

33 502 660 Product version up to 1/23/2020



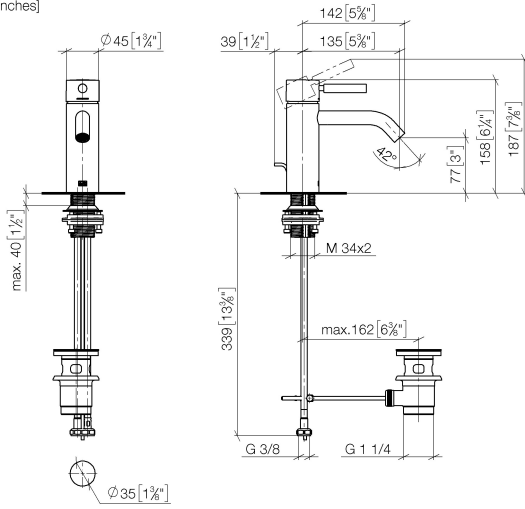
- 135mm projection
- fixed spout
- circular, air-enriched flow
- height of mixer 158 mm
- height up to aerator 77 mm
- hole diameter 35 mm
- 2x screw-in M 8 x 1 pressure hose, leak-tested
- max. flow 5.7 l/min
- lead-free
- This product can help a building meet the requirements of Green Building Rating Systems, e.g. LEED®, BREEAM®, DGNB
- WRAS

Only suitable for basins with an overflow.

|   |                           |               |
|---|---------------------------|---------------|
|    | Brushed Platinum          | 33 502 660-06 |
|    | Chrome                    | 33 502 660-00 |
|    | Dark Chrome               | 33 502 660-19 |
|    | Light Gold (PVD)          | 33 502 660-26 |
|    | Brushed Light Gold (PVD)  | 33 502 660-27 |
|    | Matte Black               | 33 502 660-33 |
|    | Brushed Gold (PVD)        | 33 502 660-37 |
|    | Brushed Dark Brass (PVD)  | 33 502 660-39 |
|    | Brushed Bronze (PVD)      | 33 502 660-42 |
|   | Brushed Dark Bronze (PVD) | 33 502 660-43 |
|  | Brushed Chrome            | 33 502 660-93 |
|  | Brushed Dark Platinum     | 33 502 660-99 |

33 502 660 Product version up to 1/23/2020

mm [inches]



**Flow rate chart**



**Codes & Standards**

DIN 4109

EN 817

ISO 3822

Scottish Water  
Byelaws

UK Water Supply  
Regulations

Ü-Zeichen



## META Single-lever basin mixer with pop-up waste - Brushed Platinum

META

33 502 660 Product version up to 1/23/2020

### Certificates and sustainability

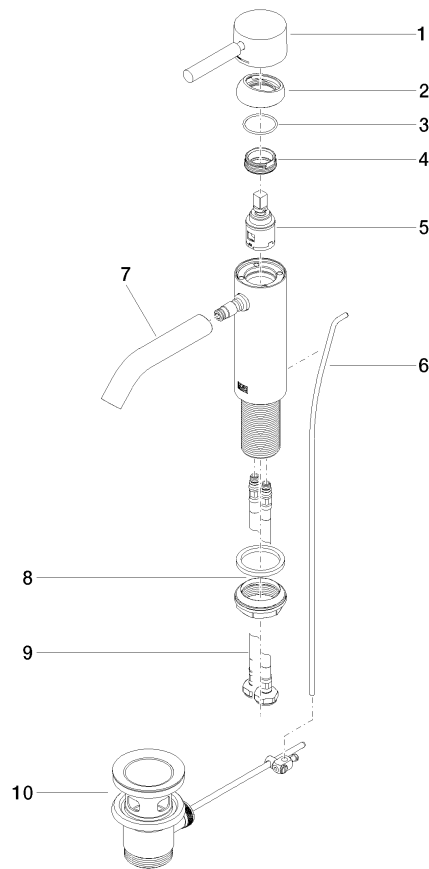
DVGW\_DW-  
6506DN0

LGA\_29

EPD-DOR-20230287 WRAS\_251102  
-IBA1-EN  
Environmental.prod  
uct-declarat

33 502 660 Product version up to 1/23/2020

Parts for other finishes can be found here: [Chrome](#)



### Spare parts list

| No. | Item Number        | Name   | Quantity used | Delivery time |
|-----|--------------------|--|---------------|---------------|
| 7   | 90 11 06 207 00-06 | Spout 90 x 145 x 35 mm, 5,68 l/min. - Brushed Platinum                       | 1.00          | 20            |
| 3   | 09 14 10 091 90    | O-Ring NBR 70 26,5 x 1,72 mm -   | 1.00          | 14            |
| 9   | 04 30 04 100 00 90 | High pressure hose M8x1 x 3/8" x 420 mm -                                    | 2.00          | 14            |
| 10  | 90 11 01 001 00-06 | Basin Waste - Brushed Platinum   | 1.00          | 20            |
| 1   | 90 20 66 002 00-06 | Handle for washstand deck mounting Lever 52 x 35 x 117 mm - Brushed Platinum | 1.00          | 20            |
| 4   | 09 24 04 266 90    | Mounting Ø 28 x 10,8 mm -  | 1.00          | 14            |
| 6   | 09 31 09 110-06    | Pull rod for pop-up waste Ø 4 x 384 mm - Brushed Platinum                    | 1.00          | 20            |
| 2   | 09 28 30 041-06    | Cover Ø 50 x 76,8 mm - Brushed Platinum                                      | 1.00          | 20            |
| 8   | 04 23 10 044 07 90 | Attachment set with seals M34 x 1 -  | 1.00          | 14            |
| 5   | 90 15 05 042 00 90 | Cartridge Ø 25 x 52 mm -   | 1.00          | 14            |