

META META PURE Wall-mounted single-lever basin mixer without pop-up waste - Brushed Platinum

META

36 860 664 Product version from 7/1/2023



- 190mm projection
- fixed spout
- circular, air-enriched flow
- hole diameter spout 37 mm
- hole diameter single-lever mixer 57 mm
- rosette for spout Ø 55mm
- rosette for mixer Ø 78mm
- max. flow 5.7 l/min
- lead-free
- This product can help a building meet the requirements of Green Building Rating Systems, e.g. LEED®, BREEAM®, DGNB
- WRAS

	Brushed Platinum	36 860 664-06
	Chrome	36 860 664-00
	Dark Chrome	36 860 664-19
	Light Gold (PVD)	36 860 664-26
	Brushed Light Gold (PVD)	36 860 664-27
	Matte Black	36 860 664-33
	Brushed Gold (PVD)	36 860 664-37
	Brushed Dark Brass (PVD)	36 860 664-39
	Brushed Bronze (PVD)	36 860 664-42
	Brushed Dark Bronze (PVD)	36 860 664-43
	Brushed Chrome	36 860 664-93
	Brushed Dark Platinum	36 860 664-99

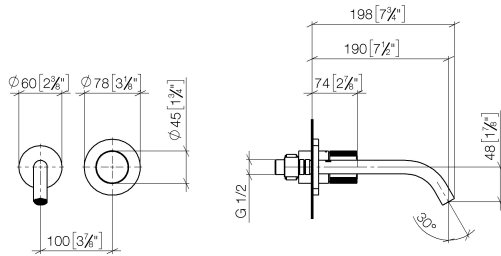
Required miscellaneous



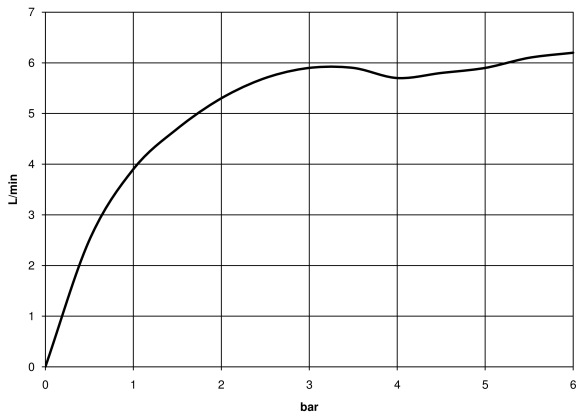
Concealed wall-mounted single-lever mixer - 35 860 970 90

- min. recess depth 75 mm
- max. recess depth 95 mm
- mixer can be placed above, to the left or to the right of the spout.

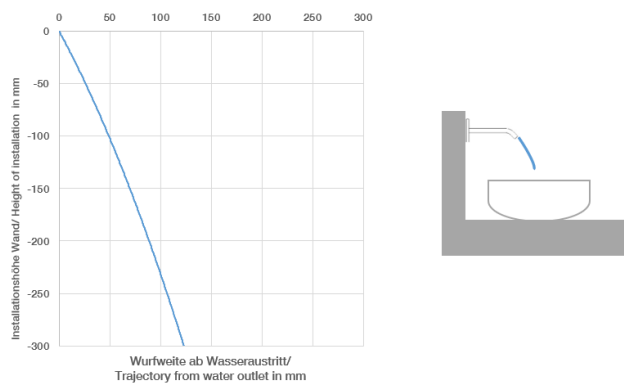
36 860 664 Product version from 7/1/2023
mm [inches]



Flow rate chart



Trajectory diagram



Codes & Standards

DIN 4109

EN 817

ISO 3822

Scottish Water
Byelaws

UK Water Supply
Regulations

Ü-Zeichen



META META PURE Wall-mounted single-lever basin mixer without pop-up waste - Brushed Platinum

META

36 860 664 Product version from 7/1/2023

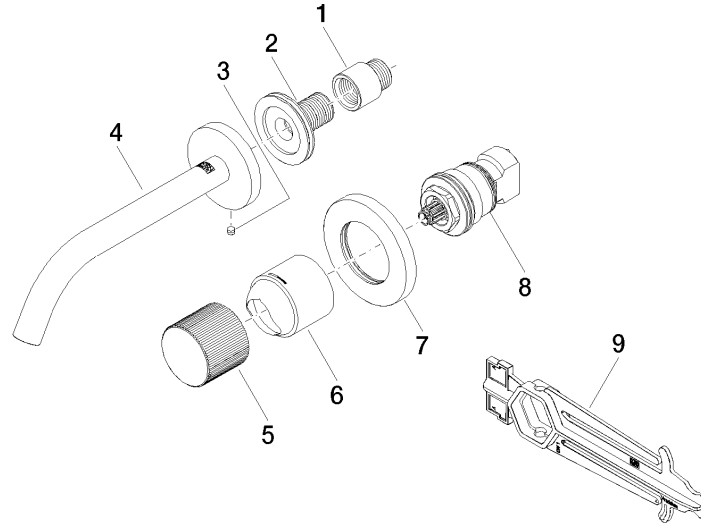
Certificates and sustainability

WRAS_2010

DVGW_DW-
6512DN0

LGA_29

EPD-DOR-20230287
-IBA1-EN
Environmental.prod
uct-declarat



Spare parts list

No.	Item Number	Name	Quantity used	Delivery time
2	90 24 03 280 00 90	Connection -	1.00	14
7	90 27 62 011 00-06	Cover Ø 78 x Ø 45,7 x 9 mm - Brushed Platinum	1.00	20
1	09 24 03 072 10 90	Extension 1/2" x 20 mm -	1.00	14
9	90 30 09 064 00 90	Spanner for cartridge nut -	1.00	14
5	09 20 66 010-06	Handle Ø 45 x 38 mm - Brushed Platinum	1.00	20
4	90 28 22 323 00-06	Spout for washstand wall mounting 190 mm, 5,68 l/min. - Brushed Platinum	1.00	20
8	90 90 03 169 02 90	Head part Temperature maintenance head part Lifetime 180° progressive with screw connection and adapter -	1.00	14
6	09 11 02 389-06	Cover with marking Ø 45 x 55 mm - Brushed Platinum	1.00	20
3	09 31 11 148 90	Mounting Threaded pin with hexagon socket with point M5 x 4 mm -	1.00	14