

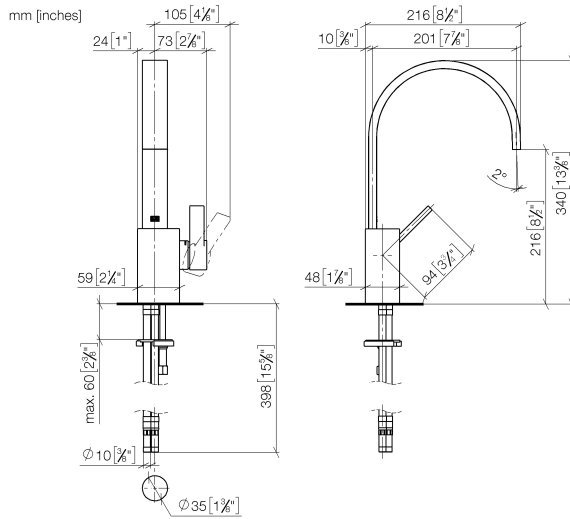
33 526 782 Product version from 3/10/2014 to 3/19/2019



- 200mm projection
- fixed spout
- rectangular, air-enriched flow
- height of mixer 340 mm
- height up to aerator 216 mm
- hole diameter 35 mm
- 2x screw-in M 10 x 1 pressure hose, leak-tested
- max. flow 5.7 l/min
- lead-free
- WRAS
- This product can help a building meet the requirements of Green Building Rating Systems, e.g. LEED®, BREEAM®, DGNB

| | | |
|---|--------------------------------|---------------|
|  | Brushed Dark Platinum | 33 526 782-99 |
|  | Chrome | 33 526 782-00 |
|  | Brushed Platinum | 33 526 782-06 |
|  | Platinum | 33 526 782-08 |
|  | Dark Chrome | 33 526 782-19 |
|  | Brushed Light Gold (PVD) | 33 526 782-27 |
|  | Brushed Durabronze (23kt Gold) | 33 526 782-28 |
|  | Brushed Gold (PVD) | 33 526 782-37 |
|  | Brushed Dark Brass (PVD) | 33 526 782-39 |
|  | Brushed Bronze (PVD) | 33 526 782-42 |
|  | Brushed Champagne (22kt Gold) | 33 526 782-46 |
|  | Champagne (22kt Gold) | 33 526 782-47 |

33 526 782 Product version from 3/10/2014 to 3/19/2019



Flow rate chart



Codes & Standards

| | | | |
|---------------------------|--------------------------------|-----------------------------|------------|
| DIN 4109 | EN 817 | Executive Order no. 1007 | ISO 3822 |
| Scottish Water Byelaws | UK Water Supply Regulations | Ü-Zeichen | VA-Zeichen |



MEM Single-lever basin mixer without pop-up waste - Brushed Dark Platinum

MEM

33 526 782 Product version from 3/10/2014 to 3/19/2019

Certificates and sustainability

ETA_18

GDV_0400

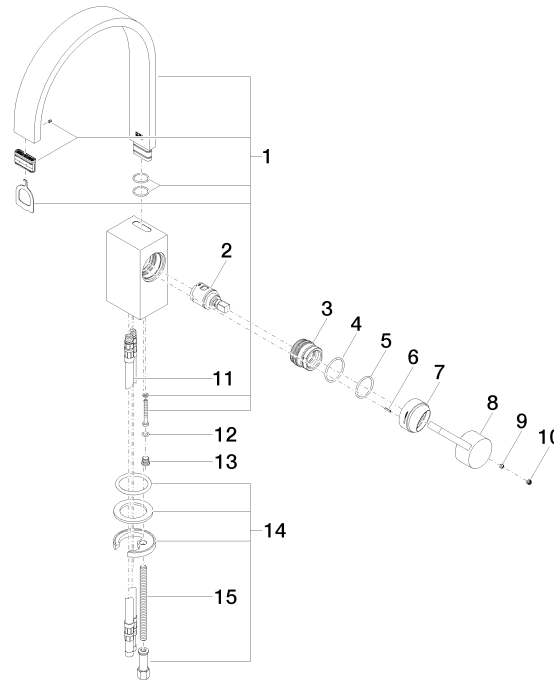
LGA_28

WRAS_240202

EPD-DOR-20230287
-IBA1-EN
Environmental.prod
uct-declarat

33 526 782 Product version from 3/10/2014 to 3/19/2019

Parts for other finishes can be found here: [Chrome](#)



Spare parts list

| No. | Item Number | Name | Quantity used | Delivery time |
|--|--------------------|--|---------------|---------------|
| 7 | 09 28 30 028-99 | Cover Ø 40 x 24 mm - Brushed Dark Platinum | 1.00 | 40 |
| 12 | 09 14 10 132 90 | O-Ring EPDM 70 6,0 x 1,5 mm - | 1.00 | 14 |
| 9 | 90 31 11 063 00 90 | Mounting Threaded pin with hexagon socket with cup point M5 x 4 mm - | 1.00 | 14 |
| 11 | 04 30 04 016 00 90 | High pressure hose M10x1 x 420 mm - | 2.00 | - |
| Spare part can no longer be ordered, please order the replacement item | | | | |
| | 0430041040090 | High pressure hose M10x1 x 3/8" x 420 mm - | | |
| 14 | 04 30 11 038 75 90 | Mounting with O-ring Ø36 x 4mm Ø 52 x 1,5 mm - | 1.00 | 14 |
| 3 | 09 24 04 288 90 | Mounting Nut Ø 34 x 26,5 mm - | 1.00 | 14 |
| 4 | 09 14 10 137 90 | O-Ring EPDM 70 29,0 x 2,0 mm - | 1.00 | 14 |
| 1 | 90 28 22 152 01-99 | Spout 200 x 35 x 11 x 235 mm, 5,68 l/min. - Brushed Dark Platinum | 1.00 | 40 |
| 6 | 09 31 11 152 90 | Roll pin Lightweight type slotted Ø 2 x 10 mm - | 1.00 | 14 |
| 8 | 09 20 78 057-99 | Handle Lever 24 x 41 x 96 mm - Brushed Dark Platinum | 1.00 | 40 |
| 10 | 90 31 20 109 00 90 | Plug - | 1.00 | 14 |
| 2 | 90 15 05 042 00 90 | Cartridge Ø 25 x 52 mm - | 1.00 | 14 |
| 15 | 09 31 11 012 90 | Mounting Threaded bolt M8 x110 mm - | 1.00 | 14 |
| 13 | 09 31 20 027 10-00 | Plug M8 x 1 - Chrome | 1.00 | 20 |
| 5 | 90 14 10 063 00 90 | O-Ring EPDM 70 26,0 x 2,0 mm - | 1.00 | 14 |