




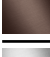



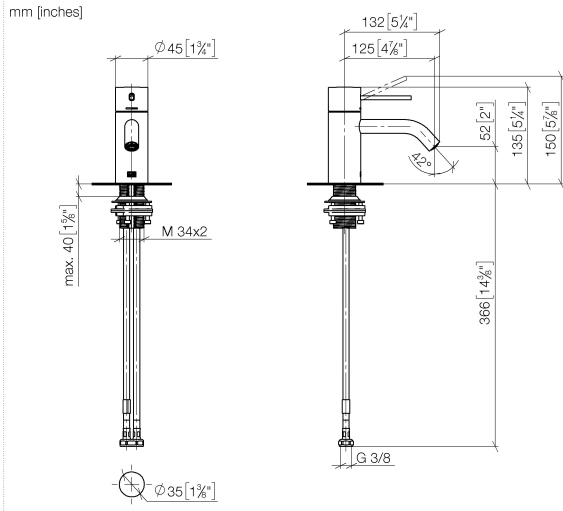
33 526 662 Product version up to 1/23/2020



- 125mm projection
- fixed spout
- circular, air-enriched flow
- height of mixer 134 mm
- height up to aerator 52 mm
- hole diameter 35 mm
- 2x screw-in M 8 x 1 pressure hose, leak-tested
- max. flow 5.7 l/min
- lead-free
- This product can help a building meet the requirements of Green Building Rating Systems, e.g. LEED®, BREEAM®, DGNB
- WRAS

	Chrome	33 526 662-00
	Brushed Platinum	33 526 662-06
	Dark Chrome	33 526 662-19
	Light Gold (PVD)	33 526 662-26
	Brushed Light Gold (PVD)	33 526 662-27
	Matte Black	33 526 662-33
	Brushed Gold (PVD)	33 526 662-37
	Brushed Dark Brass (PVD)	33 526 662-39
	Brushed Bronze (PVD)	33 526 662-42
	Brushed Dark Bronze (PVD)	33 526 662-43
	Brushed Chrome	33 526 662-93
	Brushed Dark Platinum	33 526 662-99

33 526 662 Product version up to 1/23/2020



**Flow rate chart**



**Codes & Standards**

DIN 4109

ISO 3822

Scottish Water  
Byelaws

UK Water Supply  
Regulations

**Ü-Zeichen**



## META META SLIM Single-lever basin mixer without pop-up waste - Chrome

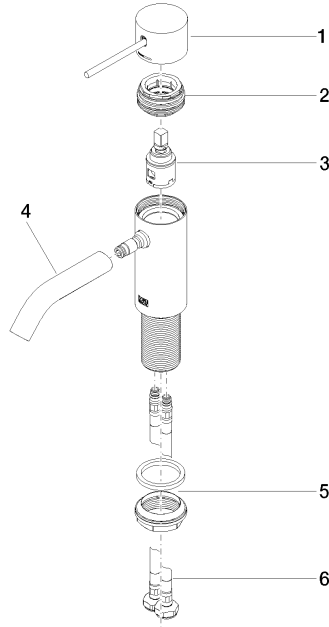
META

33 526 662 Product version up to 1/23/2020

### Certificates and sustainability

---

LGA_29	EPD-DOR-20230287 WRAS_251102 -IBA1-EN Environmental.prod uct-declarat
--------	--



**Spare parts list**

No.	Item Number	Name	Quantity used	Delivery time
5	04 23 10 044 07 90	Attachment set with seals M34 x 1 -	1.00	14
1	90 20 66 020 00-00	Handle for washstand deck mounting Kinematics Lever Ø 45 x 33 x 115 mm - Chrome	1.00	20
3	90 15 05 042 00 90	Cartridge Ø 25 x 52 mm -	1.00	14
2	90 24 04 536 00 90	Union piece Ø 58 x 23 mm -	1.00	-
Spare part can no longer be ordered, please order the replacement item				
9024045570090		Fastening nut incl. filter -		
6	04 30 04 100 00 90	High pressure hose M8x1 x 3/8" x 420 mm -	2.00	14
4	90 11 06 206 00-00	Spout 90 x 145 x 35 mm - Chrome	1.00	20