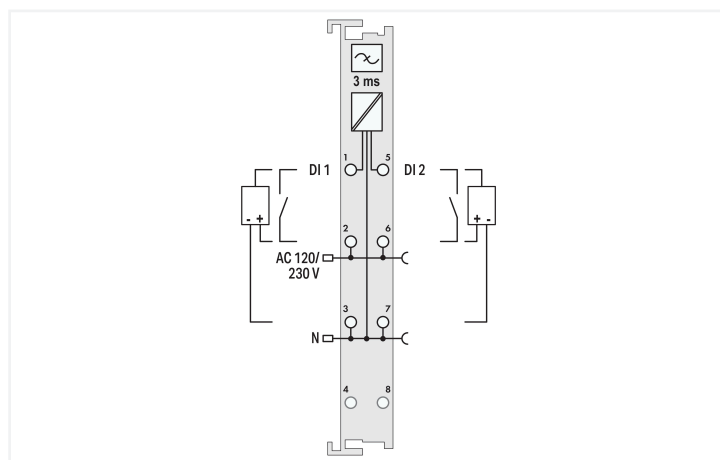
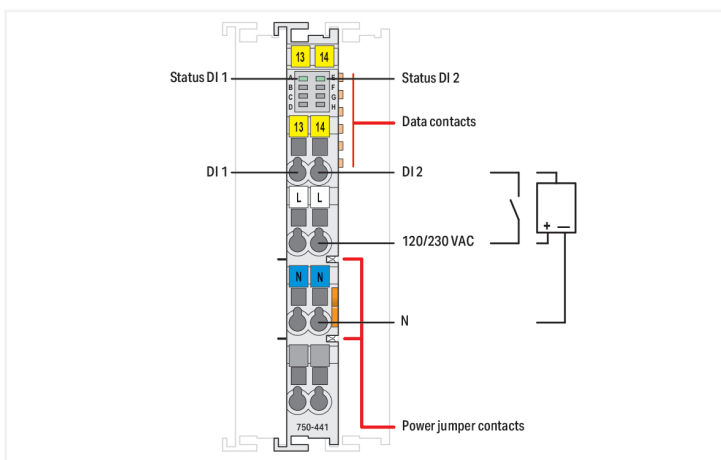
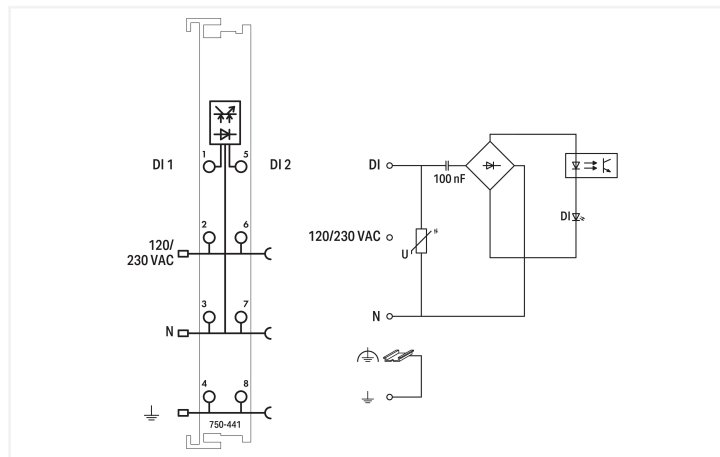
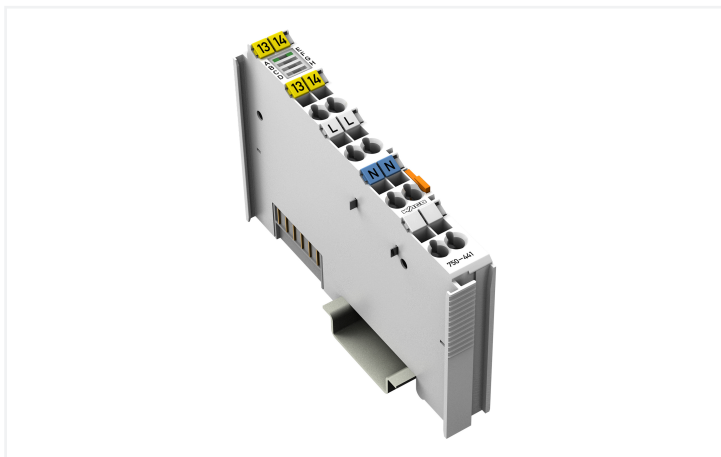


Data Sheet | Item Number: 750-441
2-channel digital input; 120/230 VAC

<https://www.wago.com/750-441>



Das Digitaleingangsmodul erfasst Steuersignale aus dem Feldbereich, z.B. über Sensoren.

Feld- und Systemebene sind galvanisch getrennt.

Achtung:

Für die Versorgung mit AC 120/230 V ist ein zusätzliches Einspeisemodul zu setzen!

Technical data

Number of digital inputs	2
Total number of channels (module)	2
Signal type	120/230 VAC
Sensor supply	AC 120/230 V
Sensor connection	2 x (2-wire, 3-wire)
Input characteristic	high-side switching
Input filter	3 ms
Input current (typ.)	8,5 mA (AC 120 V bei 50 Hz); 14,5 mA (AC 230 V bei 50 Hz); 10 mA (AC 120 V bei 60 Hz); 17,5 mA (AC 230 V bei 60 Hz)
Voltage range for signal (0)	0 ... 40 VAC at 50 Hz
Voltage range for signal (1)	79 VAC ... 1.1 x U _N
Signal frequency (min.)	45 Hz
Signal frequency (max.)	65 Hz

Technical data

Input data width (internal) max.	2 bits
Supply voltage (system)	5 VDC; via data contacts
Current consumption (5 V system supply)	6 mA
Supply voltage (field)	120 VAC (-15 ... +10 %); Via power jumper contacts (supply via blade contact; distribution via spring contact)
Indicators	LED (A, E) green: Status DI 1, DI 2
Number of incoming power jumper contacts	2
Number of outgoing power jumper contacts	2
Current carrying capacity (power jumper contacts)	10 A

Safety and protection

Protection type	IP20
System voltage	≤ 300 V
Note on system voltage	The system voltage corresponds to the line-to-neutral voltage derived from conventional mains power supply systems.
Test voltage (field/system)	3.0 kVAC; 50 ... 60 Hz, 1 min
Test voltage (field/FE)	3.0 kVAC; 50 ... 60 Hz, 1 min
Test voltage (system/FE)	775 VDC; 1 min
Overvoltage category	II
Pollution degree	2
Insulation type	Reinforced insulation (safe isolation)

Connection Data

Connection technology: I/O	6 x CAGE CLAMP®
Connectable conductor materials	Copper
Connection type	Input/output
Solid conductor	0.08 ... 2.5 mm ² / 28 ... 14 AWG
Fine-stranded conductor	0.08 ... 2.5 mm ² / 28 ... 14 AWG
Strip length	8 ... 9 mm / 0.31 ... 0.35 inches

Physical data

Width	12 mm / 0.472 inches
Height	100 mm / 3.937 inches
Depth	69.8 mm / 2.748 inches
Depth from upper-edge of DIN-rail	62.6 mm / 2.465 inches

Mechanical data

Mounting type	DIN-35 rail
Pluggable connector	fixed

Material data

Housing material	Polycarbonate; polyamide 6.6
Fire load	0.706 MJ
Weight	48.7 g
Conformity marking	CE

Environmental requirements

Ambient temperature (operation)	0 ... +55 °C
Ambient temperature (storage)	-40 ... +85 °C
Operating altitude	0 ... 2000 m / 0 ... 6562 ft
Mounting position	Horizontal left, horizontal right, horizontal top, horizontal bottom, vertical top and vertical bottom
Relative humidity (without condensation)	95 %
Vibration resistance	4g per IEC 60068-2-6
Shock resistance	15g per IEC 60068-2-27
EMC immunity to interference	per EN 61000-6-2, marine applications
EMC emission of interference	per EN 61000-6-3, marine applications
Exposure to pollutants	per IEC 60068-2-42 and IEC 60068-2-43
Permissible H ₂ S contaminant concentration at a relative humidity 75 %	10 ppm
Permissible SO ₂ contaminant concentration at a relative humidity 75 %	25 ppm

Commercial data

PU (SPU)	1 pcs
Packaging type	Box
Country of origin	DE
GTIN	4066966586794
Customs tariff number	85176200000


Product Classification

UNSPSC	32151705
ETIM 9.0	EC001599
ETIM 10.0	EC001599
ECCN	NO US CLASSIFICATION

Environmental Product Compliance

RoHS Compliance Status	Compliant,With Exemption
RoHS Exemption	6(c) 7(a) 7(c)-I 7(c)-II

Approvals / Certificates

General approvals			Declarations of conformity and manufacturer's declarations		
Approval	Standard	Certificate Name	Approval	Standard	Certificate Name
			EU-Declaration of Conformity	-	-
UL	-	E175199	WAGO GmbH & Co. KG		
Underwriters Laboratories Inc. (ORDINARY LOCATIONS)			UK-Declaration of Conformity	-	-
			WAGO GmbH & Co. KG		

Approvals for hazardous areas

PTB
0102



IECEX



Approval	Standard	Certificate Name
ATEX TUEV Nord Cert GmbH	EN 60079-0	TUEV14ATEX148929X (II 3 G Ex ec IIC T4 Gc)
IECEX TUEV Nord Cert GmbH	IEC 60079-0	IECEX TUN 14.0035 X (Ex ec IIC T4 Gc)
UL Underwriters Laboratories Inc. (HAZARDOUS LOCA- TIONS)	UL 121201	E198726

Subject to changes. Please also observe the further product documentation!

Current addresses can be found at: www.wago.com