

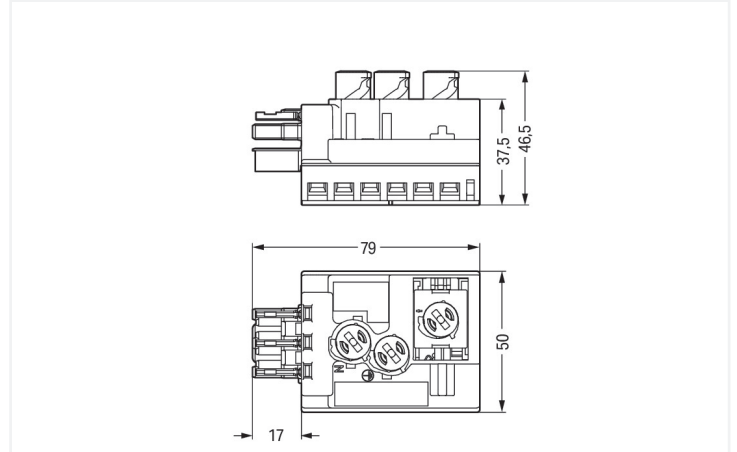
Data Sheet | Item Number: 772-269

Tap-off module; for flat cable; 5 x 2.5 mm² + 2 x 1.5 mm²; 3-pole; Cod. P; with cable connection on the output side; red

<https://www.wago.com/772-269>



Color: ■ red



Dimensions in mm

Tap-off module *WINSTA*® IDC with protection type IP20

The *WINSTA*® IDC tap-off module rated current 25 A supports fast, reliable installation. Whether on PCBs, in control cabinets or for connecting lights – pluggable installation connectors from WAGO allow you to make connections according to various requirements in next to no time. The mechanical coding and color coding of the pluggable installation connector ensure error-free installation of the individual components – including protection against mismatching. The pluggable installation connector is protected against ingress by solid objects in accordance with protection type IP20 (When mated: IP2xC (These compact connectors are not designed for use in open, easily accessible areas!)). *WINSTA*® IDC pluggable installation connectors with P coding allow proper implementation of an uninterruptible power supply (UPS). This pluggable installation connector can be used for electrical currents up to 25 A. Thus the product is especially suitable for high power loads.

Lower costs through fast commissioning and elimination of service expenses – solutions from *WINSTA*® IDC

The *WINSTA*® Pluggable Connection System is perfectly tailored to the strict requirements of building installation. It makes electrical installation pluggable, and thus more efficient, more reliable, and error-free. Use of this pre-assembled system decreases assembly times and installation errors at the construction site. Take advantage of the pluggable version of our maintenance-free spring pressure connection technology too! Plan your installation with with protection against mismatching from WAGO.

- pluggable installation connectors with protection against mismatching
- products perfectly tailored to your requirements guarantee safe use
- with P coding for uninterruptible power supply
- custom-engineered solutions
- convenient installation and commissioning

Electrical data

Ratings per	IEC/EN 60664-1		
Overvoltage category	III	III	II
Pollution degree	3	2	2
Nominal voltage	400 V	-	-
Rated impulse withstand voltage	6 kV	-	-
Rated current	25 A	-	-

General information

Note on contact resistance	approx. 1 mΩ of contact resistance approx. 0.25 mΩ contact transition plug/ socket
----------------------------	--

Connection Data

Total number of potentials 3

Connection 1

Connection technology IDC connection

Actuation type Operating tool

Pole number 3

Physical data

Width 49 mm / 1.929 inches

Height 46.5 mm / 1.831 inches

Depth 79 mm / 3.11 inches

Mechanical data

Use EDV (UPS)

Coding P

Variable coding No

Marking L ⊕ N

Potential marking L ⊕ N

Retention force of a plug-in connection When locked: > 80 N

Number of mating cycles 200, without resistive load

Protection type IP20; When mated: IP2xC (These compact connectors are not designed for use in open, easily accessible areas!)

Suitable for flat cable 5 x 2.5 mm², 5 x 4 mm², 5 x 2.5 mm² + 2 x 1.5 mm²

Plug-in connection

Mismating protection Yes

Note on mismating protection All *WINSTA*® components are 100% protected against mismating when:
 a.) plugging different numbers of poles
 b.) plugging while rotated 180
 c.) plugging while laterally staggered
 d.) plugging one pole

Locking of plug-in connection Locking lever

Note on locking system All connectors for mounted installations (snap-in versions for lighting fixtures or devices, all types of PCB and distribution connectors) are factory-equipped with locking levers to ensure plugs and sockets are securely locked. Additional locking levers are only required for flying leads (plug/socket).

Material data

Note (material data) [Information on material specifications can be found here](#)

Color red

Insulation material (main housing) Polyamide (PA66)

Flammability class per UL94 V0

Contact material Copper or copper alloy; surface-treated

Contact Plating Tin

Fire load 1.9 MJ

Weight 69.7 g

Environmental requirements	
Processing temperature	-5 ... +40 °C
Continuous operating temperature	-35 ... +85 °C
Note on continuous operating temperature	Cable for temperatures ≤ 70 °C (including halogen-free) Flat cable for temperatures -15 °C to ≤ 70 °C (including halogen-free) Insulating parts for temperatures ≤ 105 °C

Commercial data	
Product Group	20 (Winsta)
PU (SPU)	10 pcs
Packaging type	Box
Country of origin	DE
GTIN	4045454599539
Customs tariff number	85366990990

Product Classification	
UNSPSC	39121406
eCl@ss 10.0	27-44-06-01
eCl@ss 9.0	27-44-06-01
ETIM 9.0	EC002588
ETIM 10.0	EC002588
ECCN	NO US CLASSIFICATION

Environmental Product Compliance	
RoHS Compliance Status	Compliant, No Exemption

Approvals / Certificates

Declarations of conformity and manufacturer's declarations

Approval	Standard	Certificate Name
EU-Declaration of Confor- mity WAGO GmbH & Co. KG	-	-

Downloads

Environmental Product Compliance

Compliance Search	
Environmental Product Compliance 772-269	↓

Documentation

Bid Text

772-269	09.01.2015	doc 22.50 KB	
772-269	19.02.2019	xml 2.86 KB	

CAD/CAE-Data

CAE data

WSCAD Universe 772-269	
---------------------------	--

1 Compatible Products

1.1 System counterpart

1.1.1 Cable assembly



Item No.: 771-9973/206-101

pre-assembled connecting cable; Eca; Plug/open-ended; 3-pole; Cod. P; H05VV-F 3G 1.5 mm²; 1 m; 1,50 mm²; red

Item No.: 771-9973/006-101

pre-assembled interconnecting cable; Eca; Socket/plug; 3-pole; Cod. P; H05VV-F 3G 1.5 mm²; 1 m; 1,50 mm²; red

1.1.2 Male connector/plug



Item No.: 770-1313

Plug; 3-pole; Cod. P; red

1.2 Required Accessories

1.2.1 Cover

1.2.1.1 Cover



Item No.: 770-201

Lockout cap; 12-pole, separable; for sockets; Plastic; black



Item No.: 770-221

Lockout cap; 12-pole, separable; for sockets; Plastic; white

1.2.2 Installation

1.2.2.1 Mounting accessories



Item No.: 772-260

Mounting plate; for power supply and tap-off modules; Plastic; black

1.3 Optional Accessories

1.3.1 Cables and connectors

1.3.1.1 Flat cable



Item No.: 897-252

Flat cable; B2ca; 5G 2.5 mm²; halogen-free; 3L + N + PE; 0.6/1 kV; 2,50 mm²; green



Item No.: 897-262

Flat cable; Cca; 5G 2.5 mm² + 2 x 1.5 mm²; halogen-free; 3L + N + PE + 2 buses; 0.6/1 kV; 2,50 mm²; violet



Item No.: 897-261

Flat cable; Eca; 5G 2.5 mm² + 2 x 1.5 mm²; PVC; 3L + N + PE + 2 buses; 0.6/1 kV; 2,50 mm²; violet



Item No.: 897-251

Flat cable; Eca; 5G 2.5 mm²; PVC; 3L + N + PE; 0.6/1 kV; 2,50 mm²; green



Item No.: 897-453

Flat cable; Eca; 5G 4 mm²; halogen-free; 3L + N + PE; 0.6/1 kV; 4,00 mm²; black

1.3.2 Tool

1.3.2.1 Operating tool



Item No.: 210-635

Operating tool; Blade: 6.5 x 1.2 mm; multi-coloured



Item No.: 210-636

Operating tool; Blade: 6.5 x 1.2 mm; with a partially insulated shaft; multicoloured

Installation Notes

Conductor termination



Insert flat cable into base (observe coding!).



Mount IDC module flush with the base.

Should the IDC module jam during mounting, turn the upper part by 180° and re-mount it.



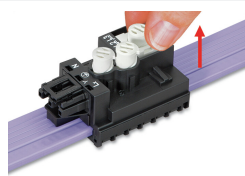
Screw down contact elements to the stop.



After connecting the flat cable, the IDC module is locked and can no longer be moved, even after unscrewing the contact element.



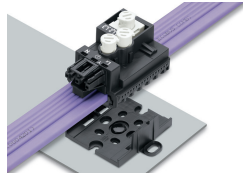
Notice: Should it be necessary to tap another phase, this must be done in a different location. To do so, the contact elements must be unscrewed and brought back to their original position.



Lift contact element to unlock phase selector and select the new phase.

Notice: Do not reuse in the same location of the flat cable.

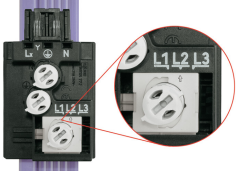
Installation



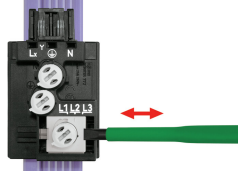
The mounting plate can be centrally mounted, or attached via outboard attachment points using 770-601 Mounting Pins.

Snapping a supply or tap-off module onto a mounting plate.

Application



The phase selector is in position L2 (center) when delivered.



Move the phase selector into position L1 or L3 if required.

Security



Use insulating tape to seal the contact holes in the flat cable after removing a module.