

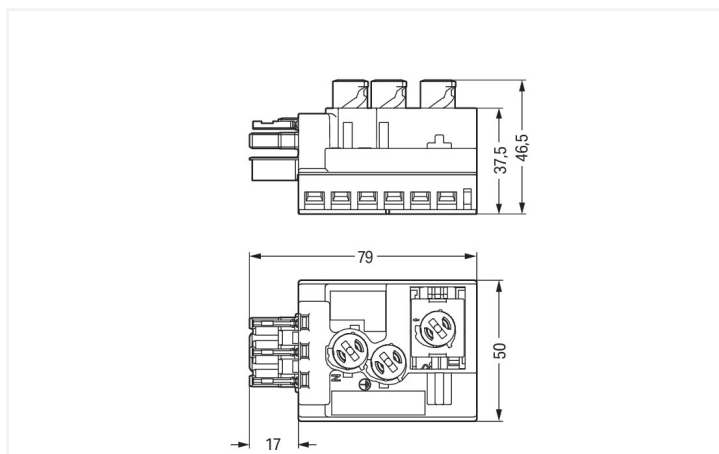
Data Sheet | Item Number: 772-266/060-000

Tap-off module; for flat cable; 5 x 2.5 mm² + 2 x 1.5 mm²; 3-pole; Cod. B; with cable connection on the output side; gray

<https://www.wago.com/772-266/060-000>



Color: ■ gray



Dimensions in mm

Tap-off module WINSTA® IDC 3-pole

The WINSTA® IDC tap-off module rated current 25 A is the pluggable solution for your use in control cabinets, on PCBs or for lighting connections. Our pluggable installation connectors with spring pressure connection technology work completely without screw connections. They allow resource-efficient, error-free installation in numerous possible uses. For greater protection in electrical installations, the pluggable installation connector is equipped with mechanical protection against mismatching. The pluggable installation connector offers protection against contact with live components in accordance with protection type IP20 (When mated: IP2xC (These compact connectors are not designed for use in open, easily accessible areas!)). Pluggable installation connectors with B coding from the WINSTA® IDC line are available in pink, light green, or gray, allowing you to distinguish different circuits, for example for light, pumps or sun blinds. Usage-specific pole marking is possible as well. This pluggable installation connector is designed for a current load of up to 25 A. Thus, it can also be used for high power loads.

Push-in CAGE CLAMP® spring pressure connection technology – pluggable installation instead of laborious screw connections!

WINSTA® is the pluggable connection system that is ideally tailored to the strict requirements of electrical installation. It offers fast, secure and, above all, error-free installation of components and cables. Now you can also cut installation costs without compromising safety and quality: with protection type IP20 eliminates the need for servicing and prevents unnecessary downtime.

- pluggable installation connectors with protection against mismatching
- products perfectly tailored to your requirements guarantee safe use
- with B coding for use in automation of processes, such as lighting technology, among other examples
- ready for immediate use
- quick replacement of defective units during ongoing operation

Electrical data

Ratings per	IEC/EN 60664-1		
Overvoltage category	III	III	II
Pollution degree	3	2	2
Nominal voltage	400 V	-	-
Rated impulse withstand voltage	6 kV	-	-
Rated current	25 A	-	-

General information

Note on contact resistance	approx. 1 mΩ of contact resistance approx. 0.25 mΩ contact transition plug/ socket
----------------------------	--

Connection Data

Total number of potentials	3	Connection 1	
		Connection technology	IDC connection
		Actuation type	Operating tool
		Pole number	3

Physical data

Width	49 mm / 1.929 inches
Height	46.5 mm / 1.831 inches
Depth	79 mm / 3.11 inches

Mechanical data

Use	Control technology
Coding	B
Variable coding	Yes
Marking	L ⊕ N
Potential marking	L ⊕ N
Retention force of a plug-in connection	When locked: > 80 N
Number of mating cycles	200, without resistive load 100, with resistive load $I_N = 25$ A, tested (4 mm ²)
Protection type	IP20; When mated: IP2xC (These compact connectors are not designed for use in open, easily accessible areas!)
Suitable	for flat cable 5 x 2.5 mm ² , 5 x 4 mm ² , 5 x 2.5 mm ² + 2 x 1.5 mm ²

Plug-in connection

Mismating protection	Yes
Note on mismating protection	All WINSTA® components are 100% protected against mismating when: a.) plugging different numbers of poles b.) plugging while rotated 180 c.) plugging while laterally staggered d.) plugging one pole
Locking of plug-in connection	Locking lever
Note on locking system	All connectors for mounted installations (snap-in versions for lighting fixtures or devices, all types of PCB and distribution connectors) are factory-equipped with locking levers to ensure plugs and sockets are securely locked. Additional locking levers are only required for flying leads (plug/socket).

Material data

Note (material data)	Information on material specifications can be found here
Color	gray
Insulation material (main housing)	Polyamide (PA66)
Flammability class per UL94	V0
Contact material	Copper or copper alloy; surface-treated
Contact Plating	Tin
Fire load	1.911 MJ
Weight	70.1 g

Environmental requirements

Processing temperature	-5 ... +40 °C
Continuous operating temperature	-35 ... +85 °C
Note on continuous operating temperature	Cable for temperatures ≤ 70 °C (including halogen-free) Flat cable for temperatures -15 °C to ≤ 70 °C (including halogen-free) Insulating parts for temperatures ≤ 105 °C

Commercial data

PU (SPU)	10 pcs
Packaging type	Box
Country of origin	DE
GTIN	4050821585794
Customs tariff number	85366990990

Product Classification

UNSPSC	39121421
eCl@ss 10.0	27-44-06-01
eCl@ss 9.0	27-44-06-01
ETIM 9.0	EC002588
ETIM 10.0	EC002588
ECCN	NO US CLASSIFICATION

Environmental Product Compliance

RoHS Compliance Status	Compliant, No Exemption
------------------------	-------------------------

Approvals / Certificates

Declarations of conformity and manufacturer's declarations

Approval	Standard	Certificate Name
EU-Declaration of Conformity WAGO GmbH & Co. KG	-	-

Downloads

Environmental Product Compliance

Compliance Search	
Environmental Product Compliance 772-266/060-000	

Documentation

Bid Text

772-266/060-000	09.01.2015	doc 22.50 KB	
772-266/060-000	19.02.2019	xml 2.87 KB	

CAD/CAE-Data

CAE data

WSCAD Universe 772-266/060-000	
-----------------------------------	--

1 Compatible Products

1.1 System counterpart

1.1.1 Male connector/plug



[Item No.: 770-253/060-000](#)

Plug; 3-pole; Cod. B; 4,00 mm²; gray

1.2 Required Accessories

1.2.1 Cover

1.2.1.1 Cover



[Item No.: 770-201](#)

Lockout cap; 12-pole, separable; for sockets; Plastic; black



[Item No.: 770-221](#)

Lockout cap; 12-pole, separable; for sockets; Plastic; white

1.2.2 Installation

1.2.2.1 Mounting accessories



[Item No.: 772-260](#)

Mounting plate; for power supply and tap-off modules; Plastic; black

1.3 Optional Accessories

1.3.1 Cables and connectors

1.3.1.1 Flat cable

Item No.: 897-252

Flat cable; B2ca; 5G 2.5 mm²; halogen-free; 3L + N + PE; 0.6/1 kV; 2,50 mm²; green

Item No.: 897-262

Flat cable; Cca; 5G 2.5 mm² + 2 x 1.5 mm²; halogen-free; 3L + N + PE + 2 buses; 0.6/1 kV; 2,50 mm²; violet

Item No.: 897-261

Flat cable; Eca; 5G 2.5 mm² + 2 x 1.5 mm²; PVC; 3L + N + PE + 2 buses; 0.6/1 kV; 2,50 mm²; violet

Item No.: 897-251

Flat cable; Eca; 5G 2.5 mm²; PVC; 3L + N + PE; 0.6/1 kV; 2,50 mm²; green

Item No.: 897-453

Flat cable; Eca; 5G 4 mm²; halogen-free; 3L + N + PE; 0.6/1 kV; 4,00 mm²; black

1.3.2 Tool

1.3.2.1 Operating tool

Item No.: 210-635

Operating tool; Blade: 6.5 x 1.2 mm; multi-coloured

Item No.: 210-636

Operating tool; Blade: 6.5 x 1.2 mm; with a partially insulated shaft; multicoloured

Installation Notes

Conductor termination



Insert flat cable into base (observe coding!).



Mount IDC module flush with the base.
Should the IDC module jam during mounting, turn the upper part by 180° and re-mount it.



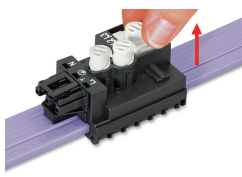
Screw down contact elements to the stop.



After connecting the flat cable, the IDC module is locked and can no longer be moved, even after unscrewing the contact element.



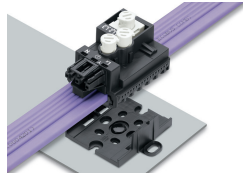
Notice: Should it be necessary to tap another phase, this must be done in a different location. To do so, the contact elements must be unscrewed and brought back to their original position.



Lift contact element to unlock phase selector and select the new phase.

Notice: Do not reuse in the same location of the flat cable.

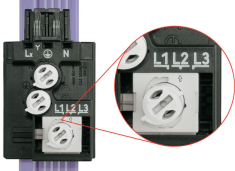
Installation



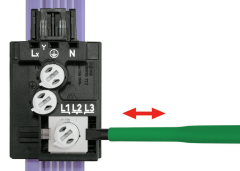
The mounting plate can be centrally mounted, or attached via outboard attachment points using 770-601 Mounting Pins.

Snapping a supply or tap-off module onto a mounting plate.

Application



The phase selector is in position L2 (center) when delivered.



Move the phase selector into position L1 or L3 if required.

Security



Use insulating tape to seal the contact holes in the flat cable after removing a module.