

Technische Daten/ Technical Data

KLUDI A-QA
head shower 1 S
250mm
DN 15

Ref.: 6432505-00

Finishes:
05 chrome

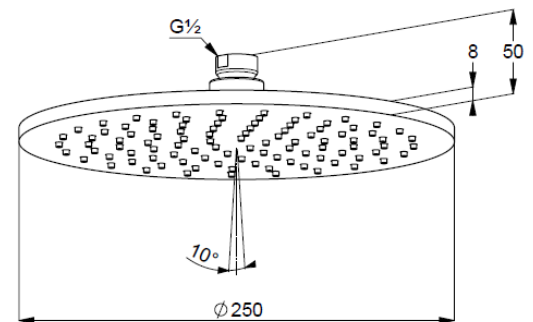
Product description
Manufacturer KLUDI GmbH & Co. KG
Typ: KLUDI A-QA
head shower 1 S
250mm
Ref.: 6432505-00

head shower 1 S
1 spray pattern
with cleaning system
flow rate at 3 bar 23 l/min.
connection G1/2
with ball joint
Ø 250mm
sieve seal

Produktabbildung/ Product picture



Maßzeichnung/ Dimensional drawing



Durchfluss/ Flow rate

