



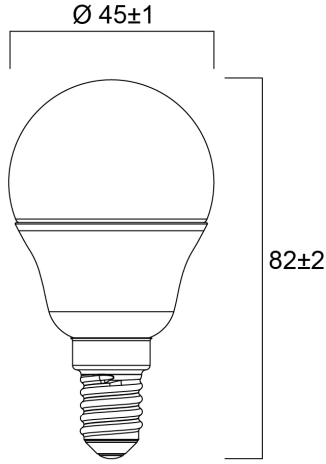
### Features

- Compact and elegant design Suitable replacement for halogen, incandescent and compact fluorescent ball lamps Instant light at the flick of a switch Uniform light distribution Good colour rendering (CRI 80) Perfect for hotels, restaurants, lobbies, corridors, stairwells, reception areas Lower maintenance costs 15,000 hours average rated life

### Product Overview

Product name	ToLEDo Ball V7 470LM 865 E14 SL
Technology	LED
Watt (Rated) (W)	4.5
Cap/Base	E14
Fixture rating	Open
E-number FI	4741013
Colour temperature (K)	6500
CRI (Ra)	80
Colour Variation Initial (SDCM)	6
Photobiological Risk Group	RG0
Wattage (W)	4.5
Product EAN number	5410288296272
Warranty	3 years

## Technical drawings



## Data table

### GENERAL DATA

Product name	ToLEDo Ball V7 470LM 865 E14 SL
Technology	LED
Watt (Rated) (W)	4.5
Cap/Base	E14
Fixture rating	Open
Operating temperature range (°C)	-20°C...+40°C
Performance ambient temperature Tq (°C)	25
E-number FI	4741013
Warranty	3 years

### OPTICAL DATA

Luminous flux (Rated) (lm)	470
----------------------------	-----

## ToLEDo Ball V7 470LM 865 E14 SL 0029627

Colour temperature (K)	6500
CRI (Ra)	80
Colour Variation Initial (SDCM)	6
Photobiological Risk Group	RG0
Lumen maintenance at end of nominal life (%)	70

### ELECTRICAL DATA

Wattage (W)	4.5
Equivalent watt (W)	40
Primary Supply/Product voltage - min (V)	220
Control gear required	No
Inrush Current (A)	2.4
Inrush Duration ( $\mu$ s)	420
Lamp Energy Label (class)	F
Nominal Frequency (Hz)	50/60Hz

### LIFETIME DATA

Lifespan L70 B50	15000
Average life (Rated) (h)	15000

### PHYSICAL DATA

Nominal Product Length (mm)	82
Nominal Product Diameter (mm)	45
Weight (kg)	0.018

### PACKAGING

Single packaging type	Carton
Product EAN number	5410288296272
Packaging single width (cm)	5.0
Packaging single depth (cm)	9.5
DUN14 (outer)	15410288296279
Packaging outer length / height (cm)	15.8

# SYLVANIA

ToLEDo Ball V7 470LM 865 E14 SL  
0029627

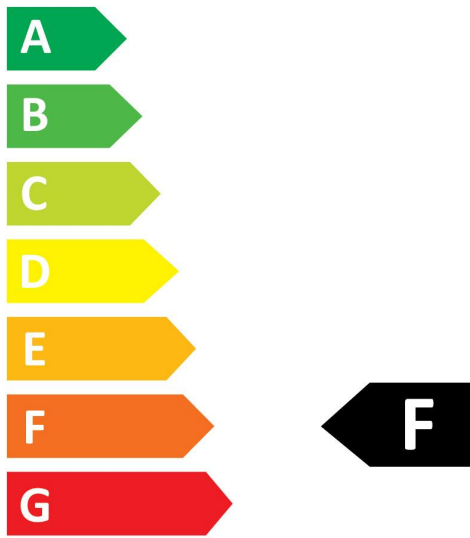
## SAFETY DATA

Optimal operating condition (°C)	-20-40
Breakage cleaning instructions	Not applicable
Special purpose lamp	No
Dry applications use only	No
Suitable for household illumination	No
Safety message	Not Suitable for totally enclosed fixtures

## Energy label



0029627



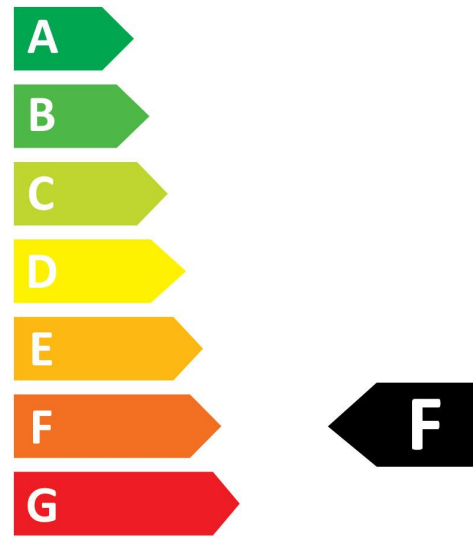
5  
kWh/1000h



2019/2015



0029627



5  
kWh/1000h



2019/2015

Light your world