

Product data sheet Spirotech

Product name

ETCM Duo-1 max 8,4bar

Product properties

The TopControl Modular DUO is an automatic expansion and pressure-maintaining device. The unit contains 2 VFD pumps (2x 50%) and an electronically controlled overflow valve. A separate EP storage tank is required.

- 2 VFD pumps (2x 50%)
- 1 electronically controlled overflow valve (1x 100%)
- At least 1 unpressurized expansion vessel needs to be added
- Operational pressure range up to 8.4 to 23.5 bar
- The maximum temperature at the point of connection: 70°C (over 70°C possible with auxiliary tank)
- Maximum safety temperature in the system: 110°C
- Maximum operating pressure (PN): 10 to 25 bar

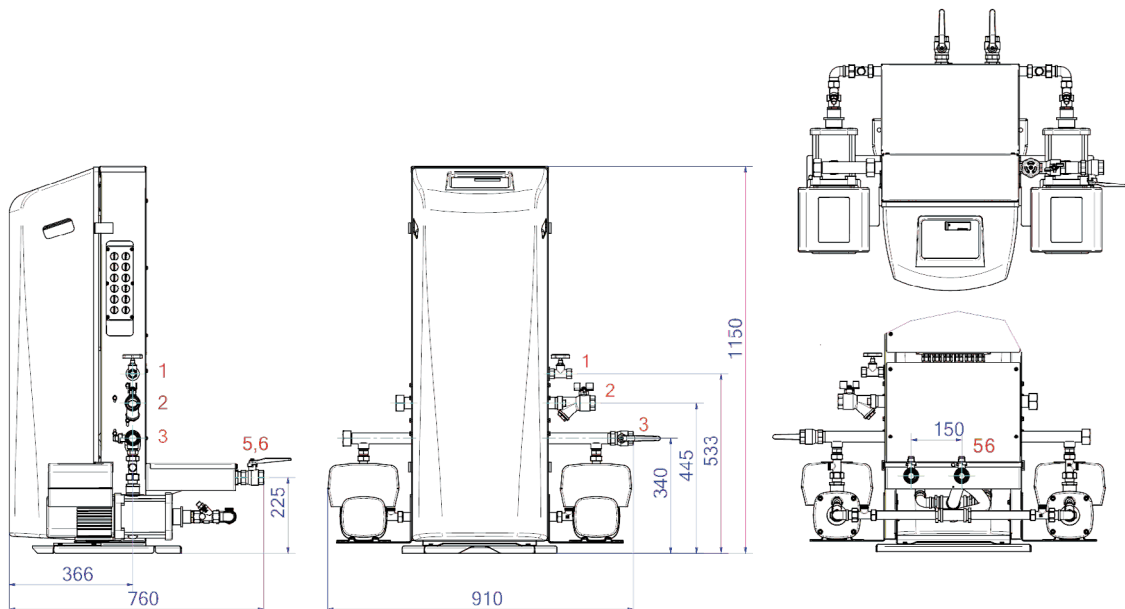
Article number

ETCM-D1-8.4

Product image



Product dimensions



1. Refill connection	Rp1/2	5. Suction line from expansion vessel	Rp1
2. Expansion overflow pipe	Rp1	6. Overflow line to the expansion tank	Rp1
3. Expansion pressure pipe	Rp1		

Product data sheet Spirotech

ETIM product data

Height	1150 mm
Max. operating pressure	8.4 bar
Connection	Other
Power consumption	2.4 kW
Couplable	Yes
Electrical connection	Connection cable with plug
Function master/slave	No
With pressure expansion vessel	No
Digital control unit	Yes

Double pump	Yes
With exchangeable membrane	No
Compressor in base	No
Nominal diameter expansion connection	1 inch (25)
Max. medium temperature (continuous)	70 °C
For heating systems up to	1 MW
Horizontal positioning	No
Connection voltage	230 V
Article compression class	PN 10

Disclaimer

This product sheet has been compiled with the greatest possible care. Nevertheless, it may contain errors or omissions. For the most current and correct information we refer you to our website

