

20 710 882 Product version from 6/30/2009 to 6/25/2021



- 135mm projection
- pivotable spout 360°
- circular, air-enriched flow
- height of mixer 270 mm
- height up to aerator 161 mm
- hole diameter valve 32 mm
- hole diameter spout 35 mm
- rosette Ø 55 mm
- 2x screw-in M 10 x 1 pressure hose, leak-tested
- max. flow 7 l/min
- lead-free
- WRAS
- This product can help a building meet the requirements of Green Building Rating Systems, e.g. LEED®, BREEAM®, DGNB

Only suitable for basins with an overflow.

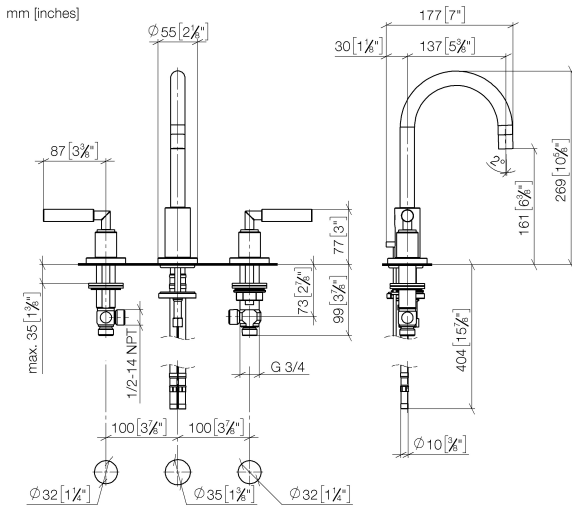
	Platinum	20 710 882-08
	Chrome	20 710 882-00
	Brushed Platinum	20 710 882-06
	Dark Chrome	20 710 882-19
	Brushed Durabronze (23kt Gold)	20 710 882-28
	Matte Black	20 710 882-33
	Brushed Gold (PVD)	20 710 882-37
	Brushed Dark Brass (PVD)	20 710 882-39
	Brushed Bronze (PVD)	20 710 882-42
	Brushed Dark Bronze (PVD)	20 710 882-43
	Brushed Champagne (22kt Gold)	20 710 882-46
	Champagne (22kt Gold)	20 710 882-47
	Brushed Chrome	20 710 882-93
	Brushed Dark Platinum	20 710 882-99

### Recommended miscellaneous

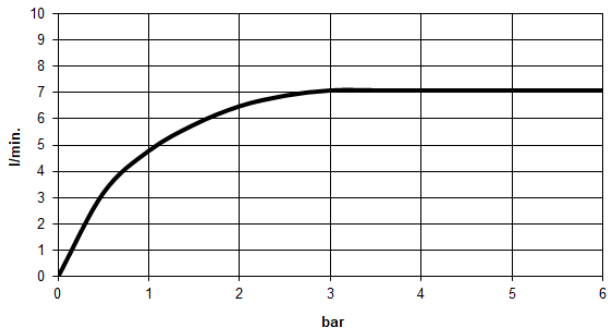


**High pressure hoses -** 12 506 970 90  
 • 2x 3/8" x 1/2" x 500mm high pressure hose

20 710 882 Product version from 6/30/2009 to 6/25/2021



**Flow rate chart**



**Codes & Standards**

DIN 4109	EN 200	Executive Order no. 1007	ISO 3822
Scottish Water Byelaws	UK Water Supply Regulations	Ü-Zeichen	VA-Zeichen
XP P 41-280			



## TARA Three-hole basin mixer with pop-up waste - Platinum

TARA

20 710 882 Product version from 6/30/2009 to 6/25/2021

### Certificates and sustainability

LGA\_18

ETA\_18

WRAS\_2212

ACS\_20 ACC LY

GDV\_0400

EPD-DOR-20230287  
-IBA1-EN  
Environmental.prod  
uct-declarat

