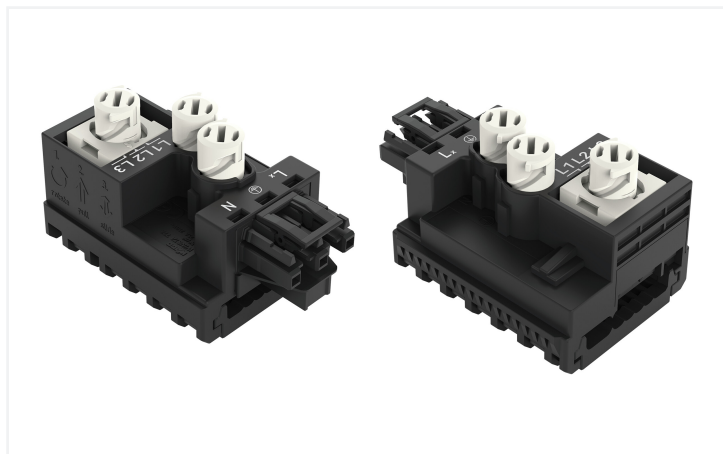


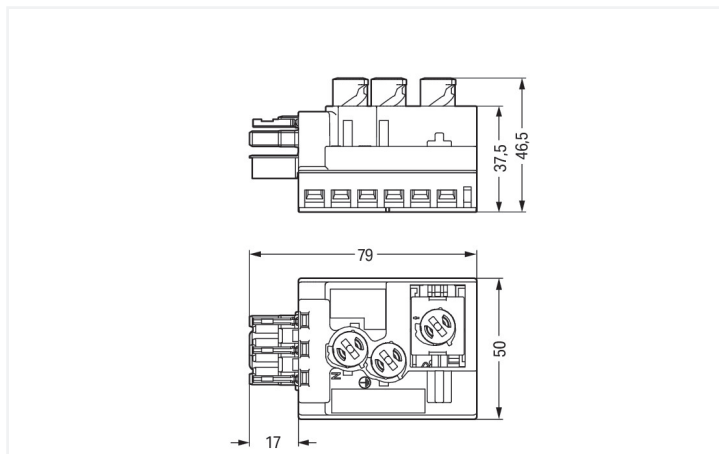
## Data Sheet | Item Number: 772-263

Tap-off module; for flat cable; 5 x 2.5 mm<sup>2</sup> + 2 x 1.5 mm<sup>2</sup>; 3-pole; Cod. A; with cable connection on the output side; black

<https://www.wago.com/772-263>



Color: ■ black



Dimensions in mm

Tap-off module *WINSTA*® IDC with protection against mismatching

The *WINSTA*® IDC tap-off module rated current 25 A supports rapid, correct installation. WAGO pluggable installation connectors are useful when criteria repeat or are planned on a defined pattern, for example for installing grid lighting or flush-mount lighting. The coding options reduce installation errors, allowing fast, secure wiring of all components. The pluggable installation connector is protected in accordance with protection type IP20 (When mated: IP2xC (These compact connectors are not designed for use in open, easily accessible areas!)). That results in the fact that users' fingers will never come into contact with live elements. Standard mains applications for almost any domain of use can be realised with *WINSTA*® IDC pluggable installation connectors with A coding. The rated current and voltage are important criteria for selecting a pluggable installation connector: They provide information about possible domains of use and applications. This product has a current rating of 25 A – therefore it is also suitable for powerful loads.

*WINSTA*® IDC solutions for your electrical installation – protected against mismatching and maintenance-free

The *WINSTA*® Pluggable Connection System allows pluggable electrical installation. This saves time, lowers costs, and reduces the need for servicing. Now you can also cut installation expenses without compromising safety and quality: with protection type IP20 reduces the need for servicing and prevents unnecessary downtime.

- pluggable installation connectors with protection against mismatching
- saves time, since no wiring is required at the construction site
- with A coding for use in a large number of general mains applications
- custom-engineered solutions
- convenient installation and commissioning

### Electrical data

Rated per	IEC/EN 60664-1		
Overvoltage category	III	III	II
Pollution degree	3	2	2
Nominal voltage	400 V	-	-
Rated impulse withstand voltage	6 kV	-	-
Rated current	25 A	-	-

### General information

Note on contact resistance	approx. 1 mΩ of contact resistance approx. 0.25 mΩ contact transition plug/ socket
----------------------------	--

## Connection Data

Total number of potentials	3	<b>Connection 1</b>	
		Connection technology	IDC connection
		Actuation type	Operating tool
		Pole number	3

## Physical data

Width	49 mm / 1.929 inches
Height	46.5 mm / 1.831 inches
Depth	79 mm / 3.11 inches

## Mechanical data

Use	General mains applications
Coding	A
Variable coding	Yes
Marking	L ⊕ N
Potential marking	L ⊕ N
Retention force of a plug-in connection	When locked: > 80 N
Number of mating cycles	200, without resistive load
Protection type	IP20; When mated: IP2xC (These compact connectors are not designed for use in open, easily accessible areas!)
Suitable	for flat cable 5 x 2.5 mm <sup>2</sup> , 5 x 4 mm <sup>2</sup> , 5 x 2.5 mm <sup>2</sup> + 2 x 1.5 mm <sup>2</sup>

## Plug-in connection

Mismating protection	Yes
Note on mismating protection	All <i>WINSTA</i> ® components are 100% protected against mismating when: a.) plugging different numbers of poles b.) plugging while rotated 180 c.) plugging while laterally staggered d.) plugging one pole
Locking of plug-in connection	Locking lever
Note on locking system	All connectors for mounted installations (snap-in versions for lighting fixtures or devices, all types of PCB and distribution connectors) are factory-equipped with locking levers to ensure plugs and sockets are securely locked. Additional locking levers are only required for flying leads (plug/socket).

## Material data

Note (material data)	<a href="#">Information on material specifications can be found here</a>
Color	black
Insulation material (main housing)	Polyamide (PA66)
Flammability class per UL94	V0
Contact material	Copper or copper alloy; surface-treated
Contact Plating	Tin
Fire load	1.91 MJ
Weight	70.1 g

Environmental requirements	
Processing temperature	-5 ... +40 °C
Continuous operating temperature	-35 ... +85 °C
Note on continuous operating temperature	Cable for temperatures ≤ 70 °C (including halogen-free) Flat cable for temperatures -15 °C to ≤ 70 °C (including halogen-free) Insulating parts for temperatures ≤ 105 °C

Commercial data	
Product Group	20 (Winsta)
PU (SPU)	10 pcs
Packaging type	Box
Country of origin	DE
GTIN	4045454062019
Customs tariff number	85366990990

Product Classification	
UNSPSC	39121421
eCl@ss 10.0	27-44-06-01
eCl@ss 9.0	27-44-06-01
ETIM 9.0	EC002588
ETIM 10.0	EC002588
ECCN	NO US CLASSIFICATION

Environmental Product Compliance	
RoHS Compliance Status	Compliant, No Exemption

### Approvals / Certificates

General approvals			Declarations of conformity and manufacturer's declarations		
			<b>Approval</b>	<b>Standard</b>	<b>Certificate Name</b>
			EU-Declaration of Confor- mity WAGO GmbH & Co. KG	-	-
<b>Approval</b>	<b>Standard</b>	<b>Certificate Name</b>			
UL UL International Germany GmbH	UL 1977	E45171			

### Downloads

Environmental Product Compliance	
Compliance Search	
Environmental Product Compliance 772-263	<a href="#">↓</a>

## Documentation

### Bid Text

772-263	09.01.2015	doc 22.50 KB	<a href="#">↓</a>
772-263	19.02.2019	xml 2.85 KB	<a href="#">↓</a>

## CAD/CAE-Data

### CAD data

2D/3D Models 772-263	<a href="#">↓</a>
----------------------	-------------------

### CAE data

EPLAN Data Portal 772-263	<a href="#">↓</a>
WSCAD Universe 772-263	<a href="#">↓</a>
ZUKEN Portal 772-263	<a href="#">↓</a>

## 1 Compatible Products

### 1.1 System counterpart

#### 1.1.1 Cable assembly



**Item No.: 771-9993/206-101**

pre-assembled connecting cable; Eca; Plug/open-ended; 3-pole; Cod. A; H05VV-F 3G 1.5 mm<sup>2</sup>; 1 m; 1,50 mm<sup>2</sup>; black

**Item No.: 771-9993/006-101**

pre-assembled interconnecting cable; Eca; Socket/plug; 3-pole; Cod. A; H05VV-F 3G 1.5 mm<sup>2</sup>; 1 m; 1,50 mm<sup>2</sup>; black

#### 1.1.2 Male connector/plug



**Item No.: 770-213**

Plug; 3-pole; Cod. A; black

**Item No.: 770-113**

Plug; with strain relief housing; 3-pole; Cod. A; 4,00 mm<sup>2</sup>; black

**Item No.: 770-213/035-000**

Plug; with strain relief housing; 3-pole; Cod. A; 4,00 mm<sup>2</sup>; black

## 1.2 Required Accessories

### 1.2.1 Cover

#### 1.2.1.1 Cover



**Item No.: 770-201**

Lockout cap; 12-pole, separable; for sockets; Plastic; black

**Item No.: 770-221**

Lockout cap; 12-pole, separable; for sockets; Plastic; white

## 1.2.2 Installation

### 1.2.2.1 Mounting accessories



**Item No.: 772-260**

Mounting plate; for power supply and tap-off modules; Plastic; black

## 1.3 Optional Accessories

### 1.3.1 Cables and connectors

#### 1.3.1.1 Flat cable



**Item No.: 897-252**

Flat cable; B2ca; 5G 2.5 mm<sup>2</sup>; halogen-free; 3L + N + PE; 0.6/1 kV; 2,50 mm<sup>2</sup>; green



**Item No.: 897-262**

Flat cable; Cca; 5G 2.5 mm<sup>2</sup> + 2 x 1.5 mm<sup>2</sup>; halogen-free; 3L + N + PE + 2 buses; 0.6/1 kV; 2,50 mm<sup>2</sup>; violet



**Item No.: 897-261**

Flat cable; Eca; 5G 2.5 mm<sup>2</sup> + 2 x 1.5 mm<sup>2</sup>; PVC; 3L + N + PE + 2 buses; 0.6/1 kV; 2,50 mm<sup>2</sup>; violet



**Item No.: 897-251**

Flat cable; Eca; 5G 2.5 mm<sup>2</sup>; PVC; 3L + N + PE; 0.6/1 kV; 2,50 mm<sup>2</sup>; green



**Item No.: 897-453**

Flat cable; Eca; 5G 4 mm<sup>2</sup>; halogen-free; 3L + N + PE; 0.6/1 kV; 4,00 mm<sup>2</sup>; black

### 1.3.2 Tool

#### 1.3.2.1 Operating tool



**Item No.: 210-635**

Operating tool; Blade: 6.5 x 1.2 mm; multi-coloured



**Item No.: 210-636**

Operating tool; Blade: 6.5 x 1.2 mm; with a partially insulated shaft; multicoloured

## Installation Notes

### Conductor termination



Insert flat cable into base (observe coding).



Mount IDC module flush with the base.

Should the IDC module jam during mounting, turn the upper part by 180° and re-mount it.



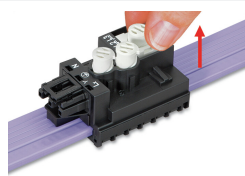
Screw down contact elements to the stop.



After connecting the flat cable, the IDC module is locked and can no longer be moved, even after unscrewing the contact element.



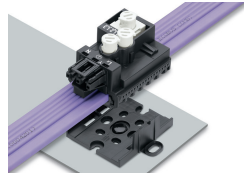
Notice: Should it be necessary to tap another phase, this must be done in a different location. To do so, the contact elements must be unscrewed and brought back to their original position.



Lift contact element to unlock phase selector and select the new phase.

Notice: Do not reuse in the same location of the flat cable.

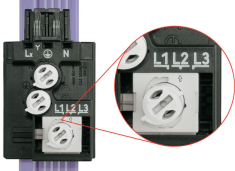
## Installation



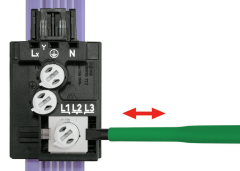
The mounting plate can be centrally mounted, or attached via outboard attachment points using 770-601 Mounting Pins.

Snapping a supply or tap-off module onto a mounting plate.

## Application



The phase selector is in position L2 (center) when delivered.



Move the phase selector into position L1 or L3 if required.

## Security



Use insulating tape to seal the contact holes in the flat cable after removing a module.