

Concord

Raiden IP66 21KLM 830 Symmetric Wide 2824012



Features

- Outdoor and indoor floodlight range with in house design, comes complete with 1m flying lead and adjustable bracket, aluminium housing, RAL 9022 - Pearl light grey, clear glass diffuser, IP66, IK08, Class I, 3000K, Non-dimming, 21300lm, 157W, 136lm/W, CRI80, Symmetric Wide beam angle 60°, 100000 hrs L90B50 lifespan, 511x319x76mm (LxWxH) dimensions, 6.6kg weight. Ball-impact-resistance according to DIN57710-13 VDE 0710 13/5.81, DIN 18032-3 only with the separate wire guard accessory fitted.

Product Overview

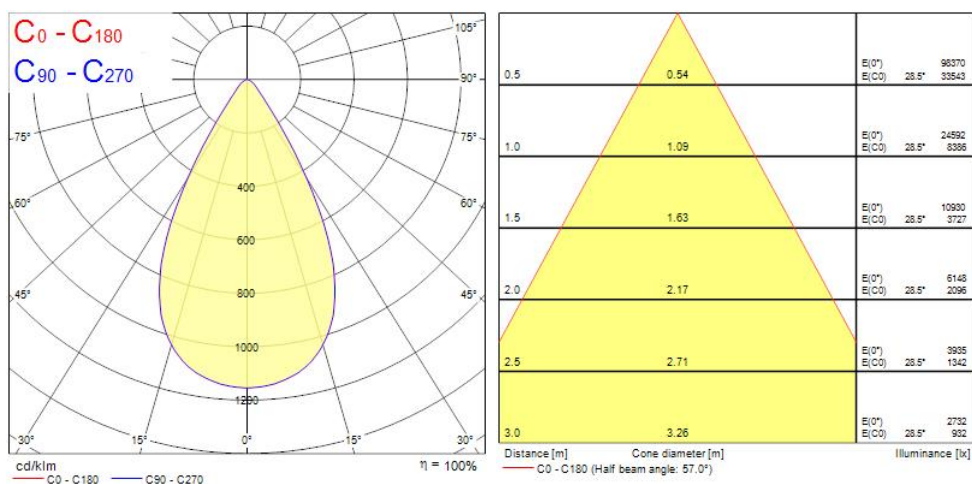
Product name	Raiden IP66 21KLM 830 Symmetric Wide
Technology	LED
Cap/Base	N/A
Housing	Aluminium
General application	Logistics & Industry
ETIM Class	EC001744
Fixture luminous flux (lm)	21300
Luminaire efficacy (lm/W)	136
Correlated colour temperature (k)	3000
Light colour	Warm White
CRI (Ra)	80
Colour Variation Initial (SDCM)	3
Beam Angle (°)	60
Photobiological Risk Group	RG1
Total power consumption (W)	157
Electrical protection	Class I
Dimmable	No
Housing colour	RAL9022

Concord

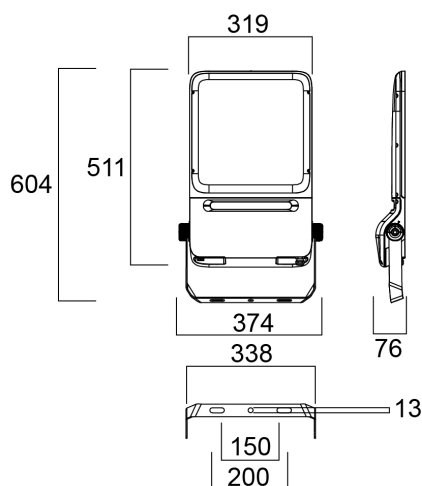
Raiden IP66 21KLM 830 Symmetric Wide 2824012

IP rating	IP66
IK rating	IK08
Product EAN number	5025768240128
Warranty	5 years
Dimming method	N/A

Photometry



Technical drawings



Concord

Raiden IP66 21KLM 830 Symmetric Wide 2824012

Data table

GENERAL DATA

Product name	Raiden IP66 21KLM 830 Symmetric Wide
Technology	LED
Cap/Base	N/A
Housing	Aluminium
General application	Logistics & Industry
Operating temperature range (°C)	-40°C...+50°C
Performance ambient temperature Tq (°C)	25
ETIM Class	EC001744
Warranty	5 years

OPTICAL DATA

Fixture luminous flux (lm)	21300
Luminaire efficacy (lm/W)	136
Correlated colour temperature (k)	3000
Light colour	Warm White
CRI (Ra)	80
Colour Variation Initial (SDCM)	3
Beam Angle (°)	60
Photobiological Risk Group	RG1

ELECTRICAL DATA

Total power consumption (W)	157
Primary Supply/Product voltage - min (V)	220
Primary Supply/Product voltage - max (V)	240
Lamp power factor	0.95
THD (at 230 V, 50 Hz, full load, at 100% dimming level) ≤ xx.x %	20
Electrical protection	Class I
Control gear required	No

Concord

Raiden IP66 21KLM 830 Symmetric Wide 2824012

Dimmable	No
Dimming method	N/A
Drive current (mA)	3200
Inrush Current (A)	110
Inrush Duration (µs)	200
Energy Efficiency Class (A->G) of contained light source	E
Nominal Frequency (Hz)	50/60Hz
Max. products per 10A C Breaker	6
Max. products per 13A C Breaker	7
Max. products per 16A C Breaker	10
Max. products per 20A C Breaker	12
Max. products per 10A B Breaker	3
Max. products per 13A B Breaker	4
Max. products per 16A B Breaker	6
Max. products per 20A B Breaker	7
Mains surge immunity (differential mode -> L-N) (kV)	6
Mains surge immunity (common mode -> L/N - GND) (kV)	10

LIFETIME DATA

Lifespan L70 B50	100000
Lifespan L80 B20	94000
Lifespan L90 B50	100000

PHYSICAL DATA

Housing colour	RAL9022
IP rating	IP66
IK rating	IK08
Nominal Product Length (mm)	511
Nominal Product Width (mm)	319
Nominal Product Height (mm)	76
Weight (kg)	6.6

Concord

Raiden IP66 21KLM 830 Symmetric Wide 2824012

PACKAGING

Product EAN number	5025768240128
Packaging single length / height (cm)	56.0
Packaging single width (cm)	41.5
Packaging single depth (cm)	14.0
DUN14 (inner)	05025768240128
Units per outer package	1
Packaging outer length / height (cm)	56.0
Packaging outer width (cm)	41.5
Packaging outer depth (cm)	14.0

SAFETY DATA

Glow Wire Test (°C)	850
Optimal operating condition (°C)	-40-50
Special purpose lamp	No
Dry applications use only	No
Suitable for household illumination	No