

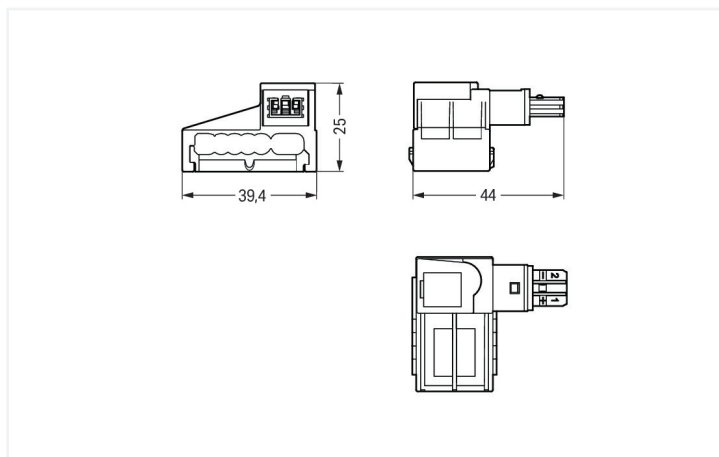
Data Sheet | Item Number: 893-262

Tap-off module; for flat cable; 5 x 2.5 mm² + 2 x 1.5 mm²; 2-pole; Cod. E; green

<https://www.wago.com/893-262>



Color: ■ green



Dimensions in mm

Tap-off module *WINSTA*® IDC E coding

Use effective pluggable connections instead of laborious screw connections: With the *WINSTA*® IDC tap-off module with protection against mismatching. The pluggable installation connectors with spring pressure connection technology function completely without screw connections. They allow resource-efficient, error-free installation in numerous possible uses. The coding options reduce installation errors, allowing fast, secure wiring of all components. The pluggable installation connector offers protection against contact with live components in accordance with protection type IP20 (When mated: IP2xC (These compact connectors are not designed for use in open, easily accessible areas!)). The harmonised KNX interface represents a manufacturer-independent communication protocol for intelligently networking state-of-the-art home and building system technologies. The standardised *WINSTA*® IDC pluggable installation connectors in green are used for signal transfer in KNX networks.

Push-in CAGE CLAMP® spring pressure connection technology – pluggable installation instead of laborious screw connections!

The *WINSTA*® Pluggable Connection System allows pluggable electrical installation. This significantly reduces the need for servicing and lowers costs. Take advantage of the pluggable version of our maintenance-free spring pressure connection technology too! Plan your installation with with marking from WAGO.

- effective protection against mismatching
- saves time, since no wiring is required at the construction site
- with E coding for AC and DC applications
- ready to install and use immediately
- fast, secure installation

Electrical data

Ratings per	IEC/EN 60664-1		
Overvoltage category	III	III	II
Pollution degree	3	2	2
Nominal voltage	50 V	-	-
Rated impulse withstand voltage	0.8 kV	-	-
Rated current	3 A	-	-

General information

Note on contact resistance	approx. 1 mΩ of contact resistance approx. 0.25 mΩ contact transition plug/ socket
----------------------------	--

Connection Data

Total number of potentials	2
----------------------------	---

Connection 1

Connection technology	IDC connection
Actuation type	Operating tool
Pole number	2

Physical data

Width	39.4 mm / 1.551 inches
Height	25 mm / 0.984 inches
Depth	44 mm / 1.732 inches

Mechanical data

Technology	KNX
Coding	E
Variable coding	No
Marking	1+ 2-
Potential marking	1+ 2-
Retention force of a plug-in connection	When locked: > 80 N
Number of mating cycles	200
Protection type	IP20; When mated: IP2xC (These compact connectors are not designed for use in open, easily accessible areas!)
Suitable	for flat cable 5 x 2.5 mm ² + 2 x 1.5 mm ²

Plug-in connection

Mismating protection	Yes
Note on mismating protection	All <i>WINSTA</i> ® components are 100% protected against mismating when: a.) plugging different numbers of poles b.) plugging while rotated 180 c.) plugging while laterally staggered d.) plugging one pole

Material data

Note (material data)	Information on material specifications can be found here
Color	green
Insulation material (main housing)	Polyamide (PA66)
Flammability class per UL94	V0
Contact material	Copper or copper alloy; surface-treated
Contact Plating	Tin
Fire load	0 MJ
Weight	19.6 g

Environmental requirements

Processing temperature	-5 ... +40 °C
Continuous operating temperature	-35 ... +85 °C
Note on continuous operating temperature	Cable for temperatures ≤ 70 °C (including halogen-free) Flat cable for temperatures -15 °C to ≤ 70 °C (including halogen-free) Insulating parts for temperatures ≤ 105 °C

Commercial data

Product Group	20 (Winsta)
PU (SPU)	50 pcs
Packaging type	Box
Country of origin	CH
GTIN	4045454267292
Customs tariff number	85366990990

Product Classification

UNSPSC	39121421
eCl@ss 10.0	27-44-06-01
eCl@ss 9.0	27-44-06-01
ETIM 9.0	EC002588
ETIM 10.0	EC002588
ECCN	NO US CLASSIFICATION

Environmental Product Compliance

RoHS Compliance Status	Compliant, No Exemption
------------------------	-------------------------

Downloads

Environmental Product Compliance

Compliance Search			
Environmental Product Compliance 893-262			↓

Documentation

Bid Text			
893-262	19.02.2019	xml 2.99 KB	↓
893-262	09.01.2015	doc 23.00 KB	↓

CAD/CAE-Data

CAE data

EPLAN Data Portal
893-262



WSCAD Universe
893-262



1 Compatible Products

1.1 System counterpart

1.1.1 Cable assembly



Item No.: 894-8992/233-106

pre-assembled connecting cable; Eca;
Plug/open-ended; 2-pole; Cod. E; J-Y(ST)
Y...LG 2x2x0.8; 1 m; green



Item No.: 894-8992/033-106

pre-assembled interconnecting cable;
Eca; Socket/plug; 2-pole; Cod. E; J-Y(ST)
Y...LG 2x2x0.8; 1 m; green

1.1.2 Male connector/plug



Item No.: 893-1012

Plug; with strain relief housing; 2-pole;
Cod. E; green

1.2 Optional Accessories

1.2.1 Cables and connectors

1.2.1.1 Flat cable



Item No.: 897-262

Flat cable; Cca; 5G 2.5 mm² + 2 x 1.5 mm²;
halogen-free; 3L + N + PE + 2 buses; 0.6/1
kV; 2,50 mm²; violet

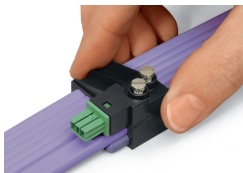


Item No.: 897-261

Flat cable; Eca; 5G 2.5 mm² + 2 x 1.5 mm²;
PVC; 3L + N + PE + 2 buses; 0.6/1 kV; 2,50
mm²; violet

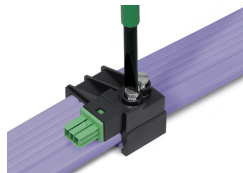
Installation Notes

Conductor termination



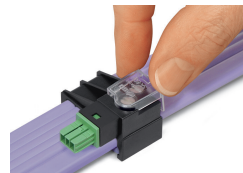
The IDC module can only be mounted if
the two codings match each other.

Should the IDC module jam during moun-
ting, turn the module by 180° and remount
it, flush with the base.

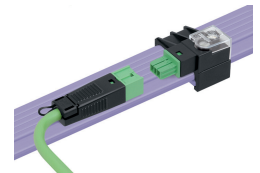


Tighten the screws to connect the flat ca-
ble.

Observe 1 Nm of tightening torque!



Snap the transparent protective cover
onto the module.



Connect the cable assembly to the modu-
le.