

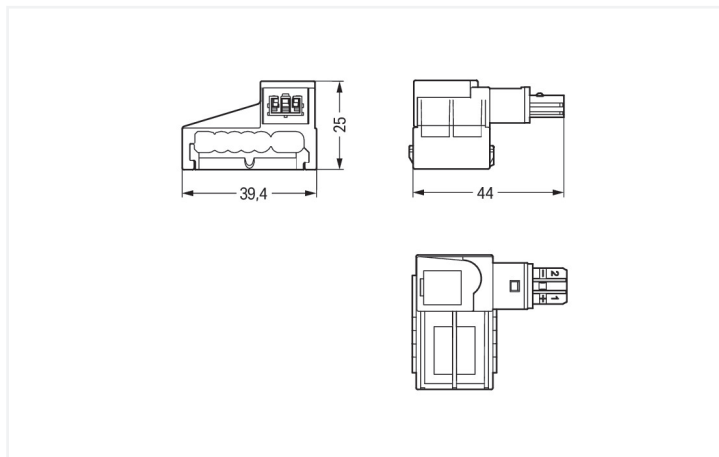
## Data Sheet | Item Number: 893-269

Tap-off module; for flat cable; 5 x 2.5 mm<sup>2</sup> + 2 x 1.5 mm<sup>2</sup>; 2-pole; Cod. F; light gray

<https://www.wago.com/893-269>



Color: ■ light gray



Dimensions in mm

Tap-off module *WINSTA*® IDC with protection type IP20

Use effective pluggable connections instead of laborious screw connections: With the *WINSTA*® IDC tap-off module with protection type IP20. Whether on PCBs, in control cabinets or for connecting lights – pluggable installation connectors from WAGO allow you to establish connections according to many different requirements in next to no time. The color coding and mechanical coding of the pluggable installation connector ensure error-free installation of the individual components – including protection against mismatching. The pluggable installation connector is protected in accordance with protection type IP20 (When mated: IP2xC (These compact connectors are not designed for use in open, easily accessible areas!)). That results in the fact that users' fingers will never come into contact with energised elements. The harmonised KNX interface represents a manufacturer-independent communication protocol for intelligently networking state-of-the-art home and building system technologies. The grey *WINSTA*® IDC pluggable installation connectors in F coding support applications in the low-voltage domain.

Lower costs through fast commissioning and elimination of service expenses – solutions from *WINSTA*® IDC

The *WINSTA*® Pluggable Connection System allows pluggable electrical installation. This significantly reduces the need for servicing and lowers costs. Now you can also reduce installation costs without compromising safety and quality: with marking reduces the need for servicing and prevents unnecessary downtime.

- pluggable installation connectors with protection against mismatching
- products perfectly tailored to your requirements guarantee safe use
- for high-power connections for supplying power
- exact dimensions
- quick replacement of defective units during ongoing operation

### Electrical data

Ratings per	IEC/EN 60664-1		
Overvoltage category	III	III	II
Pollution degree	3	2	2
Nominal voltage	50 V	-	-
Rated impulse withstand voltage	0.8 kV	-	-
Rated current	3 A	-	-

### General information

Note on contact resistance	approx. 1 mΩ of contact resistance approx. 0.25 mΩ contact transition plug/ socket
----------------------------	--

## Connection Data

Total number of potentials 2

### Connection 1

Connection technology IDC connection

Actuation type Operating tool

Pole number 2

## Physical data

Width 39.4 mm / 1.551 inches

Height 25 mm / 0.984 inches

Depth 44 mm / 1.732 inches

## Mechanical data

Technology KNX

Coding F

Variable coding No

Marking 1+ 2-

Potential marking 1+ 2-

Retention force of a plug-in connection When locked: > 80 N

Number of mating cycles 200

Protection type IP20; When mated: IP2xC (These compact connectors are not designed for use in open, easily accessible areas!)

Suitable for flat cable 5 x 2.5 mm<sup>2</sup> + 2 x 1.5 mm<sup>2</sup>

## Plug-in connection

Mismating protection Yes

Note on mismating protection All *WINSTA*® components are 100% protected against mismating when:  
 a.) plugging different numbers of poles  
 b.) plugging while rotated 180  
 c.) plugging while laterally staggered  
 d.) plugging one pole

## Material data

Note (material data) [Information on material specifications can be found here](#)

Color light gray

Insulation material (main housing) Polyamide (PA66)

Flammability class per UL94 V0

Contact material Copper or copper alloy; surface-treated

Contact Plating Tin

Fire load 0 MJ

Weight 19 g

## Environmental requirements

Processing temperature -5 ... +40 °C

Continuous operating temperature -35 ... +85 °C

Note on continuous operating temperature Cable for temperatures ≤ 70 °C (including halogen-free)  
 Flat cable for temperatures -15 °C to ≤ 70 °C (including halogen-free)  
 Insulating parts for temperatures ≤ 105 °C

**Commercial data**

Product Group	20 (Winsta)
PU (SPU)	50 pcs
Packaging type	Box
Country of origin	CH
GTIN	4045454267308
Customs tariff number	85366990990

**Product Classification**

UNSPSC	39121421
eCl@ss 10.0	27-44-06-01
eCl@ss 9.0	27-44-06-01
ETIM 9.0	EC002588
ETIM 10.0	EC002588
ECCN	NO US CLASSIFICATION

**Environmental Product Compliance**

RoHS Compliance Status	Compliant, No Exemption
------------------------	-------------------------

**Downloads**

**Environmental Product Compliance**

<b>Compliance Search</b>			
Environmental Product Compliance 893-269			<a href="#">↓</a>

**Documentation**

<b>Bid Text</b>			
893-269	19.02.2019	xml 2.99 KB	<a href="#">↓</a>
893-269	09.01.2015	doc 23.00 KB	<a href="#">↓</a>

**CAD/CAE-Data**

<b>CAE data</b>			
EPLAN Data Portal 893-269			<a href="#">↓</a>
WSCAD Universe 893-269			<a href="#">↓</a>

## 1 Compatible Products

### 1.1 System counterpart

#### 1.1.1 Male connector/plug



**Item No.: 893-1032**

Plug; with strain relief housing; 2-pole;  
Cod. F; light gray

## 1.2 Optional Accessories

### 1.2.1 Cables and connectors

#### 1.2.1.1 Flat cable



**Item No.: 897-262**

Flat cable; Cca; 5G 2.5 mm<sup>2</sup> + 2 x 1.5 mm<sup>2</sup>;  
halogen-free; 3L + N + PE + 2 buses; 0.6/1  
kV; 2,50 mm<sup>2</sup>; violet

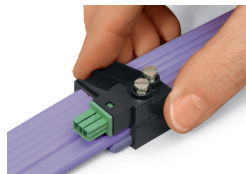


**Item No.: 897-261**

Flat cable; Eca; 5G 2.5 mm<sup>2</sup> + 2 x 1.5 mm<sup>2</sup>;  
PVC; 3L + N + PE + 2 buses; 0.6/1 kV; 2,50  
mm<sup>2</sup>; violet

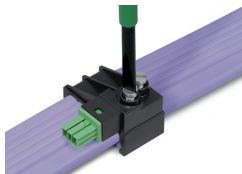
## Installation Notes

### Conductor termination



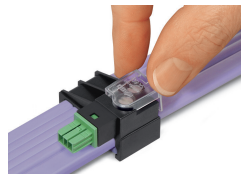
The IDC module can only be mounted if the two codings match each other.

Should the IDC module jam during mounting, turn the module by 180° and remount it, flush with the base.

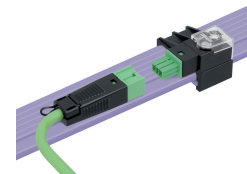


Tighten the screws to connect the flat cable.

Observe 1 Nm of tightening torque!



Snap the transparent protective cover onto the module.



Connect the cable assembly to the module.