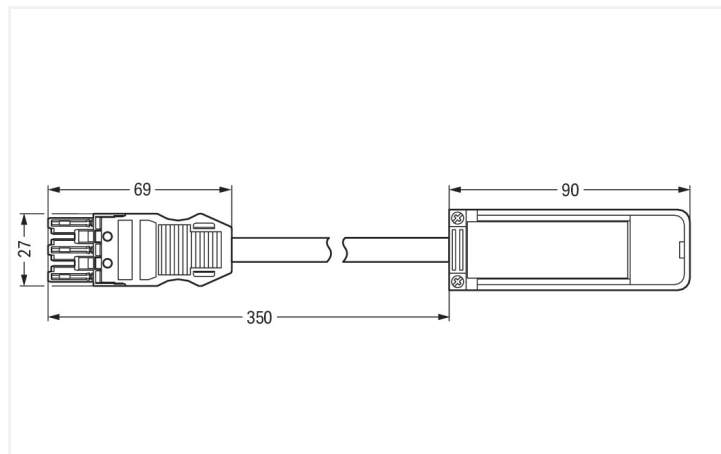
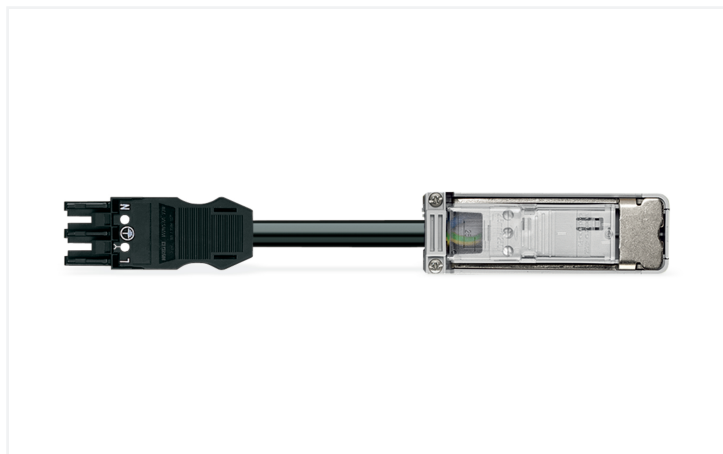


Data Sheet | Item Number: 896-233

Tap-off module; 3 x 2.5 mm²; 3-pole; Cod. A; fitted with cable; with strain relief housing; black

<https://www.wago.com/896-233>



Color: ■ black

Dimensions in mm

Cable assembly WINSTA® IDC A coding

The WINSTA® IDC cable assembly with protection type IP20 is the pluggable solution for your use in control cabinets, on PCBs or for lighting connections. WAGO pluggable installation connectors can be used when requirements repeat or are planned on a specified grid, for example for installing grid lighting or flush-mount lighting. The coding options reduce installation errors, allowing fast, maintenance-free wiring of all components. The pluggable installation connector offers protection against contact with live components in accordance with protection type IP20 (Only when mated and secured with a strain relief housing (These compact connectors are not designed for use in open, easily accessible areas.)). The WINSTA® IDC pluggable installation connector with A coding in white or black is usually used for general mains applications in power distribution. Building safety must be ensured at all times, even after the electrical installation stage. The mandatory safety requirements in connection with EU CPR are met by this product through fire class E.

Fast, error-free assembly thanks to cable assemblies from WAGO

WINSTA® is the pluggable connection system that is perfectly tailored to the strict requirements of electrical installation. It allows error-free installation of cables and components, quickly and reliably. Now you can also cut installation expenses without compromising safety and quality: with marking reduces the need for servicing and prevents unnecessary downtime.

- effective protection against mismatching
- products perfectly tailored to your requirements guarantee safe use
- for any mains application
- custom-engineered solutions
- quick replacement of defective units during ongoing operation

Notes

Note Cables with a different fire class can be found in the eShop.

Electrical data

Ratings per	IEC/EN 60664-1		
Overvoltage category	III	III	II
Pollution degree	3	2	2
Nominal voltage	-	-	-
Rated impulse withstand voltage	-	-	-
Rated current	-	-	-

General information

Note on contact resistance approx. 1 mΩ of contact resistance
approx. 0.25 mΩ contact transition plug/
socket

Connection Data

PE function	Preceding PE contact
-------------	----------------------

Physical data

Width	30 mm / 1.181 inches
Height	34 mm / 1.339 inches
Total length	0.44 m

Mechanical data

Use	General mains applications
Coding	A
Variable coding	Yes
Marking	L ⊕ N
Mating force of a plug-in connection	Approx. 30 ... 70 N (depending on pole number)
Retention force of a plug-in connection	when locked: > 80N
Unmating force of a plug-in connection	Unlocked: approx. 30 ... 70 N (depending on pole number)
Number of mating cycles	200, without resistive load
Protection type	IP20; Only when mated and secured with a strain relief housing (These compact connectors are not designed for use in open, easily accessible areas.)
Suitable	for flat cable 3 x 2.5 mm ²

Plug-in connection

Mismating protection	Yes
Note on mismating protection	All <i>WINSTA</i> ® components are 100% protected against mismating when: a.) plugging different numbers of poles b.) plugging while rotated 180 c.) plugging while laterally staggered d.) plugging one pole
Locking of plug-in connection	Locking lever

Material data

Note (material data)	Information on material specifications can be found here
Color	black
Insulation material (main housing)	Polyamide (PA66)
Flammability class per UL94	V0
Fire class per EN 50575	E _{ca}
Contact material	Copper or copper alloy; surface-treated
Fire load	12.912 MJ
Halogen-free	No
Sheath material	Halogen-free
Weight	140.5 g
Copper weight of the raw cable	0.072 kg/m

Environmental requirements

Processing temperature	-5 ... +40 °C
Continuous operating temperature	-35 ... +85 °C
Note on continuous operating temperature	Cable for temperatures ≤ 70 °C (including halogen-free) Insulating parts for temperatures ≤ 105 °C

Commercial data

Product Group	20 (Winsta)
PU (SPU)	1 pcs
Packaging type	Box
Country of origin	DE
GTIN	4045454004279
Customs tariff number	85366990990

Product Classification

UNSPSC	39121421
eCl@ss 10.0	27-44-06-01
eCl@ss 9.0	27-44-06-01
ETIM 9.0	EC002588
ETIM 10.0	EC002588
ECCN	NO US CLASSIFICATION

Environmental Product Compliance

RoHS Compliance Status	Compliant, No Exemption
------------------------	-------------------------

Downloads

Environmental Product Compliance

Compliance Search

Environmental Product Compliance 896-233	↓
--	-------------------

Documentation

Bid Text

896-233	19.02.2019	xml 2.68 KB	↓
896-233	09.01.2015	doc 22.50 KB	↓

CAD/CAE-Data

CAE data

WSCAD Universe 896-233	↓
------------------------	-------------------

1 Compatible Products

1.1 Optional Accessories

1.1.1 Cables and connectors

1.1.1.1 Flat cable

Item No.: 897-232

Flat cable; B2ca; 3G 2.5 mm²; halogen-free; L + PE + N; 0.6/1 kV; 2,50 mm²; light gray

Item No.: 897-231

Flat cable; Eca; 3G 2.5 mm²; PVC; L + PE + N; 0.6/1 kV; 2,50 mm²; light gray