

Deck valve clockwise closing hot - Brushed Dark Platinum

SERIES SPECIFIC

20 004 715 Product version from 6/1/2015

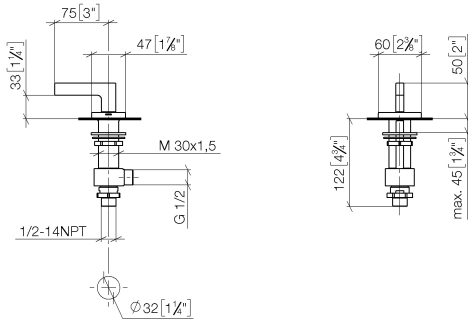
- hole diameter 32 mm
- rosette 60 x 47 mm
- with hot marking



	Brushed Dark Platinum	20 004 715-99
	Chrome	20 004 715-00
	Brushed Platinum	20 004 715-06
	Dark Chrome	20 004 715-19
	Brushed Light Gold (PVD)	20 004 715-27
	Brushed Gold (PVD)	20 004 715-37
	Brushed Bronze (PVD)	20 004 715-42
	Brushed Champagne (22kt Gold)	20 004 715-46
	Champagne (22kt Gold)	20 004 715-47

20 004 715 Product version from 6/1/2015

mm [inches]



Flow rate chart



Codes & Standards

ASME A112.18.1	cUPC	DIN 4109	ISO 3822
NSF372	NSF61	Ü-Zeichen	



Deck valve clockwise closing hot - Brushed Dark Platinum

SERIES SPECIFIC

20 004 715 Product version from 6/1/2015

Certificates and sustainability

IAPMO_N-4

LGA_28

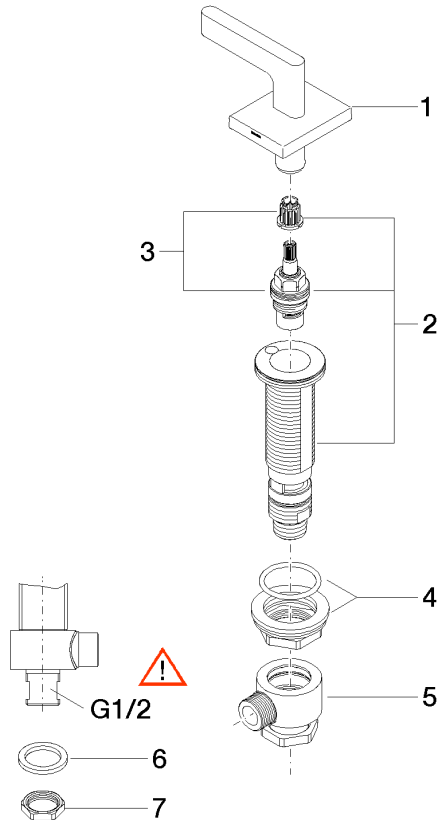
IAPMO_4976

IAPMO_6

EPD-DOR-20230287
-IBA1-EN
Environmental.prod
uct-declarat

20 004 715 Product version from 6/1/2015

Parts for other finishes can be found here: [Chrome](#)



Spare parts list

No.	Item Number	Name	Quantity used	Delivery time
5	04 17 11 023 10 90	Connection Distributor, complete 1/2" -	1.00	14
7	09 23 10 012 90	Mounting Nut SW 24 1/2" -	1.00	14
4	04 23 10 032 78 90	Mounting with seals M30 x 1,5 -	1.00	14
3	90 90 03 153 00 90	Head part clockwise closing extended, 7mm 1/2" -	1.00	14
6	09 30 11 059 90	Disc -	1.00	14
1	90 20 70 057 02-99	Handle for basin Hot Lever 60 x 47,5 x 40 mm - Brushed Dark Platinum	1.00	40
2	04 17 11 058 53 90	Side piece clockwise closing 1/2" -	1.00	14