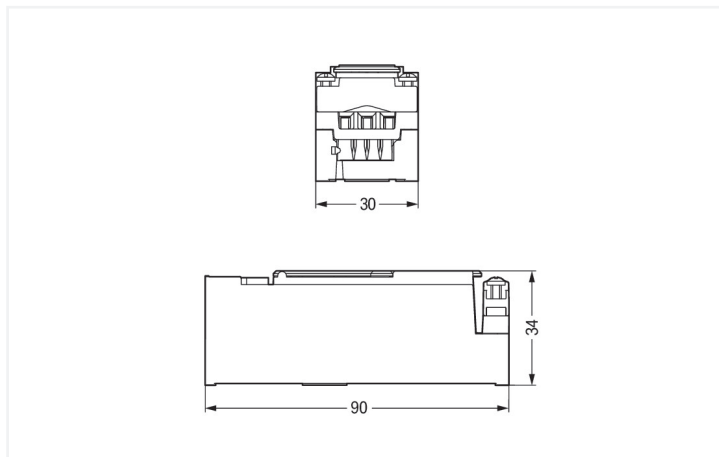


Color: ■ gray



Dimensions in mm

#### Tap-off module *WINSTA*® IDC with protection against mismatching

The *WINSTA*® IDC tap-off module with protection type IP20 provides the foundation for assembly of fine-stranded and solid conductors. On PCBs, in control cabinets or for connecting lights – pluggable installation connectors from WAGO allow you to establish connections according to an enormous variety of requirements in next to no time. For greater protection in electrical installations, the pluggable installation connector is equipped with mechanical protection against mismatching. The pluggable installation connector is protected against ingress by solid objects in accordance with protection type IP20 (When mated: IP2xC (These compact connectors are not designed for use in open, easily accessible areas!)). The rated current and voltage are important criteria for selecting a pluggable installation connector: They provide information about possible domains of use and applications. This product has a current rating of 24 A – therefore it is suitable for robust loads.

Lower costs through fast commissioning and elimination of service expenses – solutions from *WINSTA*® IDC

*WINSTA*® is the pluggable connection system that is optimally tailored to the strict requirements of electrical installation. It ensures fast, secure and, above all, error-free installation of components and cables. Enjoy the benefits of the pluggable version of our maintenance-free spring pressure connection technology too! Plan your installation with with protection type IP20 from WAGO.

- pluggable installation connectors with protection against mismatching
- saves time, since no wiring is required at the construction site
- ready for immediate use
- convenient installation and commissioning

#### Electrical data

Ratings per	IEC/EN 60664-1		
Overvoltage category	III	III	II
Pollution degree	3	2	2
Nominal voltage	250 V	-	-
Rated impulse withstand voltage	4 kV	-	-
Rated current	24 A	-	-

#### General information

Note on contact resistance	approx. 1 mΩ of contact resistance approx. 0.25 mΩ contact transition plug/ socket
----------------------------	--

## Connection Data

Clamping units	3
Total number of potentials	3

### Connection 1

Connection technology	Screw connection
Actuation type	Operating tool
Pole number	3
Wire cross-section	2.5 mm <sup>2</sup>

### Connection 2

Connection technology	IDC connection
-----------------------	----------------

## Physical data

Width	30 mm / 1.181 inches
Height	34 mm / 1.339 inches
Depth	90 mm / 3.543 inches

## Mechanical data

Variable coding	No
Marking	plain
Retention force of a plug-in connection	When locked: > 80 N
Protection type	IP20; When mated: IP2xC (These compact connectors are not designed for use in open, easily accessible areas!)
Suitable	for flat cable 3 x 2.5 mm <sup>2</sup>

## Plug-in connection

Mismating protection	Yes
Note on mismating protection	All <i>WINSTA</i> ® components are 100% protected against mismating when: a.) plugging different numbers of poles b.) plugging while rotated 180 c.) plugging while laterally staggered d.) plugging one pole

## Material data

Note (material data)	<a href="#">Information on material specifications can be found here</a>
Color	gray
Insulation material (main housing)	Polyamide (PA66)
Flammability class per UL94	V0
Contact material	Copper or copper alloy; surface-treated
Contact Plating	Tin
Fire load	1.5 MJ
Weight	70 g

**Environmental requirements**

Processing temperature	-5 ... +40 °C
Continuous operating temperature	-35 ... +85 °C
Note on continuous operating temperature	Cable for temperatures ≤ 70 °C (including halogen-free) Flat cable for temperatures -15 °C to ≤ 70 °C (including halogen-free) Insulating parts for temperatures ≤ 105 °C

**Commercial data**

Product Group	20 (Winsta)
PU (SPU)	10 pcs
Packaging type	Box
Country of origin	CH
GTIN	4045454004217
Customs tariff number	85366990990

**Product Classification**

UNSPSC	39121421
eCl@ss 10.0	27-44-06-01
eCl@ss 9.0	27-44-06-01
ETIM 9.0	EC002588
ETIM 10.0	EC002588
ECCN	NO US CLASSIFICATION

**Environmental Product Compliance**

RoHS Compliance Status	Compliant, No Exemption
------------------------	-------------------------

**Downloads**

**Environmental Product Compliance**

<b>Compliance Search</b>			
Environmental Product Compliance 896-232			<a href="#">↓</a>

**Documentation**

<b>Bid Text</b>			
896-232	19.02.2019	xml 2.88 KB	<a href="#">↓</a>
896-232	09.01.2015	doc 22.50 KB	<a href="#">↓</a>

## CAD/CAE-Data

### CAE data

EPLAN Data Portal  
896-232



WSCAD Universe  
896-232



## 1 Compatible Products

### 1.1 Optional Accessories

#### 1.1.1 Cables and connectors

##### 1.1.1.1 Flat cable

###### Item No.: 897-232

Flat cable; B2ca; 3G 2.5 mm<sup>2</sup>; halogen-free; L + PE + N; 0.6/1 kV; 2,50 mm<sup>2</sup>; light gray

###### Item No.: 897-231

Flat cable; Eca; 3G 2.5 mm<sup>2</sup>; PVC; L + PE + N; 0.6/1 kV; 2,50 mm<sup>2</sup>; light gray

## Installation Notes

### Conductor termination



Position the base and tighten screw, if necessary. Insert flat cable accurately. The key in the base must match the groove in the cable insulation.



Cut outgoing feeder cable, completely strip and insert conductors. Tighten screws firmly (observe 0.7 Nm of tightening torque).



Insert upper part into base until it hits the stop (which will click when engaged). Push down and lock lever. All three cores are contacted simultaneously.