

META META SLIM Single-lever basin mixer with raised base without pop-up waste - Matte Black

META

33 537 662 Product version up to 1/23/2020

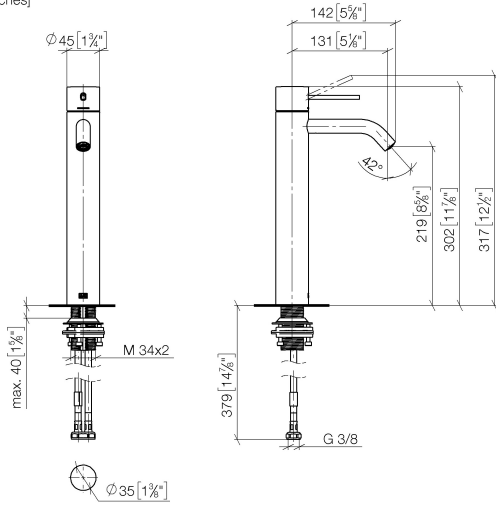


- 135mm projection
- fixed spout
- circular, air-enriched flow
- height of mixer 300 mm
- height up to aerator 219 mm
- hole diameter 35 mm
- 2x screw-in M 8 x 1 pressure hose, leak-tested
- max. flow 5.7 l/min
- lead-free
- This product can help a building meet the requirements of Green Building Rating Systems, e.g. LEED®, BREEAM®, DGNB
- WRAS

for use on bowl sink.

Product change as of 1.4.2023: height of mixer 300 mm, height up to aerator 219 mm

33 537 662 Product version up to 1/23/2020
mm [inches]



Flow rate chart



Codes & Standards

DIN 4109

ISO 3822

Scottish Water
Byelaws

UK Water Supply
Regulations

Ü-Zeichen



META META SLIM Single-lever basin mixer with raised base without pop-up waste - Matte Black

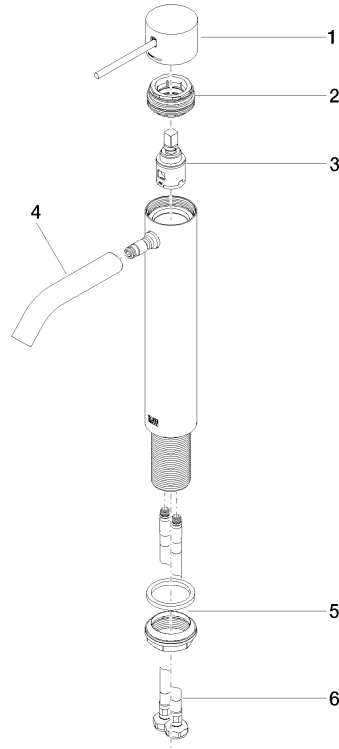
META

33 537 662 Product version up to 1/23/2020

Certificates and sustainability

LGA_29

EPD-DOR-20230287 WRAS_251102
-IBA1-EN
Environmental.prod
uct-declarat



Spare parts list

No.	Item Number	Name	Quantity used	Delivery time
1	90 20 66 020 00-33	Handle for washstand deck mounting Kinematics Lever Ø 45 x 33 x115 mm - Matte Black	1.00	40
3	90 15 05 042 00 90	Cartridge Ø 25 x 52 mm -	1.00	14
2	90 24 04 536 00 90	Union piece Ø 58 x 23 mm -	1.00	-
Spare part can no longer be ordered, please order the replacement item				
	9024045570090	Fastening nut incl. filter -		
4	90 11 06 207 00-33	Spout 90 x 145 x 35 mm, 5,68 l/min. - Matte Black	1.00	40
6	04 30 04 101 00 90	High pressure hose M8x1 x 3/8" x 600 mm -	2.00	14
5	04 23 10 044 07 90	Attachment set with seals M34 x 1 -	1.00	14