

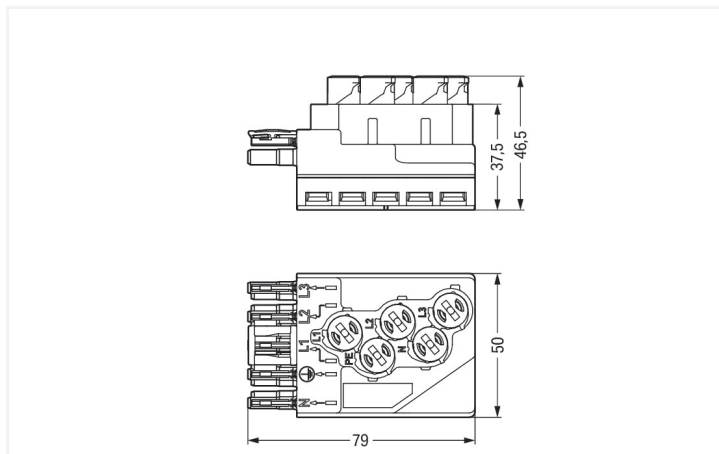
Data Sheet | Item Number: 772-268

Tap-off module; for flat cable; 5 x 2.5 mm² + 2 x 1.5 mm²; 5-pole; Cod. P; with cable connection on the output side; red

<https://www.wago.com/772-268>



Color: ■ red



Dimensions in mm

Tap-off module WINSTA® IDC with protection against mismatching

The WINSTA® IDC tap-off module with protection against mismatching supports rapid, correct installation. On PCBs, in control cabinets or for connecting lights – pluggable installation connectors from WAGO allow you to make connections according to a huge variety of requirements in next to no time. For greater security in electrical installations, the pluggable installation connector is equipped with mechanical protection against mismatching. The pluggable installation connector offers touch-proof protection with live components in accordance with protection type IP20 (When mated: IP2xC (These compact connectors are not designed for use in open, easily accessible areas!)). WINSTA® IDC pluggable installation connectors with P coding allow zero-defect realization of an uninterruptible power supply (UPS). The rated current and voltage are important criteria for selecting a pluggable installation connector: They provide information about possible domains of use and applications. This product has a current rating of 25 A – so it is suitable for high power loads.

Lower costs through fast commissioning and elimination of service expenses – solutions from WINSTA® IDC

The WINSTA® Pluggable Connection System allows pluggable electrical installation. This saves time, lowers costs, and reduces the need for servicing. Take advantage of the pluggable version of our maintenance-free spring pressure connection technology too! Plan your installation with with marking from WAGO.

- pluggable installation connectors with protection against mismatching
- products perfectly tailored to your requirements guarantee safe use
- for UPS applications
- ready for immediate use
- quick replacement of defective units during ongoing operation

Electrical data

| Ratings per | IEC/EN 60664-1 | | |
|---------------------------------|----------------|-----|----|
| Overvoltage category | III | III | II |
| Pollution degree | 3 | 2 | 2 |
| Nominal voltage | 400 V | - | - |
| Rated impulse withstand voltage | 6 kV | - | - |
| Rated current | 25 A | - | - |

General information

| | |
|----------------------------|--|
| Note on contact resistance | approx. 1 mΩ of contact resistance approx. 0.25 mΩ contact transition plug/ socket |
|----------------------------|--|

Connection Data

| | |
|----------------------------|---|
| Total number of potentials | 5 |
|----------------------------|---|

Connection 1

| | |
|-----------------------|----------------|
| Connection technology | IDC connection |
| Actuation type | Operating tool |
| Pole number | 5 |

Physical data

| | |
|--------|------------------------|
| Width | 50 mm / 1.969 inches |
| Height | 46.5 mm / 1.831 inches |
| Depth | 79 mm / 3.11 inches |

Mechanical data

| | |
|---|--|
| Use | EDV (UPS) |
| Coding | P |
| Variable coding | No |
| Marking | N ⊕ L1 L2 L3 |
| Potential marking | N ⊕ L1 L2 L3 |
| Retention force of a plug-in connection | When locked: > 80 N |
| Number of mating cycles | 200, without resistive load |
| Protection type | IP20; When mated: IP2xC (These compact connectors are not designed for use in open, easily accessible areas!) |
| Suitable | for flat cable 5 x 2.5 mm ² , 5 x 4 mm ² , 5 x 2.5 mm ² + 2 x 1.5 mm ² |

Plug-in connection

| | |
|-------------------------------|--|
| Mismating protection | Yes |
| Note on mismating protection | All <i>WINSTA</i> ® components are 100% protected against mismating when: a.) plugging different numbers of poles b.) plugging while rotated 180 c.) plugging while laterally staggered d.) plugging one pole |
| Locking of plug-in connection | Locking lever |
| Note on locking system | All connectors for mounted installations (snap-in versions for lighting fixtures or devices, all types of PCB and distribution connectors) are factory-equipped with locking levers to ensure plugs and sockets are securely locked. Additional locking levers are only required for flying leads (plug/socket). |

Material data

| | |
|------------------------------------|--|
| Note (material data) | Information on material specifications can be found here |
| Color | red |
| Insulation material (main housing) | Polyamide (PA66) |
| Flammability class per UL94 | V0 |
| Contact material | Copper or copper alloy; surface-treated |
| Contact Plating | Tin |
| Fire load | 1.855 MJ |
| Weight | 76 g |

Environmental requirements

| | |
|--|---|
| Processing temperature | -5 ... +40 °C |
| Continuous operating temperature | -35 ... +85 °C |
| Note on continuous operating temperature | Cable for temperatures ≤ 70 °C (including halogen-free) Flat cable for temperatures -15 °C to ≤ 70 °C (including halogen-free) Insulating parts for temperatures ≤ 105 °C |

Commercial data

| | |
|-----------------------|---------------|
| Product Group | 20 (Winsta) |
| PU (SPU) | 10 pcs |
| Packaging type | Box |
| Country of origin | DE |
| GTIN | 4045454599522 |
| Customs tariff number | 85366990990 |

Product Classification

| | |
|-------------|----------------------|
| UNSPSC | 39121421 |
| eCl@ss 10.0 | 27-44-06-01 |
| eCl@ss 9.0 | 27-44-06-01 |
| ETIM 9.0 | EC002588 |
| ETIM 10.0 | EC002588 |
| ECCN | NO US CLASSIFICATION |

Environmental Product Compliance

| | |
|------------------------|-------------------------|
| RoHS Compliance Status | Compliant, No Exemption |
|------------------------|-------------------------|

Approvals / Certificates

Declarations of conformity and manufacturer's declarations

| Approval | Standard | Certificate Name |
|--|----------|------------------|
| EU-Declaration of Conformity WAGO GmbH & Co. KG | - | - |

Downloads

Environmental Product Compliance

| | |
|--|-------------------|
| Compliance Search | |
| Environmental Product Compliance 772-268 | ↓ |

Documentation

Bid Text

| | | | |
|---------|------------|------------------|-------------------|
| 772-268 | 18.02.2019 | docx 15.36 KB | ↓ |
| 772-268 | 19.02.2019 | xml 3.29 KB | ↓ |

CAD/CAE-Data

CAE data

| | |
|---------------------------|-------------------|
| WSCAD Universe 772-268 | ↓ |
|---------------------------|-------------------|

1 Compatible Products

1.1 System counterpart

1.1.1 Cable assembly



Item No.: 771-9975/206-101

pre-assembled connecting cable; Eca; Plug/open-ended; 5-pole; Cod. P; H05VV-F 5G 1.5 mm²; 1 m; 1,50 mm²; red

Item No.: 771-9975/006-101

pre-assembled interconnecting cable; Eca; Socket/plug; 5-pole; Cod. P; H05VV-F 5G 1.5 mm²; 1 m; 1,50 mm²; red

1.1.2 Male connector/plug



Item No.: 770-1315

Plug; 5-pole; Cod. P; 4,00 mm²; red

1.2 Required Accessories

1.2.1 Cover

1.2.1.1 Cover



Item No.: 770-201

Lockout cap; 12-pole, separable; for sockets; Plastic; black



Item No.: 770-221

Lockout cap; 12-pole, separable; for sockets; Plastic; white

1.2.2 Installation

1.2.2.1 Mounting accessories



Item No.: 772-260

Mounting plate; for power supply and tap-off modules; Plastic; black

1.3 Optional Accessories

1.3.1 Cables and connectors

1.3.1.1 Flat cable



Item No.: 897-252

Flat cable; B2ca; 5G 2.5 mm²; halogen-free; 3L + N + PE; 0.6/1 kV; 2,50 mm²; green



Item No.: 897-262

Flat cable; Cca; 5G 2.5 mm² + 2 x 1.5 mm²; halogen-free; 3L + N + PE + 2 buses; 0.6/1 kV; 2,50 mm²; violet



Item No.: 897-261

Flat cable; Eca; 5G 2.5 mm² + 2 x 1.5 mm²; PVC; 3L + N + PE + 2 buses; 0.6/1 kV; 2,50 mm²; violet



Item No.: 897-251

Flat cable; Eca; 5G 2.5 mm²; PVC; 3L + N + PE; 0.6/1 kV; 2,50 mm²; green



Item No.: 897-453

Flat cable; Eca; 5G 4 mm²; halogen-free; 3L + N + PE; 0.6/1 kV; 4,00 mm²; black

1.3.2 Tool

1.3.2.1 Operating tool



Item No.: 210-635

Operating tool; Blade: 6.5 x 1.2 mm; multi-coloured



Item No.: 210-636

Operating tool; Blade: 6.5 x 1.2 mm; with a partially insulated shaft; multicoloured

Installation Notes

Conductor termination



Insert flat cable into base (observe coding!).



Mount IDC module flush with the base.

Should the IDC module jam during mounting, turn the upper part by 180° and re-mount it.



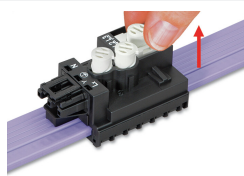
Screw down contact elements to the stop.



After connecting the flat cable, the IDC module is locked and can no longer be moved, even after unscrewing the contact element.



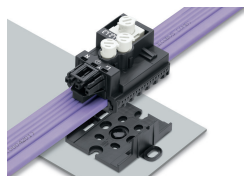
Notice: Should it be necessary to tap another phase, this must be done in a different location. To do so, the contact elements must be unscrewed and brought back to their original position.



Lift contact element to unlock phase selector and select the new phase.

Notice: Do not reuse in the same location of the flat cable.

Installation



The mounting plate can be centrally mounted, or attached via outboard attachment points using 770-601 Mounting Pins.

Snapping a supply or tap-off module onto a mounting plate.

Security



Use insulating tape to seal the contact holes in the flat cable after removing a module.