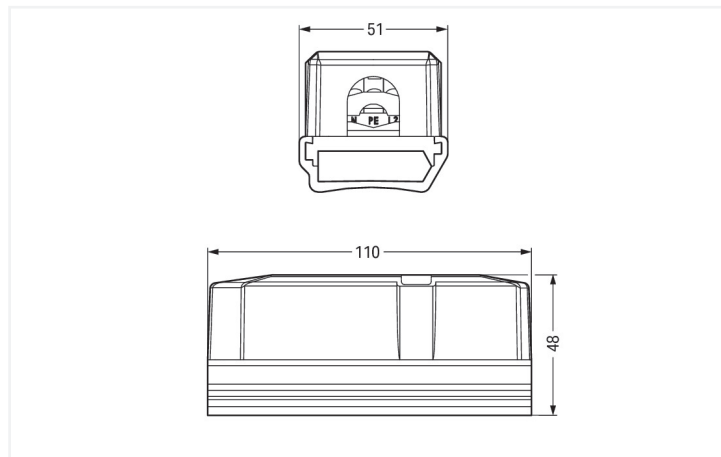




Color: transparent



Dimensions in mm

Tap-off module WINSTA® IDC 5-pole

For signal and power transmission: The WINSTA® IDC tap-off module rated current 32 A. Our pluggable installation connectors with spring pressure connection technology work without screw connections. They allow flexible, error-free installation in numerous possible uses. The coding options reduce installation errors, allowing fast, secure wiring of all components. The pluggable installation connector offers protection against contact with live components in accordance with protection type IP20 (When mated: IP2xC (These compact connectors are not designed for use in open, easily accessible areas!)). This pluggable installation connector is used for electrical currents up to 32 A. Thus the product is especially suitable for high power loads.

Lower costs through fast commissioning and elimination of service expenses – solutions from WINSTA® IDC

The WINSTA® Pluggable Connection System allows pluggable electrical installation. This saves time, lowers costs, and reduces the need for servicing. Choose durability and quality – with marking from WAGO makes the installation of electrical components substantially easier.

- pluggable installation connectors with protection against mismatching
- saves time, since no wiring is required at the construction site
- ready for immediate use
- convenient installation and commissioning

Electrical data

Ratings per	IEC/EN 60664-1		
Overvoltage category	III	III	II
Pollution degree	3	2	2
Nominal voltage	690 V	-	-
Rated impulse withstand voltage	8 kV	-	-
Rated current	32 A	-	-

General information

Note on contact resistance	approx. 1 mΩ of contact resistance approx. 0.25 mΩ contact transition plug/ socket
----------------------------	--

Connection Data

Clamping units	5	Connection 1	
Total number of potentials	5	Connection technology	CAGE CLAMP®
		Actuation type	Operating tool
		Pole number	5

Physical data

Width	51 mm / 2.008 inches
Height	48 mm / 1.89 inches
Depth	110 mm / 4.331 inches

Mechanical data

Variable coding	No
Marking	L1 N ⊕ L2 L3
Retention force of a plug-in connection	When locked: > 80 N
Protection type	IP20; When mated: IP2xC (These compact connectors are not designed for use in open, easily accessible areas!)
Suitable	for flat cable 5 x 10 mm²

Plug-in connection

Mismating protection	Yes
Note on mismating protection	All <i>WINSTA</i> ® components are 100% protected against mismating when: a.) plugging different numbers of poles b.) plugging while rotated 180 c.) plugging while laterally staggered d.) plugging one pole

Material data

Note (material data)	Information on material specifications can be found here
Color	transparent
Insulation material (main housing)	Polyamide (PA66)
Flammability class per UL94	V0
Contact material	Copper or copper alloy; surface-treated
Contact Plating	Tin
Fire load	2.232 MJ
Weight	171.8 g

Environmental requirements

Processing temperature	-5 ... +40 °C
Continuous operating temperature	-35 ... +85 °C
Note on continuous operating temperature	Cable for temperatures ≤ 70 °C (including halogen-free) Flat cable for temperatures -15 °C to ≤ 70 °C (including halogen-free) Insulating parts for temperatures ≤ 105 °C

Commercial data

Product Group	20 (Winsta)
PU (SPU)	25 pcs
Packaging type	Box
Country of origin	CH
GTIN	4045454006266
Customs tariff number	85366990990

Product Classification

UNSPSC	39121421
eCl@ss 10.0	27-44-06-01
eCl@ss 9.0	27-44-06-01
ETIM 9.0	EC002588
ETIM 10.0	EC002588
ECCN	NO US CLASSIFICATION

Environmental Product Compliance

RoHS Compliance Status	Compliant, No Exemption
------------------------	-------------------------

Downloads

Environmental Product Compliance

Compliance Search

Environmental Product Compliance 895-1052	↓
---	-------------------

Documentation

Bid Text

895-1052	19.02.2019	xml 2.93 KB	↓
895-1052	02.06.2015	doc 24.00 KB	↓

CAD/CAE-Data

CAE data

EPLAN Data Portal 895-1052	↓
WSCAD Universe 895-1052	↓

1 Compatible Products

1.1 Optional Accessories

1.1.1 Cables and connectors

1.1.1.1 Flat cable



Item No.: 897-1052

Flat cable; B2ca; 5G 10 mm²; halogen-free; 3L + N + PE; 0.6/1 kV; 10,00 mm²; light gray

Item No.: 897-1051

Flat cable; Eca; 5G 10 mm²; PVC; 3L + N + PE; 0.6/1 kV; 10,00 mm²; light gray

Installation Notes

Conductor termination

