

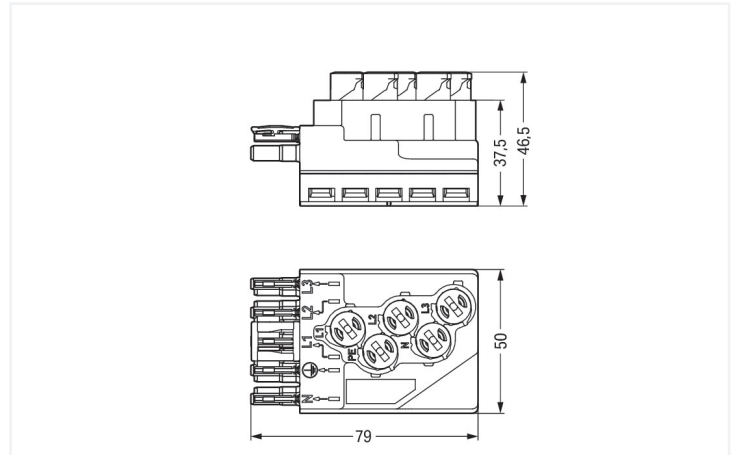
## Data Sheet | Item Number: 772-272

Tap-off module; for flat cable; 5 x 2.5 mm<sup>2</sup>; 5-pole; Cod. I; with cable connection on the output side; blue

<https://www.wago.com/772-272>



Color: ■ blue



Dimensions in mm

Tap-off module *WINSTA*® IDC rated current 25 A

For signal and power transmission: The *WINSTA*® IDC tap-off module with protection against mismatching. The pluggable installation connectors with spring pressure connection technology work completely without screw connections. They allow fast, efficient, error-free installation in numerous applications. The coding options reduce installation errors, allowing fast, maintenance-free wiring of all components. The pluggable installation connector is protected against ingress by solid objects in accordance with protection type IP20 (When mated: IP2xC (These compact connectors are not designed for use in open, easily accessible areas!)). Controlled lighting equipment, as implemented in the DALI standard, for example, is the main application of *WINSTA*® IDC pluggable installation connectors with I coding. The rated current and voltage are important criteria for selecting a pluggable installation connector: They provide information about possible domains of use and applications. This product has a current rating of 25 A – as a result it is suitable for powerful loads.

Push-in CAGE CLAMP® spring pressure connection technology – pluggable installation instead of laborious screw connections!

*WINSTA*® is the pluggable connection system that is perfectly tailored to the strict requirements of electrical installation. It offers fast, secure and, above all, error-free installation of components and cables. Choose durability and quality – with protection type IP20 from WAGO makes the installation of electrical components significantly easier.

- protection against mismatching eliminates errors
- products perfectly tailored to your requirements guarantee safe use
- for lighting management
- flexible installation to save space
- fast, secure installation

### Electrical data

Ratings per	IEC/EN 60664-1		
Overvoltage category	III	III	II
Pollution degree	3	2	2
Nominal voltage	400 V	-	-
Rated impulse withstand voltage	6 kV	-	-
Rated current	25 A	-	-

### General information

Note on contact resistance	approx. 1 mΩ of contact resistance approx. 0.25 mΩ contact transition plug/ socket
----------------------------	--

## Connection Data

Total number of potentials 5

### Connection 1

Connection technology IDC connection

Actuation type Operating tool

Pole number 5

## Physical data

Width 50 mm / 1.969 inches

Height 46.5 mm / 1.831 inches

Depth 79 mm / 3.11 inches

## Mechanical data

Use DALI, Lighting Management

Coding I

Variable coding No

Marking N ⊕ L DA- DA+

Potential marking N ⊕ L DA- DA+

Retention force of a plug-in connection When locked: > 80 N

Number of mating cycles 200, without resistive load

Protection type IP20; When mated: IP2xC (These compact connectors are not designed for use in open, easily accessible areas!)

Suitable for flat cable 5 x 2.5 mm<sup>2</sup>, 5 x 4 mm<sup>2</sup>, 5 x 2.5 mm<sup>2</sup> + 2 x 1.5 mm<sup>2</sup>

## Plug-in connection

Mismating protection Yes

Note on mismating protection All *WINSTA*® components are 100% protected against mismating when:  
 a.) plugging different numbers of poles  
 b.) plugging while rotated 180  
 c.) plugging while laterally staggered  
 d.) plugging one pole

Locking of plug-in connection Locking lever

Note on locking system All connectors for mounted installations (snap-in versions for lighting fixtures or devices, all types of PCB and distribution connectors) are factory-equipped with locking levers to ensure plugs and sockets are securely locked. Additional locking levers are only required for flying leads (plug/socket).

## Material data

Note (material data) [Information on material specifications can be found here](#)

Color blue

Insulation material (main housing) Polyamide (PA66)

Flammability class per UL94 V0

Contact material Copper or copper alloy; surface-treated

Contact Plating Tin

Fire load 1.803 MJ

Weight 82 g

### Environmental requirements

Processing temperature	-5 ... +40 °C
Continuous operating temperature	-35 ... +85 °C
Note on continuous operating temperature	Cable for temperatures ≤ 70 °C (including halogen-free) Flat cable for temperatures -15 °C to ≤ 70 °C (including halogen-free) Insulating parts for temperatures ≤ 105 °C

### Commercial data

Product Group	20 (Winsta)
PU (SPU)	10 pcs
Packaging type	unpacked
Country of origin	DE
GTIN	4055143174688
Customs tariff number	85366990990

### Product Classification

UNSPSC	39121421
eCl@ss 10.0	27-44-06-01
eCl@ss 9.0	27-44-06-01
ETIM 9.0	EC002588
ETIM 10.0	EC002588
ECCN	NO US CLASSIFICATION

### Environmental Product Compliance

RoHS Compliance Status	Compliant, No Exemption
------------------------	-------------------------

### Approvals / Certificates

#### Declarations of conformity and manufacturer's declarations

Approval	Standard	Certificate Name
EU-Declaration of Conformity WAGO GmbH & Co. KG	-	-

### Downloads

#### Environmental Product Compliance

##### Compliance Search

Environmental Product  
Compliance 772-272



## Documentation

### Bid Text

772-272	18.02.2019	docx 15.39 KB	<a href="#">↓</a>
772-272	19.02.2019	xml 3.29 KB	<a href="#">↓</a>

## CAD/CAE-Data

### CAD data

2D/3D Models 772-272



### CAE data

ZUKEN Portal 772-272



## 1 Compatible Products

### 1.1 System counterpart

#### 1.1.1 Cable assembly



**Item No.: [771-9985/206-101](#)**

pre-assembled connecting cable; Eca; Plug/open-ended; 5-pole; Cod. I; H05VV-F 5G 1.5 mm<sup>2</sup>; 1 m; 1,50 mm<sup>2</sup>; blue



**Item No.: [771-9985/006-101](#)**

pre-assembled interconnecting cable; Eca; Socket/plug; 5-pole; Cod. I; H05VV-F 5G 1.5 mm<sup>2</sup>; 1 m; 1,50 mm<sup>2</sup>; blue

#### 1.1.2 Male connector/plug



**Item No.: [770-1115](#)**

Plug; 5-pole; 4,00 mm<sup>2</sup>; blue



**Item No.: [770-1115/022-000](#)**

Plug; with strain relief housing; 5-pole; Cod. I; 4,00 mm<sup>2</sup>; blue

## 1.2 Required Accessories

### 1.2.1 Cover

#### 1.2.1.1 Cover



**Item No.: [770-201](#)**

Lockout cap; 12-pole, separable; for sockets; Plastic; black



**Item No.: [770-221](#)**

Lockout cap; 12-pole, separable; for sockets; Plastic; white

## 1.2.2 Installation

### 1.2.2.1 Mounting accessories



**Item No.: 772-260**

Mounting plate; for power supply and tap-off modules; Plastic; black

## 1.3 Optional Accessories

### 1.3.1 Cables and connectors

#### 1.3.1.1 Flat cable



**Item No.: 897-252**

Flat cable; B2ca; 5G 2.5 mm<sup>2</sup>; halogen-free; 3L + N + PE; 0.6/1 kV; 2,50 mm<sup>2</sup>; green



**Item No.: 897-262**

Flat cable; Cca; 5G 2.5 mm<sup>2</sup> + 2 x 1.5 mm<sup>2</sup>; halogen-free; 3L + N + PE + 2 buses; 0.6/1 kV; 2,50 mm<sup>2</sup>; violet



**Item No.: 897-261**

Flat cable; Eca; 5G 2.5 mm<sup>2</sup> + 2 x 1.5 mm<sup>2</sup>; PVC; 3L + N + PE + 2 buses; 0.6/1 kV; 2,50 mm<sup>2</sup>; violet



**Item No.: 897-251**

Flat cable; Eca; 5G 2.5 mm<sup>2</sup>; PVC; 3L + N + PE; 0.6/1 kV; 2,50 mm<sup>2</sup>; green



**Item No.: 897-453**

Flat cable; Eca; 5G 4 mm<sup>2</sup>; halogen-free; 3L + N + PE; 0.6/1 kV; 4,00 mm<sup>2</sup>; black

### 1.3.2 Tool

#### 1.3.2.1 Operating tool



**Item No.: 210-635**

Operating tool; Blade: 6.5 x 1.2 mm; multi-coloured



**Item No.: 210-636**

Operating tool; Blade: 6.5 x 1.2 mm; with a partially insulated shaft; multicoloured

## Installation Notes

### Conductor termination



Insert flat cable into base (observe coding!).



Mount IDC module flush with the base.

Should the IDC module jam during mounting, turn the upper part by 180° and re-mount it.



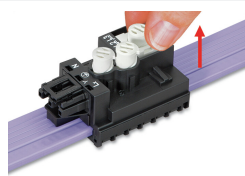
Screw down contact elements to the stop.



After connecting the flat cable, the IDC module is locked and can no longer be moved, even after unscrewing the contact element.



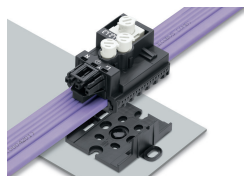
Notice: Should it be necessary to tap another phase, this must be done in a different location. To do so, the contact elements must be unscrewed and brought back to their original position.



Lift contact element to unlock phase selector and select the new phase.

Notice: Do not reuse in the same location of the flat cable.

## Installation



The mounting plate can be centrally mounted, or attached via outboard attachment points using 770-601 Mounting Pins.

Snapping a supply or tap-off module onto a mounting plate.

## Security



Use insulating tape to seal the contact holes in the flat cable after removing a module.