

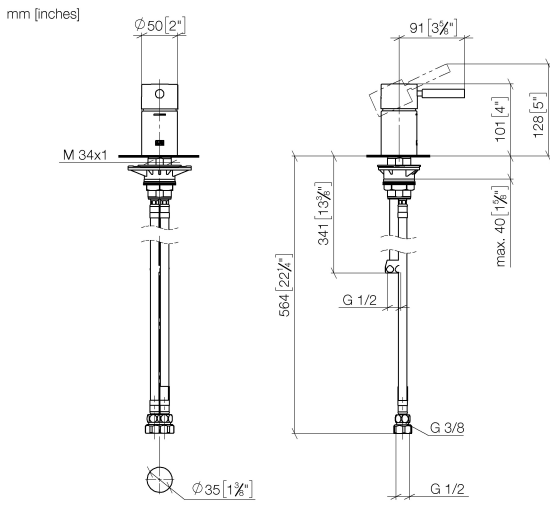
29 300 660 Product version from 7/1/2023



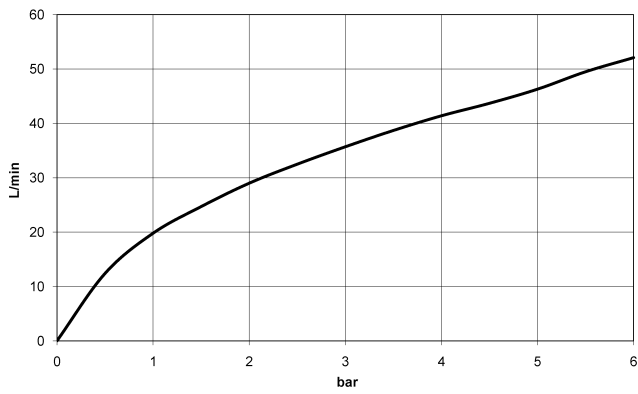
- hole diameter 35 mm
- max. flow 35.7 l/min at 3 bar flow pressure
- WRAS

	Matte Black	29 300 660-33
	Chrome	29 300 660-00
	Brushed Platinum	29 300 660-06
	Dark Chrome	29 300 660-19
	Light Gold (PVD)	29 300 660-26
	Brushed Light Gold (PVD)	29 300 660-27
	Brushed Gold (PVD)	29 300 660-37
	Brushed Dark Brass (PVD)	29 300 660-39
	Brushed Bronze (PVD)	29 300 660-42
	Brushed Dark Bronze (PVD)	29 300 660-43
	Brushed Chrome	29 300 660-93
	Brushed Dark Platinum	29 300 660-99

29 300 660 Product version from 7/1/2023



Flow rate chart



Codes & Standards

ASME A112.18.1 cUPC DIN 4109 ISO 3822

Scottish Water Byelaws UK Water Supply Regulations Ü-Zeichen



META Single-lever bath mixer for bath rim or tile edge installation - Matte Black

META

29 300 660 Product version from 7/1/2023

Certificates and sustainability

LGA_29

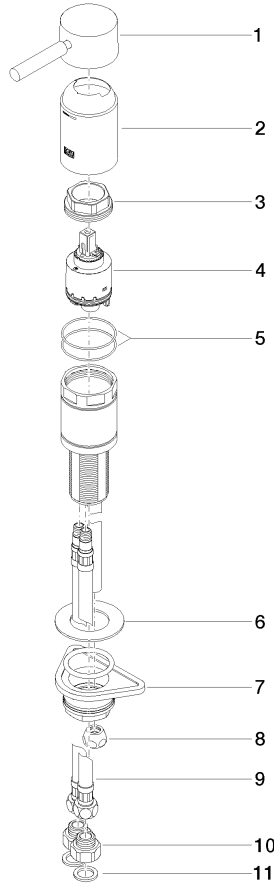
IAPMO_4976

WRAS_250502

EPD-DOR-20230287
-IBA1-EN
Environmental.prod
uct-declarat

29 300 660 Product version from 7/1/2023

Parts for other finishes can be found here: [Chrome](#)



Spare parts list

No.	Item Number	Name	Quantity used	Delivery time
11	09 14 05 004 90	Washer EPDM 70 20,8 x 14,5 x 2,0 mm -	2.00	14
4	90 15 05 039 00 90	Cartridge blue Ø 40 x 75 mm -	1.00	14
10	09 24 03 185-00	Nipple Reducing nipple 1/2" x 3/8" - Chrome	2.00	20
1	90 20 66 005 00-33	Handle for bath deck mounting Lever 52 x 35 x 117 mm - Matte Black	1.00	40
8	04 23 30 041 00 90	Connection Ø 12 mm x 1/2" -	1.00	14
6	09 30 11 060 90	Disc 60 x 34 x 2 mm -	1.00	14
7	04 23 10 044 02 90	Mounting with seals M34 x 1 -	1.00	14
9	04 30 04 021 00 90	High pressure hose with sleeve nut M10x1 x 3/8" x 500 mm -	1.00	14
5	09 14 10 201 90	O-Ring EPDM 70 45,0 x 1,5 mm -	1.00	14
2	09 28 30 037-33	Cover DB logo Ø 50 x 76,8 mm - Matte Black	1.00	40
3	09 24 04 448 90	Mounting Nut Ø 42 x 17 mm -	1.00	14