

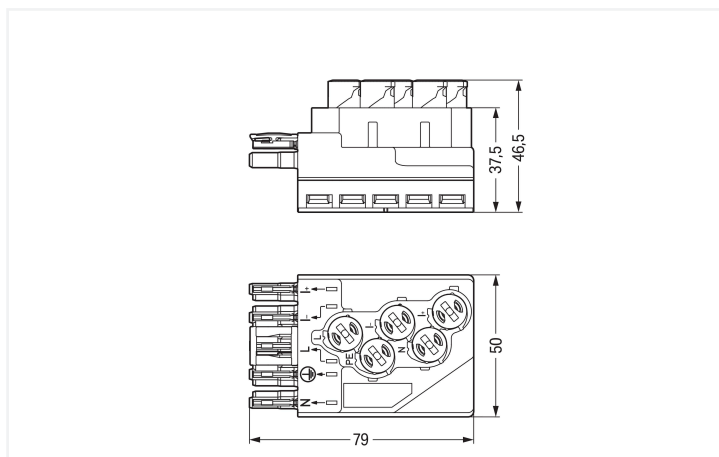
Data Sheet | Item Number: 772-278/080-000

Tap-off module; for flat cable; 5 x 2.5 mm² + 2 x 1.5 mm²; 5-pole; Cod. B; with cable connection on the output side; pink

<https://www.wago.com/772-278/080-000>



Color: ■ pink



Tap-off module *WINSTA*® IDC with protection type IP20

For signal and power transmission: The *WINSTA*® IDC tap-off module rated current 25 A. On PCBs, in control cabinets or for connecting lights – pluggable installation connectors from WAGO allow you to establish connections according to various requirements in next to no time. The color coding and mechanical coding of the pluggable installation connector ensure error-free installation of the individual components – including protection against mismatching. The pluggable installation connector is protected against ingress by solid objects in accordance with protection type IP20 (When mated: IP2xC (These compact connectors are not designed for use in open, easily accessible areas!)). B coding enables the *WINSTA*® IDC pluggable installation connectors to be used for application control in the domains of automation, mechanical engineering and robotics. Important parameters in the selection of a pluggable installation connector are the rated current and voltage: They provide information about possible domains of use and applications. This product has a current rating of 25 A – therefore it is suitable for powerful loads.

Lower costs through fast commissioning and elimination of service expenses – solutions from *WINSTA*® IDC

The *WINSTA*® Pluggable Connection System is perfectly tailored to the strict requirements of building installation. It makes electrical installation pluggable, and consequently faster, even more reliable, and error-free. Using this pre-assembled system decreases time spent on assembly and errors during installation at the construction site. Now you can also reduce installation expenses without compromising quality and safety: with protection type IP20 eliminates the need for servicing and prevents unnecessary downtime.

- effective protection against mismatching
- products perfectly tailored to your requirements guarantee safe use
- for automation controllers
- ready to install and use immediately

- rapid, structured electrical installation

Electrical data

Ratings per	IEC/EN 60664-1		
Overvoltage category	III	III	II
Pollution degree	3	2	2
Nominal voltage	400 V	-	-
Rated impulse withstand voltage	6 kV	-	-
Rated current	25 A	-	-

General information

Note on contact resistance	approx. 1 mΩ of contact resistance approx. 0.25 mΩ contact transition plug/ socket
----------------------------	--

Connection Data

Total number of potentials	5
----------------------------	---

Connection 1

Connection technology	IDC connection
Actuation type	Operating tool
Pole number	5

Physical data

Width	50 mm / 1.969 inches
Height	46.5 mm / 1.831 inches
Depth	79 mm / 3.11 inches

Mechanical data

Use	Control technology
Coding	B
Variable coding	Yes
Marking	N ⊕ L I- I+
Potential marking	N ⊕ L I- I+
Retention force of a plug-in connection	When locked: > 80 N
Number of mating cycles	200, without resistive load 100, with resistive load $I_N = 25$ A, tested (4 mm ²)
Protection type	IP20; When mated: IP2xC (These compact connectors are not designed for use in open, easily accessible areas!)
Suitable	for flat cable 5 x 2.5 mm ² , 5 x 4 mm ² , 5 x 2.5 mm ² + 2 x 1.5 mm ²

Plug-in connection

Mismatching protection	Yes
Note on mismatching protection	All <i>WINSTA</i> ® components are 100% protected against mismatching when: a.) plugging different numbers of poles b.) plugging while rotated 180 c.) plugging while laterally staggered d.) plugging one pole
Locking of plug-in connection	Locking lever
Note on locking system	All connectors for mounted installations (snap-in versions for lighting fixtures or devices, all types of PCB and distribution connectors) are factory-equipped with locking levers to ensure plugs and sockets are securely locked. Additional locking levers are only required for flying leads (plug/socket).

Material data

Note (material data)	Information on material specifications can be found here
Color	pink
Insulation material (main housing)	Polyamide (PA66)
Flammability class per UL94	V0
Contact material	Copper or copper alloy; surface-treated
Contact Plating	Tin
Fire load	1.871 MJ
Weight	76.6 g

Environmental requirements

Continuous operating temperature	-35 ... +85 °C
Note on continuous operating temperature	Cable for temperatures ≤ 70 °C (including halogen-free) Flat cable for temperatures -15 °C to ≤ 70 °C (including halogen-free) Insulating parts for temperatures ≤ 105 °C

Commercial data

PU (SPU)	10 pcs
Packaging type	Box
Country of origin	DE
GTIN	4066966154689
Customs tariff number	85366990990

Product Classification

ETIM 9.0	EC002588
ETIM 10.0	EC002588
ECCN	NO US CLASSIFICATION

Environmental Product Compliance

RoHS Compliance Status	Compliant, No Exemption
------------------------	-------------------------

Approvals / Certificates


Declarations of conformity and manufacturer's declarations

Approval	Standard	Certificate Name
EU-Declaration of Confor- mity WAGO GmbH & Co. KG	-	-

Downloads

Environmental Product Compliance

Compliance Search

Environmental Product Compliance 

772-278/080-000

1 Compatible Products

1.1 System counterpart

1.1.1 Male connector/plug



Item No.: 770-255/060-000
 Plug; 5-pole; Cod. B; 4,00 mm²; gray

1.2 Required Accessories

1.2.1 Cover

1.2.1.1 Cover



Item No.: 770-201
 Lockout cap; 12-pole, separable; for sockets; Plastic; black



Item No.: 770-221
 Lockout cap; 12-pole, separable; for sockets; Plastic; white

1.2.2 Installation

1.2.2.1 Mounting accessories



Item No.: 772-260
 Mounting plate; for power supply and tap-off modules; Plastic; black

1.3 Optional Accessories

1.3.1 Cables and connectors

1.3.1.1 Flat cable



Item No.: 897-252
 Flat cable; B2ca; 5G 2.5 mm²; halogen-free; 3L + N + PE; 0.6/1 kV; 2,50 mm²; green



Item No.: 897-262
 Flat cable; Cca; 5G 2.5 mm² + 2 x 1.5 mm²; halogen-free; 3L + N + PE + 2 buses; 0.6/1 kV; 2,50 mm²; violet



Item No.: 897-261
 Flat cable; Eca; 5G 2.5 mm² + 2 x 1.5 mm²; PVC; 3L + N + PE + 2 buses; 0.6/1 kV; 2,50 mm²; violet



Item No.: 897-251
 Flat cable; Eca; 5G 2.5 mm²; PVC; 3L + N + PE; 0.6/1 kV; 2,50 mm²; green



Item No.: 897-453
 Flat cable; Eca; 5G 4 mm²; halogen-free; 3L + N + PE; 0.6/1 kV; 4,00 mm²; black

1.3.2 Tool

1.3.2.1 Operating tool



Item No.: 210-635

Operating tool; Blade: 6.5 x 1.2 mm; multi-coloured



Item No.: 210-636

Operating tool; Blade: 6.5 x 1.2 mm; with a partially insulated shaft; multicoloured

Installation Notes

Conductor termination



Insert flat cable into base (observe coding).



Mount IDC module flush with the base.

Should the IDC module jam during mounting, turn the upper part by 180° and re-mount it.



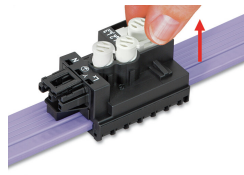
Screw down contact elements to the stop.



After connecting the flat cable, the IDC module is locked and can no longer be moved, even after unscrewing the contact element.



Notice: Should it be necessary to tap another phase, this must be done in a different location. To do so, the contact elements must be unscrewed and brought back to their original position.



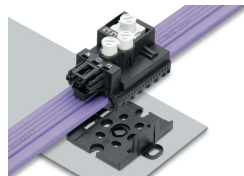
Lift contact element to unlock phase selector and select the new phase.

Notice: Do not reuse in the same location of the flat cable.

Installation



The mounting plate can be centrally mounted, or attached via outboard attachment points using 770-601 Mounting Pins.



Snapping a supply or tap-off module onto a mounting plate.

Security



Use insulating tape to seal the contact holes in the flat cable after removing a module.