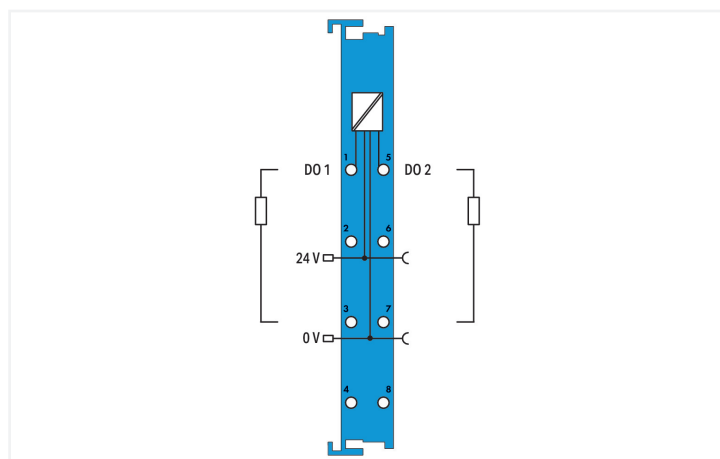
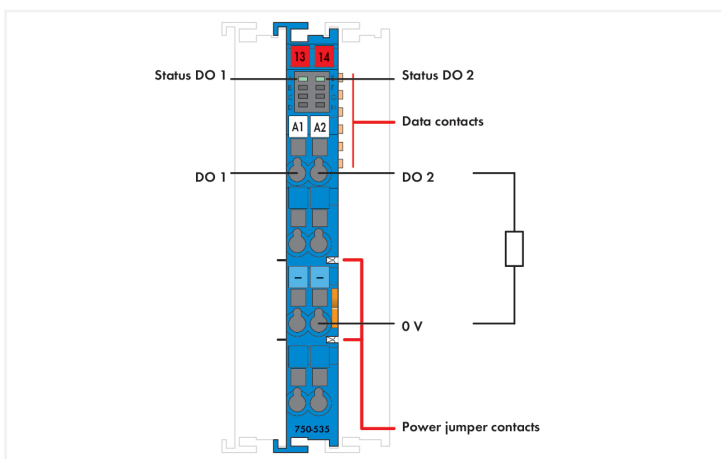


Color: ■ blue



This digital output module controls actuators operating in Zone 0+1 hazardous areas. Intrinsically safe magnetic valves can be directly controlled. The WAGO I/O System 750/753 must be installed either in Zone 2 or in a non-hazardous area. All outputs are electronically short-circuit-protected.

- Indicators:
- Green LED (output status)

Field and system levels are electrically isolated.

Notes

Note

The digital output module must only be operated via 24 VDC Ex i!
 General information on explosion protection, including installation regulations, can be found in the WAGO I/O System 750/753 manuals!

Technical data

| | |
|--|--|
| Item description | 2-Channel Digital Output; 24 VDC |
| Number of digital outputs | 2 |
| Total number of channels (module) | 2 |
| Signal type | Digital |
| Signal type (voltage) | 24 VDC |
| Actuator connection | 2 x (2-wire) |
| Output characteristic | high-side switching |
| Switching frequency (max.) | 1 kHz |
| Load type | Resistive, inductive, lamp load |
| Internal resistance R_i | 285 Ω |
| Intrinsically safe Ex i | Yes |
| Output data width (internal) max. | 2 bits |
| Supply voltage (system) | 5 VDC; via data contacts |
| Current consumption (5 V system supply) | 7 mA |
| Supply voltage (field) | 24 VDC; (Ex i power supply: $U_o = \text{max. } 26.8 \text{ V}$); via power jumper contacts (supply via blade contact; distribution via spring contact) |
| Current consumption, field supply (module with no external load) | 8.5 mA |
| Power consumption P_{max} | 2.1 W (at 40 mA output current) |
| Power loss P_i | 1.1 W (at 40 mA output current) |
| Isolation | 300 VAC system/supply |
| Number of incoming power jumper contacts | 2 |
| Number of outgoing power jumper contacts | 2 |
| Current carrying capacity (power jumper contacts) | 1 A |
| Indicators | LED (A, E) green: Status DO 1, DO 2 |

Explosion protection

| | |
|--------------------------------|---|
| Identification | ATEX: II 3 (1) G Ex ec [ja Ga] IIC T4 Gc; II (1) D [Ex ia Da] IIIC; I (M1) [Ex ia Ma] I IECEx/INMETRO: Ex ec [ja Ga] IIC T4 Gc; [Ex ia Da] IIIC; [Ex ia Ma] I cULus (Zone classified): Cl I Zn 2 AEx nA [ja Ga] IIC T4 Gc; Cl I Zn 2 AEx nA [ja IIIC] IIC T4 Gc; Ex nA [ja Ga] IIC T4 Gc X; Ex nA [ja IIIC] IIC T4 Gc X cULus (Devison classified): Class I, Div. 2, Group A B C D, T4 |
| Ex standard | EN IEC 60079-0, -7, -11 |
| Safety-relevant data (circuit) | $U_o = 26.8 \text{ V}$; $I_o = 99.91 \text{ mA}$; $P_o = 669.43 \text{ mW}$; linear characteristic curve |
| Reactances Ex ia IIC | $L_o = 3.56 \text{ mH}$; $C_o = 92 \text{ nF}$ |
| Reactances Ex ia IIB | $L_o = 14.24 \text{ mH}$; $C_o = 720 \text{ nF}$ |
| Reactances Ex ia IIA | $L_o = 28.49 \text{ mH}$; $C_o = 2.37 \text{ }\mu\text{F}$ |
| Reactances Ex ia I | $L_o = 46.75 \text{ mH}$; $C_o = 4.2 \text{ }\mu\text{F}$ |
| Reactances (note) | Reactances without accounting for the concurrence of capacitance (C_o) and inductance (L_o) |

Connection Data

| | |
|---------------------------------|--|
| Connection technology: I/O | 4 x CAGE CLAMP® |
| Connectable conductor materials | Copper |
| Connection type | Inputs/outputs |
| Solid conductor | 0.08 ... 2.5 mm ² / 28 ... 14 AWG |
| Fine-stranded conductor | 0.08 ... 2.5 mm ² / 28 ... 14 AWG |
| Strip length | 8 ... 9 mm / 0.31 ... 0.35 inches |

Physical data

| | |
|-----------------------------------|------------------------|
| Width | 12 mm / 0.472 inches |
| Height | 100 mm / 3.937 inches |
| Depth | 67.8 mm / 2.669 inches |
| Depth from upper-edge of DIN-rail | 60.6 mm / 2.386 inches |

Mechanical data

| | |
|---------------|-------------|
| Mounting type | DIN-35 rail |
|---------------|-------------|

Material data

| | |
|--------------------|------------------------------|
| Color | blue |
| Housing material | Polycarbonate; polyamide 6.6 |
| Fire load | 1.02 MJ |
| Weight | 50.6 g |
| Conformity marking | CE |

Environmental requirements

| | |
|--|--|
| Ambient temperature (operation) | 0 ... +55 °C |
| Ambient temperature (storage) | -25 ... +85 °C |
| Protection type | IP20 |
| Pollution degree | 2 per IEC 61131-2 |
| Operating altitude | 0 ... 2000 m / 0 ... 6562 ft |
| Mounting position | Horizontal left, horizontal right, horizontal top, horizontal bottom, vertical top and vertical bottom |
| Relative humidity (without condensation) | 95 % |
| Vibration resistance | 4g per IEC 60068-2-6 |
| Shock resistance | 15g per IEC 60068-2-27 |
| EMC immunity to interference | per EN 61000-6-2, marine applications |
| EMC emission of interference | per EN 61000-6-3, marine applications |
| Exposure to pollutants | per IEC 60068-2-42 and IEC 60068-2-43 |
| Permissible H ₂ S contaminant concentration at a relative humidity 75 % | 10 ppm |
| Permissible SO ₂ contaminant concentration at a relative humidity 75 % | 25 ppm |

Commercial data

| | |
|-----------------------|-----------------|
| Product Group | 15 (I/O System) |
| PU (SPU) | 1 pcs |
| Packaging type | Box |
| Country of origin | DE |
| GTIN | 4045454725563 |
| Customs tariff number | 85371098990 |

Product Classification

| | |
|-------------|----------------------|
| UNSPSC | 32151705 |
| eCl@ss 10.0 | 27-24-26-04 |
| eCl@ss 9.0 | 27-24-26-04 |
| ETIM 9.0 | EC001599 |
| ETIM 10.0 | EC001599 |
| ECCN | NO US CLASSIFICATION |

Environmental Product Compliance

| | |
|---|---|
| CAS-No. | 1303-86-2 1317-36-8 7439-92-1 |
| REACH Candidate List Substance | Diboron trioxide Lead Lead monoxide |
| RoHS Compliance Status | Compliant,With Exemption |
| RoHS Exemption | 6(c) 7(a) 7(c)-I 7(c)-II |
| SCIP notification number (Austria) | 3e8a7c97-7b4c-474f-8496-a74b87b60f3a |
| SCIP notification number (Belgium) | c678f146-be73-484d-b0de-61357b04328e |
| SCIP notification number (Bulgaria) | d76645dc-92f6-42bf-b85b-a6283a5e8cf9 |
| SCIP notification number (Czech Republic) | 9115435c-3460-47a9-8ceb-24f4edf25ec4 |
| SCIP notification number (Denmark) | 0a6e1a82-33d4-4c0e-a321-1e09a38cffc6 |
| SCIP notification number (Finland) | e55ceb70-edb6-41e8-b9f6-7c5c0cc1a8a8 |
| SCIP notification number (France) | 196b02a7-97b4-46ba-b4ef-72e1e9851dc1 |
| SCIP notification number (Germany) | 0d000e2e-b07c-48cd-a924-0b87e6f27ed3 |
| SCIP notification number (Hungary) | ec63c6e2-00bf-453b-8860-e9ea2efc8b98 |
| SCIP notification number (Italy) | e2235fe7-3bf1-4430-98f5-9d59c75f8261 |
| SCIP notification number (Netherlands) | 63345460-c84a-4e9c-8209-e8fbab45e814 |
| SCIP notification number (Poland) | eb32fd0f-3adb-470f-83b8-915ff70fca7c |
| SCIP notification number (Romania) | 7c292429-f237-4f30-8bdd-96319a6914b5 |
| SCIP notification number (Sweden) | b2dae171-c90d-4037-8b49-57d02324377b |

Approvals / Certificates

General approvals



| Approval | Standard | Certificate Name |
|---|------------------------|---------------------|
| EAC GZO Almaty Standart | TP TC 020/2011 | EAC CoC 03083 |
| KC National Radio Research Agency | Article 58-2, Clause 3 | MSIP-REM-W43-DOM750 |
| UL Underwriters Laboratories Inc. (ORDINARY LOCATIONS) | UL 508 | E175199 |

Declarations of conformity and manufacturer's declarations

| Approval | Standard | Certificate Name |
|---|----------|------------------|
| EU-Ex-Declaration of Conformity WAGO GmbH & Co. KG | - | - |

Approvals for marine applications



| Approval | Standard | Certificate Name |
|------------------------------------|------------------------|------------------|
| ABS American Bureau of Shipping | - | 22-2219060 |
| BV Bureau Veritas S.A. | - | 13453/E0 BV |
| DNV DNV GL SE | DNV-CG-0339, Aug. 2021 | TAA0000194 |

Approvals for marine applications

| | | |
|-----------------------------------|---|-------------------|
| KR Korean Register of Shipping | - | KR HMB05880-AC001 |
| LR Lloyds Register EMEA | - | LR22180952TA |
| PRS Polski Rejestr Statków | - | TE/1101/880590/23 |
| RINA RINA Germany GmbH | - | ELE343521XG001 |

Approvals for hazardous areas



| Approval | Standard | Certificate Name |
|--|------------------------------|---|
| AEx UL International Germany GmbH | UL 60079 | E480271 |
| ATEX TUEV Nord Cert GmbH | EN 60079-0 | TUEV12ATEX106032X (Ex ec[iaGa] IIC T4 Gc, [Ex ia-Da] IIIC, [Ex iaMa] I) |
| CCC CNEC | CNCA-C23-01 | 2020312310000211 (Ex ec[iaGa] IIC T4 Gc, [Ex ia-Da] IIIC, [Ex iaMa] I) |
| IECEX TUEV Nord Cert GmbH | IEC 60079 | IECEX TUN12.0039X (Ex ec[iaGa] IIC T4 Gc, [Ex ia-Da] IIIC, [Ex iaMa] I) |
| INMETRO TÜV Rheinland do Brasil Ltda. | - | TÜV_14.1911_X |
| KTL Korea Testing Laboratory | KOSHA Article 34, IEC60079-0 | 21-KA4BO-0559X |
| UL Underwriters Laboratories Inc. (HAZARDOUS LOCATIONS) | UL 121201 | E198726 |

Downloads

Environmental Product Compliance

| Compliance Search |
|--|
| Environmental Product Compliance 750-535 ↓ |

Documentation

| Manual | | | |
|---------------------------------------|--|-------------------|-------------------|
| Product Manual 2-channel, 24VDC, Ex i | 2483848971 3 en-US 2025-06-03 08:46 14.11.2025 | pdf 2340.35 KB | ↓ |
| System Manual Series 750/753 | | | ↓ |

| System Description | | |
|---|------------------|-------------------|
| 750/753 Series I/O-System – General Product Information | pdf 953.35 KB | ↓ |
| Overview on WAGO-I/O-SYSTEM 750 approvals | pdf 770.48 KB | ↓ |
| Ex i Overview | pdf 442.07 KB | ↓ |

| Bid Text | | | |
|----------|------------|-----------------|-------------------|
| 750-535 | 19.02.2019 | xml 5.70 KB | ↓ |
| 750-535 | 06.10.2017 | doc 30.50 KB | ↓ |

| Instruction Leaflet | | | |
|---------------------------------|------------|------------------|-------------------|
| CCC Ex (Additional information) | 26.04.2023 | pdf 143.96 KB | ↓ |

CAD/CAE-Data

CAD data

2D/3D Models 750-535

CAE data

EPLAN Data Portal 750-535

WSCAD Universe 750-535

ZUKEN Portal 750-535

Device Files

Device Driver

| | | | |
|--|-----------------------|-------------------|--|
| WAGO USB Service Kabel Treiber / Serie 750 und 857 | 6.5.3.0 10.09.2014 | zip 4721.96 KB | |
|--|-----------------------|-------------------|--|

1 Compatible Products

1.1 Optional Accessories

1.1.1 DIN-rail

1.1.1.1 Mounting accessories



Item No.: 210-196
Aluminum carrier rail; 35 x 8.2 mm; 1.6 mm thick; 2 m long; unslotted; similar to EN 60715; silver-colored



Item No.: 210-198
Copper carrier rail; 35 x 15 mm; 2.3 mm thick; 2 m long; unslotted; according to EN 60715; copper-colored



Item No.: 210-197
Steel carrier rail; 35 x 15 mm; 1.5 mm thick; 2 m long; slotted; similar to EN 60715; silver-colored



Item No.: 210-114
Steel carrier rail; 35 x 15 mm; 1.5 mm thick; 2 m long; unslotted; similar to EN 60715; silver-colored



Item No.: 210-118
Steel carrier rail; 35 x 15 mm; 2.3 mm thick; 2 m long; unslotted; according to EN 60715; silver-colored



Item No.: 210-115
Steel carrier rail; 35 x 7.5 mm; 1 mm thick; 2 m long; slotted; according to EN 60715; "Hole width 18 mm; silver-colored



Item No.: 210-112
Steel carrier rail; 35 x 7.5 mm; 1 mm thick; 2 m long; slotted; according to EN 60715; "Hole width 25 mm; silver-colored



Item No.: 210-113
Steel carrier rail; 35 x 7.5 mm; 1 mm thick; 2 m long; unslotted; according to EN 60715; silver-colored

1.1.2 Marking

1.1.2.1 Group marker carrier



Item No.: 750-107
Group marker carrier

1.1.2.2 Marker



Item No.: 2009-145/000-006
Mini-WSB Inline; for Smart Printer; 1700 pieces on roll; stretchable 5 - 5.2 mm; plain; snap-on type; blue



Item No.: 2009-145/000-007
Mini-WSB Inline; for Smart Printer; 1700 pieces on roll; stretchable 5 - 5.2 mm; plain; snap-on type; gray



Item No.: 2009-145/000-023
Mini-WSB Inline; for Smart Printer; 1700 pieces on roll; stretchable 5 - 5.2 mm; plain; snap-on type; green



Item No.: 2009-145/000-012
Mini-WSB Inline; for Smart Printer; 1700 pieces on roll; stretchable 5 - 5.2 mm; plain; snap-on type; orange



Item No.: 2009-145/000-005
Mini-WSB Inline; for Smart Printer; 1700 pieces on roll; stretchable 5 - 5.2 mm; plain; snap-on type; red



Item No.: 2009-145/000-024
Mini-WSB Inline; for Smart Printer; 1700 pieces on roll; stretchable 5 - 5.2 mm; plain; snap-on type; violet



Item No.: 2009-145
Mini-WSB Inline; for Smart Printer; 1700 pieces on roll; stretchable 5 - 5.2 mm; plain; snap-on type; white



Item No.: 2009-145/000-002
Mini-WSB Inline; for Smart Printer; 1700 pieces on roll; stretchable 5 - 5.2 mm; plain; snap-on type; yellow

1.1.2.2 Marker



Item No.: 248-501/000-006

Mini-WSB marking card; as card; not stretchable; plain; snap-on type; blue



Item No.: 248-501/000-007

Mini-WSB marking card; as card; not stretchable; plain; snap-on type; gray



Item No.: 248-501/000-023

Mini-WSB marking card; as card; not stretchable; plain; snap-on type; green



Item No.: 248-501/000-017

Mini-WSB marking card; as card; not stretchable; plain; snap-on type; light green



Item No.: 248-501/000-012

Mini-WSB marking card; as card; not stretchable; plain; snap-on type; orange



Item No.: 248-501/000-005

Mini-WSB marking card; as card; not stretchable; plain; snap-on type; red



Item No.: 248-501/000-024

Mini-WSB marking card; as card; not stretchable; plain; snap-on type; violet



Item No.: 248-501

Mini-WSB marking card; as card; not stretchable; plain; snap-on type; white



Item No.: 248-501/000-002

Mini-WSB marking card; as card; not stretchable; plain; snap-on type; yellow

1.1.2.3 Marker carrier



Item No.: 750-103

Group marker carrier

1.1.3 Shield termination

1.1.3.1 Shield clamping saddles



Item No.: 790-108

Shield clamping saddle; 11 mm wide; diameter of compatible conductor; 3 ... 8 mm



Item No.: 790-208

Shield clamping saddle; 12.4 mm wide; 3 ... 8 mm



Item No.: 790-116

Shield clamping saddle; 19 mm wide; diameter of compatible conductor; 7 ... 16 mm



Item No.: 790-216

Shield clamping saddle; 21.8 mm wide; 6 ... 16 mm



Item No.: 790-124

Shield clamping saddle; 27 mm wide; diameter of compatible conductor; 6 ... 24 mm



Item No.: 790-220

Shield clamping saddle; 30 mm wide; 6 ... 20 mm



Item No.: 790-140

Shield clamping saddle; diameter of compatible conductor

1.1.4 Supply module

1.1.4.1 Supply module



Item No.: 750-606

Power Supply; 24 VDC; Diagnostics; Intrinsically safe



Item No.: 750-625/000-001

Power Supply; 24 VDC; Intrinsically safe