

Hooks in two parts - Matte Black

SERIES SPECIFIC

83 256 979 Product version from 11/1/2004



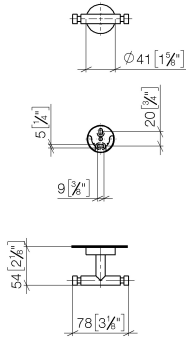
- width 80mm
- rosette Ø 40 mm
- 55mm projection

Fits ELIO, ENO, MEM, META SQUARE, SYNC and TARA ULTRA

	Matte Black	83 256 979-33
	Chrome	83 256 979-00
	Brushed Platinum	83 256 979-06
	Dark Chrome	83 256 979-19
	Brushed Durabronze (23kt Gold)	83 256 979-28
	Brushed Gold (PVD)	83 256 979-37
	Brushed Dark Brass (PVD)	83 256 979-39
	Brushed Bronze (PVD)	83 256 979-42
	Brushed Dark Bronze (PVD)	83 256 979-43
	Brushed Champagne (22kt Gold)	83 256 979-46
	Champagne (22kt Gold)	83 256 979-47
	Brushed Chrome	83 256 979-93
	Brushed Dark Platinum	83 256 979-99

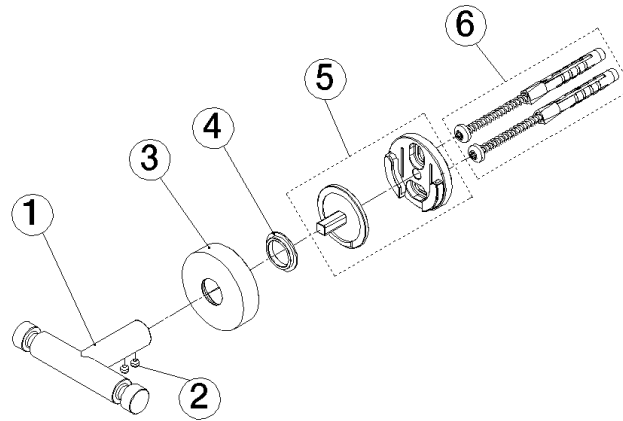
83 256 979 Product version from 11/1/2004

mm [inches]



83 256 979 Product version from 11/1/2004

Parts for other finishes can be found here: Chrome



Spare parts list

No.	Item Number	Name	Quantity used	Delivery time
1	05 18 60 519 01-33	Hooks double 78 x 13 x 47 mm - Matte Black	1.00	40
2	90 31 11 038 00 90	Mounting Threaded pin with hexagon socket with cup point M4 x 3 mm -	2.00	14
3	08 27 97 500-33	Rosette Ø 40,5 x 11 mm - Matte Black	1.00	40
4	08 30 11 516 90	Ring Ø 20 x 3 mm -	1.00	14
6	05 30 31 025 00 90	Mounting Bolt Round head 4,5 x 60 mm -	1.00	14
5	05 17 97 501 01 90	Wall bracket + holder (square) 35 x 35 x 20 mm -	1.00	14