

Product data sheet

Specifications



basic analog output kit STB - +/- 10 V - 2 O - 9 bits + sign

STBAVO1265K

⚠ To be discontinued on: Dec 1, 2027

⚠ To be end-of-service on: Dec 31, 2035

⚠ To be discontinued

Main

Range of product	Modicon STB distributed I/O solution
Product or component type	Basic analog output kit
Kit composition	STBAVO1265 module STBXTS2100, 6-terminal spring clamp connector STBXTS1100, 6-terminal screw type connector STBXBA1000 base
Product compatibility	Mounting base STBXBA1000 Power distribution module STBPDT3100/3105
Analogue input number	0
Analogue output number	2

Complementary

Analogue output current	0.02 A
Response time	3 ms
Cold swapping	Yes
Fallback status	State 0
Data format	IEC 61131-2 EN 61131-2
Update time	25 ms
Absolute accuracy error	+/- 0.5 % of full scale per °C
Integral linearity	+/- 0.1 %FS
Differential linearity	Monotonic
Addressing requirement	2 output words
Supply	Power distribution module
Analogue output type	Voltage: +/- 10 V
Output protection type	Short-circuit protection
Temperature drift	+/-0.01 %/°C
Typical current consumption	40 mA at 5 V DC for logic bus
Isolation between channels and bus	1500 V for 1 minute
Local signalling	1 LED green for module status (RDY)
Overvoltage category	II
Height	13.9 mm
Width	128.3 mm

Depth	70 mm
Product weight	0.115 kg

Environment

IP degree of protection	IP20
Marking	CE
Product certifications	CSA FM Class 1 Division 2 UL
Ambient air temperature for operation	0...60 °C (without derating)
Ambient air temperature for storage	-40...85 °C without derating
Relative humidity	95 % at 60 °C without condensation
Operating altitude	<= 2000 m
Pollution degree	2
Vibration resistance	5 gn (f = 58...150 Hz) on 35 mm DIN rail 3 gn (f = 58...150 Hz) on 35 mm DIN rail +/-0.35 mm (f = 10...58 Hz)
Shock resistance	30 gn for 11 ms conforming to IEC 88 reference 2-27

Packing Units

Unit Type of Package 1	PCE
Number of Units in Package 1	1
Package 1 Height	2.700 cm
Package 1 Width	8.000 cm
Package 1 Length	13.000 cm
Package 1 Weight	136.000 g
Unit Type of Package 2	S02
Number of Units in Package 2	28
Package 2 Height	15.000 cm
Package 2 Width	30.000 cm
Package 2 Length	40.000 cm
Package 2 Weight	4.110 kg

Contractual warranty

Warranty (in months)	18
----------------------	----



Environmental Data

Schneider Electric aims to achieve Net Zero status by 2050 through supply chain partnerships, lower impact materials, and circularity via our ongoing “Use Better, Use Longer, Use Again” campaign to extend product lifetimes and recyclability.

[Environmental Data explained >](#)

[How we assess product sustainability >](#)

Use Better

Materials and Substances	
Packaging made with recycled cardboard	No
Packaging without single use plastic	No
SCIP Number	6830dd70-e4bc-47df-85c7-e41f888576f4
EU RoHS Directive	Compliant By Exemption
REACH Regulation	Reference contains Substances of Very High Concern above the threshold
California proposition 65	WARNING: This product can expose you to chemicals including: Lead and lead compounds, which is known to the State of California to cause cancer and birth defects or other reproductive harm. For more information go to www.P65Warnings.ca.gov

Use Longer

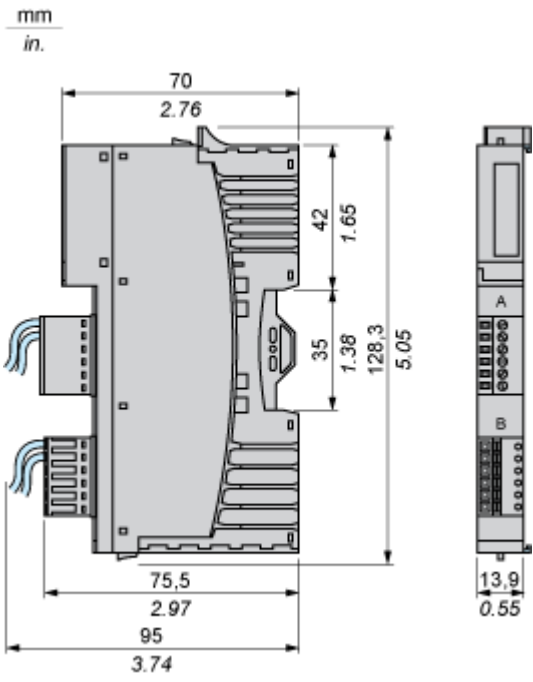
Lifetime extension	
Repair	No

Use Again

Repack and remanufacture	
Take-back	No

Dimensions Drawings

Dimensions

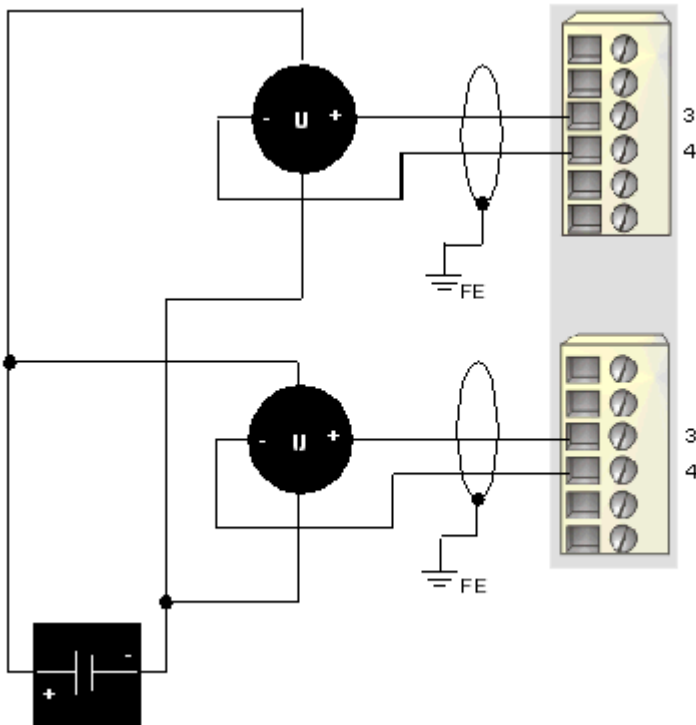


Connections and Schema

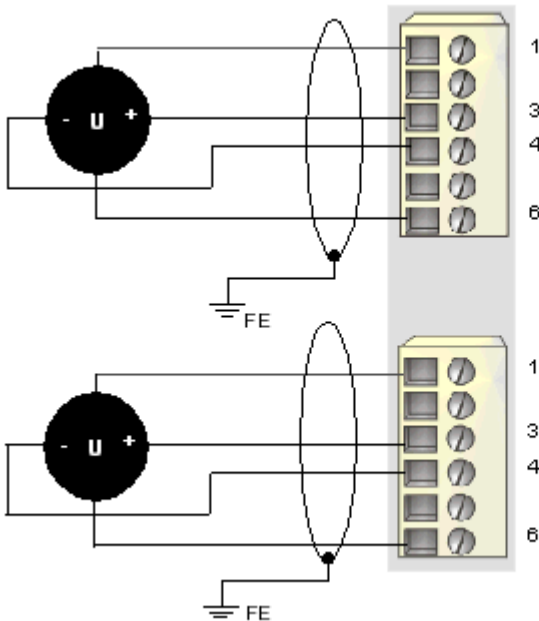
Wiring Diagrams

Examples

2 isolated analog actuators, external 24 VDC power supply



2 non-isolated analog actuators, 24 VDC supplied by the PDM



Pin	Top Connections	Bottom Connections
1	+24 VDC from the island's field power bus for field device accessories	+24 VDC from the island's field power bus for field device accessories
2	no connection	no connection

Pin	Top Connections	Bottom Connections
3	output to actuator 1	output to actuator 2
4	output channel return	output channel return
5	no connection	no connection
6	field power return (to the module)	field power return (to the module)