

Technische Daten/ Technical Data

KLUDI A-QA

head shower 1 S

250mm

DN 15

Ref.: 64325NO-00

Finishes:

NO Brushed Gold (18) PVD

Product description

Manufacturer KLUDI GmbH & Co. KG

Typ: KLUDI A-QA

head shower 1 S

250mm

Ref.: 64325NO-00

head shower 1 S

1 spray pattern

with cleaning system

flow rate at 3 bar 23 l/min.

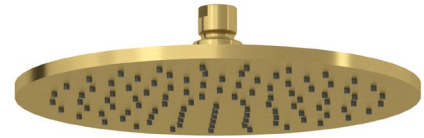
connection G1/2

with ball joint

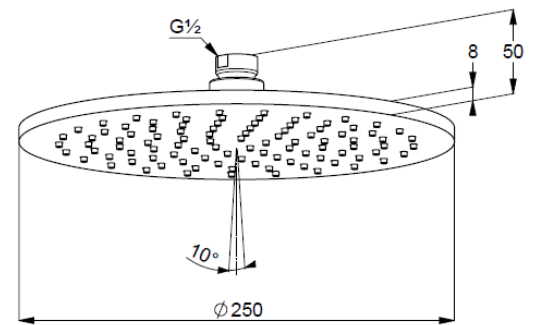
Ø 250mm

sieve seal

Produktabbildung/ Product picture



Maßzeichnung/ Dimensional drawing



Durchfluss/ Flow rate

