

# Hand shower set with integrated shower holder - Brushed Dark Bronze (PVD) SERIES SPECIFIC

27 812 660 Product version from 9/1/2025



- COMPACT RAIN, max. flow rate 15 l/min (at 3 bar)
- Function from: 5 l/min
- inherently safe from back flow
- with anti-scale system
- metal shower hose 1250mm with integrated anti-twist protection

**technical data:**

- rosette Ø 60 mm
- 1/2" connection

**Notes:**

	Brushed Dark Bronze (PVD)	27 812 660-43
	Chrome	27 812 660-00
	Brushed Platinum	27 812 660-06
	Platinum	27 812 660-08
	Dark Chrome	27 812 660-19
	Light Gold (PVD)	27 812 660-26
	Brushed Light Gold (PVD)	27 812 660-27
	Brushed Durabronze (23kt Gold)	27 812 660-28
	Matte Black	27 812 660-33
	Brushed Gold (PVD)	27 812 660-37
	Brushed Dark Brass (PVD)	27 812 660-39
	Brushed Bronze (PVD)	27 812 660-42
	Brushed Champagne (22kt Gold)	27 812 660-46
	Champagne (22kt Gold)	27 812 660-47
	Brushed Chrome	27 812 660-93
	Brushed Dark Platinum	27 812 660-99

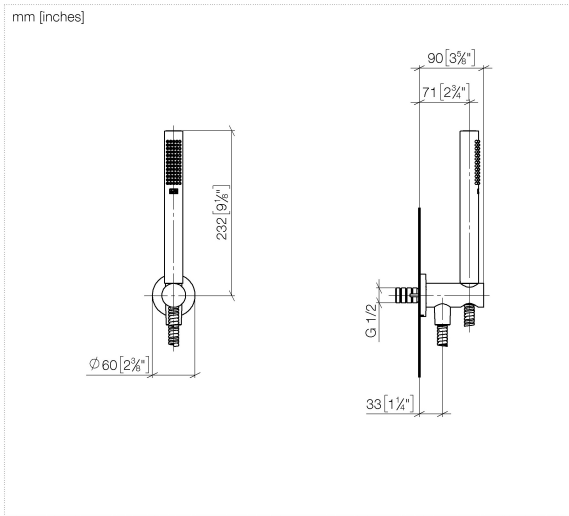
## Recommended miscellaneous



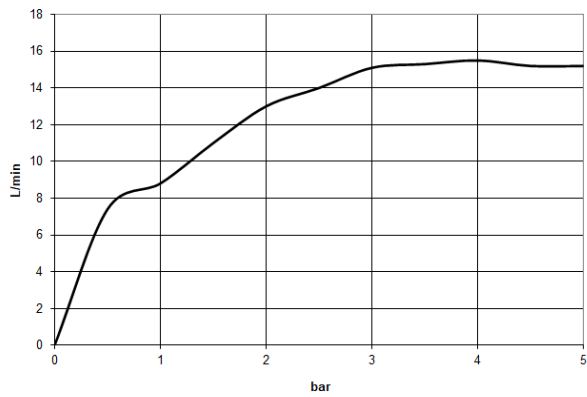
- Concealed wall elbow -**
- min. recess depth 90 mm
  - max. recess depth 163 mm

35 085 970 90

27 812 660 Product version from 9/1/2025



**Flow rate chart**



**Codes & Standards**

EN 1717



## Hand shower set with integrated shower holder - Brushed Dark Bronze (PVD) SERIES SPECIFIC

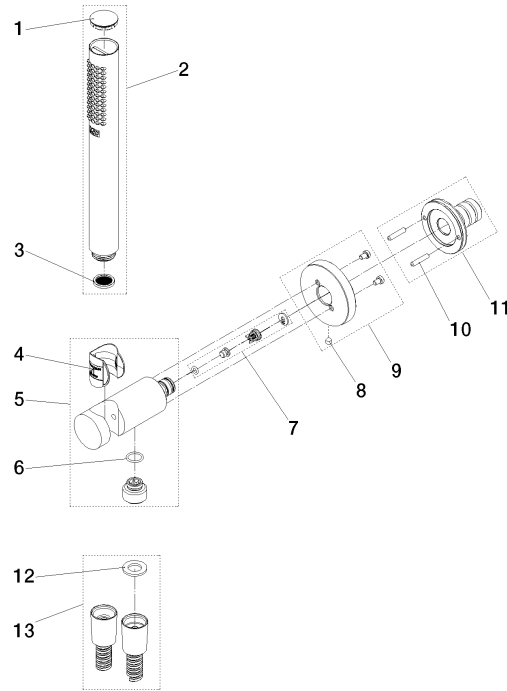
---

27 812 660 Product version from 9/1/2025

Certificates and sustainability

---

Belgaqua\_25-344-2



### Spare parts list

No.	Item Number	Name	Quantity used	Delivery time
13	90 30 02 008 00-43	hose	1.00	-
Spare part can no longer be ordered, please order the replacement item				
10	90 24 03 325 00 90	nipple	1.00	14
12	90 14 20 026 00 90	Washer 14 x 8 x 2 mm Centellen WS 3820 -	1.00	14
9	90 27 66 029 00-43	rosette	1.00	-
Spare part can no longer be ordered, please order the replacement item				
8	90 31 11 112 00 90	Mounting Threaded pin M5 x 6 mm -	1.00	14
11	04 31 11 115 00 90	bag with threaded pin M4 x 20 mm -	1.00	14
4	09 18 40 216 90	Sleeve 29 x 32 x 29 mm -	1.00	14
6	09 14 10 213 90	O-Ring EPDM 70 12,0 x 1,5 mm -	1.00	14
7	90 23 01 131 00 90	Back-flow preventer -	1.00	14
3	09 23 01 039 90	Sieve seal Ø 19 x 5,5 mm -	1.00	14
5	90 11 03 137 00-43	connection	1.00	-
Spare part can no longer be ordered, please order the replacement item				
1	09 21 02 170-43	Cap for rinsing spray Ø 26,6 x 5 mm - Brushed Dark Bronze (PVD)	1.00	82
2	90 12 11 140 40-43	shower	1.00	82