

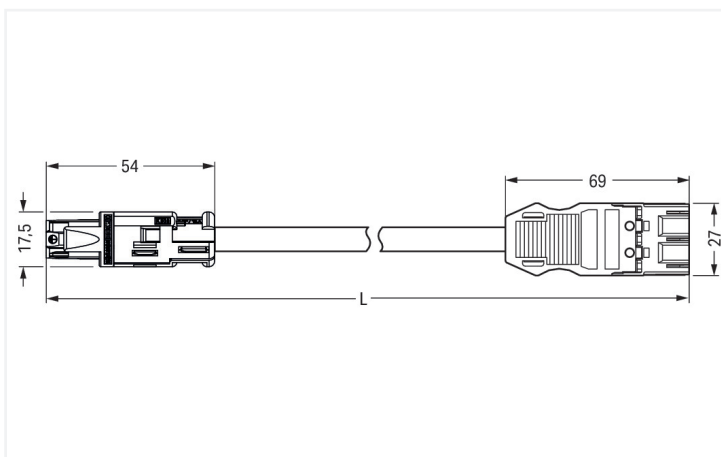
**Data Sheet | Item Number: 774-9273/1516-105**

pre-assembled adapter cable; B2ca; Socket/plug MIDI; 3-pole; Cod. S; H05Z1Z1-F  
3x1,5 mm<sup>2</sup>; 1 m; 1,50 mm<sup>2</sup>; brown

<https://www.wago.com/774-9273/1516-105>



Color: ■ brown



Dimensions in mm

Cable assembly WINSTA® RD rated current 16 A

The WINSTA® RD cable assembly with protection against mismatching supports fast, reliable installation. Our pluggable installation connectors with spring pressure connection technology work without screw connections. They allow fast, efficient, error-free installation in numerous applications. The mechanical coding and color coding of the pluggable installation connector ensure error-free installation of the individual components – including protec-

tion against mismatching. The pluggable installation connector is protected against ingress by solid objects in accordance with protection type IP20 (When mated: IP2xC (These compact connectors are not designed for use in open, easily accessible areas!)). WINSTA® RD: Solutions from this product line are suitable for drill holes and conduits with diameters up to 20 mm. Anyone who needs to worry about technical safety requirements related to fire protection for electrical installation should use only top quality components. Our product meets the important safety standards of fire class B2. Eliminating halogens as an additive in the manufacture of this cable assembly noticeably improves fire safety and reduces environmental contamination.

Pluggable connections instead of screw connections – cable assemblies from WAGO

The cable is pre-assembled with a RD socket and a MIDI plug. WINSTA® is the pluggable connection system that is ideally tailored to the strict requirements of electrical installation. It offers error-free installation of cables and components, quickly and reliably. Enjoy the benefits of the pluggable version of our maintenance-free spring pressure connection technology too! Plan your installation with with protection against mismatching from WAGO.

- pluggable installation connectors with protection against mismatching
- products perfectly tailored to your requirements guarantee safe use
- for AC applications
- flexible installation to save space
- quick replacement of defective units during ongoing operation

## Notes

Note Cables with a different fire class can be found in the eShop.

## Electrical data

Ratings per	IEC/EN 60664-1		
Overvoltage category	III	III	II
Pollution degree	3	2	2
Nominal voltage	250 V	-	-
Rated impulse withstand voltage	4 kV	-	-
Rated current	16 A	-	-

## General information

Note on contact resistance approx. 1 mΩ of contact resistance  
approx. 0.25 mΩ contact transition plug/socket

## Connection Data

Total number of potentials 3

## Connection 1

Pole number 3  
Wire cross-section 1.5 mm<sup>2</sup>  
Connection type RD socket - MIDI plug

## Physical data

Width 27 mm / 1.063 inches  
Height 17.5 mm / 0.689 inches  
Total length 1 m

## Mechanical data

Use Switching function  
Coding S  
Variable coding No  
Marking 1 2 L  
Potential marking L 2 1  
Mating force of a plug-in connection Approx. 30 ... 70 N (depending on pole number)  
Retention force of a plug-in connection when locked: > 80N  
Unmating force of a plug-in connection Unlocked: approx. 30 ... 70 N (depending on pole number)  
Number of mating cycles 200, without resistive load  
Connection type RD socket - MIDI plug  
Type of pre-assembled cable Adapter cable  
Cable type H05Z1Z1-F 3x1.5

### Mechanical data

Protection type	IP20; When mated: IP2xC (These compact connectors are not designed for use in open, easily accessible areas!)
-----------------	---

### Plug-in connection

Mismating protection	Yes
Note on mismating protection	All <i>WINSTA</i> ® components are 100% protected against mismating when: a.) plugging different numbers of poles b.) plugging while incorrectly rotated c.) plugging while laterally staggered
Locking of plug-in connection	Locking lever

### Material data

Note (material data)	<a href="#">Information on material specifications can be found here</a>
Color	brown
Insulation material (main housing)	Polyamide (PA66)
Flammability class per UL94	V0
Fire class per EN 50575	B2 <sub>ca</sub>
Contact material	Copper or copper alloy; surface-treated
Contact Plating	Tin
Fire load	0.487 MJ
Connector color	brown
Strain relief color	black
Sheathed cable color	black
Printing color of sheathed cable	white
Halogen-free	Yes
Silicon-free	Yes
Sheath material	Halogen-free
Rubber cable	No
Weight	115.5 g
Copper weight of the raw cable	0.043 kg/m

### Environmental requirements

Processing temperature	-5 ... +40 °C
Continuous operating temperature	-35 ... +85 °C
Note on continuous operating temperature	Cable for temperatures ≤ 70 °C (including halogen-free) Insulating parts for temperatures ≤ 105 °C




### Commercial data

PU (SPU)	1 pcs
Packaging type	unpacked
Country of origin	DE
GTIN	4055143798266
Customs tariff number	85444290900

Product Classification	
UNSPSC	26121629
eCl@ss 10.0	27-44-06-04
eCl@ss 9.0	27-44-06-04
ETIM 9.0	EC002587
ETIM 10.0	EC002587
ECCN	NO US CLASSIFICATION

Environmental Product Compliance	
RoHS Compliance Status	Compliant, No Exemption

### Approvals / Certificates

General approvals	Declarations of conformity and manufacturer's declarations																								
  																									
<table border="1"> <thead> <tr> <th>Approval</th> <th>Standard</th> <th>Certificate Name</th> </tr> </thead> <tbody> <tr> <td>CCA DEKRA Certification B.V.</td> <td>EN 61535</td> <td>NTR NL-7969</td> </tr> <tr> <td>CCA DEKRA Certification B.V.</td> <td>EN 61984</td> <td>NTR NL-7848</td> </tr> <tr> <td>KEMA/KEUR DEKRA Certification B.V.</td> <td>EN 61535</td> <td>71-123229</td> </tr> <tr> <td>KEMA/KEUR DEKRA Certification B.V.</td> <td>EN 61984</td> <td>71-114944</td> </tr> </tbody> </table>	Approval	Standard	Certificate Name	CCA DEKRA Certification B.V.	EN 61535	NTR NL-7969	CCA DEKRA Certification B.V.	EN 61984	NTR NL-7848	KEMA/KEUR DEKRA Certification B.V.	EN 61535	71-123229	KEMA/KEUR DEKRA Certification B.V.	EN 61984	71-114944	<table border="1"> <thead> <tr> <th>Approval</th> <th>Standard</th> <th>Certificate Name</th> </tr> </thead> <tbody> <tr> <td>EU-Declaration of Confor- mity WAGO GmbH &amp; Co. KG</td> <td>-</td> <td>-</td> </tr> <tr> <td>UK-Declaration of Confor- mity WAGO GmbH &amp; Co. KG</td> <td>-</td> <td>-</td> </tr> </tbody> </table>	Approval	Standard	Certificate Name	EU-Declaration of Confor- mity WAGO GmbH & Co. KG	-	-	UK-Declaration of Confor- mity WAGO GmbH & Co. KG	-	-
Approval	Standard	Certificate Name																							
CCA DEKRA Certification B.V.	EN 61535	NTR NL-7969																							
CCA DEKRA Certification B.V.	EN 61984	NTR NL-7848																							
KEMA/KEUR DEKRA Certification B.V.	EN 61535	71-123229																							
KEMA/KEUR DEKRA Certification B.V.	EN 61984	71-114944																							
Approval	Standard	Certificate Name																							
EU-Declaration of Confor- mity WAGO GmbH & Co. KG	-	-																							
UK-Declaration of Confor- mity WAGO GmbH & Co. KG	-	-																							

### Downloads

Environmental Product Compliance	
Compliance Search	
Environmental Product Compliance 774-9273/1516-105	<a href="#">↓</a>