

# Concord

Solstice 200 1800lm LUMI 930 DALI  
2070160



## Features

- The Solstice 200 1800lm LUMI 930 DALI is a high efficient DALI dimmable downlight luminaire, Colour rendering index Ra>96, Colour temperature: 3000K Warm White, Class II, Protection rating IP40/IP20, Cut out dimensions: 200mm.Melanopic Ratio /MEER 0.619

## Product Overview

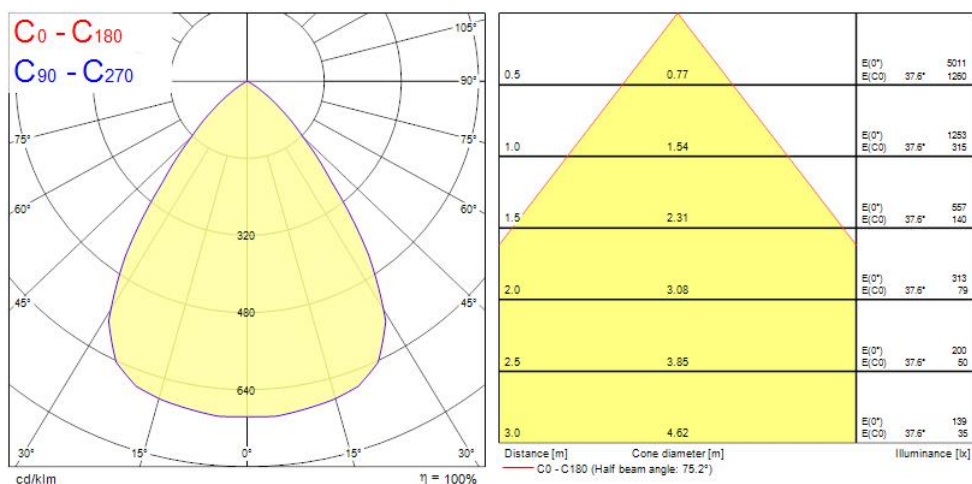
Product name	Solstice 200 1800lm LUMI 930 DALI
Technology	LED
Cap/Base	N/A
Housing	Aluminium
Mount	Ceiling recessed mounting
General application	Hospitality, Office, Retail
ETIM Class	EC001744
E-number FI	4262087
Fixture luminous flux (lm)	1800
Luminaire efficacy (lm/W)	100
LOR (%)	100
Correlated colour temperature (k)	3000
Light colour	Warm White
CRI (Ra)	95
Colour Consistency (SDCM)	3
Colour Variation Initial (SDCM)	3
Beam Angle (°)	70
Glare control	< 19
Photobiological Risk Group	RG0

# Concord

## Solstice 200 1800lm LUMI 930 DALI 2070160

<b>Total power consumption (W)</b>	18
<b>Electrical protection</b>	Class II
<b>Control gear type</b>	LED driver constant current
<b>Dimmable</b>	Yes
<b>Minimum dimming level (%)</b>	1
<b>LED Flickering Rate</b>	Ultra low (5% or less)
<b>Housing colour</b>	RAL9016
<b>IP rating</b>	IP40/20
<b>IK rating</b>	IK02
<b>Product EAN number</b>	5025768701605
<b>Warranty</b>	5 years
<b>Dimming method</b>	DALI, DALI-2, Switch-dim (mains-rated)

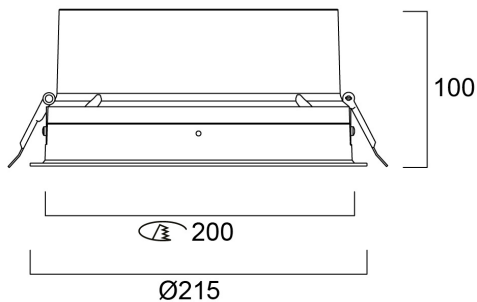
### Photometry



# Concord

Solstice 200 1800lm LUMI 930 DALI  
2070160

## Technical drawings



## Data table

### GENERAL DATA

Product name	Solstice 200 1800lm LUMI 930 DALI
Technology	LED
Cap/Base	N/A
Housing	Aluminium
Mount	Ceiling recessed mounting
General application	Hospitality, Office, Retail
Operating temperature range (°C)	-10°C...+40°C
Performance ambient temperature Tq (°C)	40
ETIM Class	EC001744
E-number FI	4262087
Warranty	5 years

### OPTICAL DATA

Fixture luminous flux (lm)	1800
Luminaire efficacy (lm/W)	100

# Concord

## Solstice 200 1800lm LUMI 930 DALI 2070160

LOR (%)	100
Correlated colour temperature (k)	3000
Light colour	Warm White
CRI (Ra)	95
Colour Variation Initial (SDCM)	3
Colour Consistency (SDCM)	3
Beam Angle (°)	70
Distribution type	Symmetric
Glare control	< 19
Photobiological Risk Group	RG0

### ELECTRICAL DATA

Total power consumption (W)	18
Current (A)	500
Primary Supply/Product voltage - min (V)	220.0
Primary Supply/Product voltage - max (V)	240.0
Lamp power factor	0.96
THD (at 230 V, 50 Hz, full load, at 100% dimming level) ≤ xx.x %	7
Electrical protection	Class II
Control gear required	No
Control gear type	LED driver constant current
Dimmable	Yes
Dimming method	DALI, DALI-2, Switch-dim (mains-rated)
Minimum dimming level (%)	1
Drive current (mA)	500
Inrush Current (A)	25
Inrush Duration (µs)	141
Energy Efficiency Class (A->G) of contained light source	E
Nominal Frequency (Hz)	50/60Hz
LED Flickering Rate	Ultra low (5% or less)
Max. products per 10A C Breaker	31
Max. products per 13A C Breaker	40
Max. products per 16A C Breaker	51

# Concord

## Solstice 200 1800lm LUMI 930 DALI 2070160

Max. products per 20A C Breaker	66
Max. products per 10A B Breaker	19
Max. products per 13A B Breaker	24
Max. products per 16A B Breaker	31
Max. products per 20A B Breaker	40
Connectable conductor cross section - Min (mm <sup>2</sup> )	0.5
Connectable conductor cross section - Max (mm <sup>2</sup> )	2.5

### LIFETIME DATA

Lifespan L70 B50	90000
Lifespan L80 B20	90000
Lifespan L80 B10	90000
Lifespan L90 B10	90000

### PHYSICAL DATA

Housing colour	RAL9016
IP rating	IP40/20
IK rating	IK02
Diffuser finish	Diffuse
Diffuser material	PC Polycarbonate
Reflector finish	High-gloss
Nominal Product Height (mm)	100
Nominal Product Diameter (mm)	215
Built-in diameter (mm)	200
Max. Lamp Diameter (mm) - D	215
Weight (kg)	1.3
Recessed Depth (mm)	150

### PACKAGING

Product EAN number	5025768701605
Packaging single length / height (cm)	30.0
Packaging single width (cm)	30.0

# Concord

Solstice 200 1800lm LUMI 930 DALI  
2070160

Packaging single depth (cm)	12.5
DUN14 (inner)	05025768701605
Units per outer package	1
Packaging outer length / height (cm)	30.0
Packaging outer width (cm)	30.0
Packaging outer depth (cm)	12.5

## SAFETY DATA

Glow Wire Test (°C)	850
Optimal operating condition (°C)	-10-40
Special purpose lamp	No
Dry applications use only	No
Suitable for household illumination	No