

Concord

Solstice 200 1900lm LUMI 940 DALI
2070161



Features

- The Solstice 200 1900lm LUMI 940 DALI is a high efficient DALI dimmable downlight luminaire, Colour rendering index Ra>96, Colour temperature: 4000K Neutral White, Class II, Protection rating IP40/IP20, Cut out dimensions: 200mm.Melanopic Ratio /MEER 0.817

Product Overview

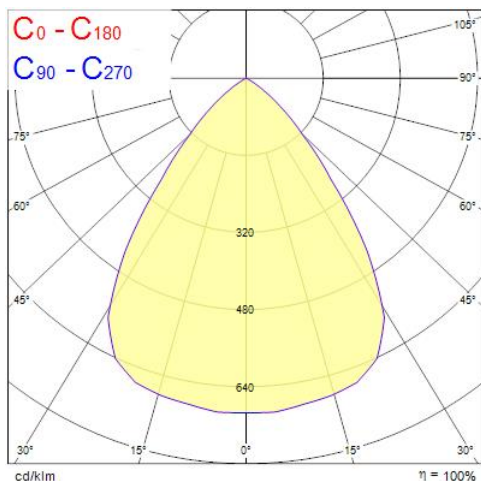
Product name	Solstice 200 1900lm LUMI 940 DALI
Technology	LED
Cap/Base	N/A
Housing	Aluminium
Mount	Ceiling recessed mounting
General application	Hospitality, Office, Retail
ETIM Class	EC001744
E-number FI	4262088
Fixture luminous flux (lm)	1900
Luminaire efficacy (lm/W)	106
LOR (%)	100
Correlated colour temperature (k)	4000
Light colour	Neutral White
CRI (Ra)	97
Colour Consistency (SDCM)	3
Colour Variation Initial (SDCM)	3
Beam Angle (°)	70
Glare control	< 19
Photobiological Risk Group	RG1

Concord

Solstice 200 1900lm LUMI 940 DALI 2070161

Total power consumption (W)	18
Electrical protection	Class II
Control gear type	LED driver constant current
Dimmable	Yes
Minimum dimming level (%)	1
LED Flickering Rate	Ultra low (5% or less)
Housing colour	RAL9016
IP rating	IP40/20
IK rating	IK02
Product EAN number	5025768701612
Warranty	5 years
Dimming method	DALI, DALI-2, Switch-dim (mains-rated)

Photometry



0.5	0.77	E(0°) E(C0)	37.7°	5276 1513
1.0	1.55	E(0°) E(C0)	37.7°	1319 328
1.5	2.32	E(0°) E(C0)	37.7°	586 146
2.0	3.09	E(0°) E(C0)	37.7°	330 82
2.5	3.86	E(0°) E(C0)	37.7°	211 53
3.0	4.64	E(0°) E(C0)	37.7°	147 36

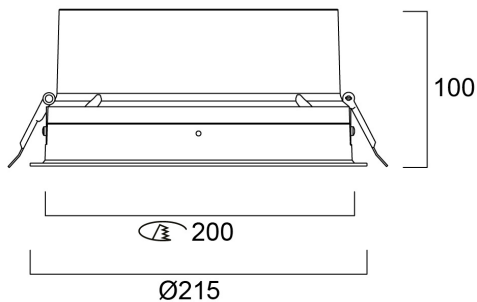
Distance [m] Cone diameter [m] Illuminance [lx]

— C₀ - C₁₈₀ (Half beam angle: 75.4°)

Concord

Solstice 200 1900lm LUMI 940 DALI
2070161

Technical drawings



Data table

GENERAL DATA

Product name	Solstice 200 1900lm LUMI 940 DALI
Technology	LED
Cap/Base	N/A
Housing	Aluminium
Mount	Ceiling recessed mounting
General application	Hospitality, Office, Retail
Operating temperature range (°C)	-10°C...+40°C
Performance ambient temperature Tq (°C)	40
ETIM Class	EC001744
E-number FI	4262088
Warranty	5 years

OPTICAL DATA

Fixture luminous flux (lm)	1900
Luminaire efficacy (lm/W)	106

Concord

Solstice 200 1900lm LUMI 940 DALI 2070161

LOR (%)	100
Correlated colour temperature (k)	4000
Light colour	Neutral White
CRI (Ra)	97
Colour Variation Initial (SDCM)	3
Colour Consistency (SDCM)	3
Beam Angle (°)	70
Distribution type	Symmetric
Glare control	< 19
Photobiological Risk Group	RG1

ELECTRICAL DATA

Total power consumption (W)	18
Primary Supply/Product voltage - min (V)	220.0
Primary Supply/Product voltage - max (V)	240.0
Lamp power factor	0.96
THD (at 230 V, 50 Hz, full load, at 100% dimming level) ≤ xx.x %	7
Electrical protection	Class II
Control gear required	No
Control gear type	LED driver constant current
Dimmable	Yes
Dimming method	DALI, DALI-2, Switch-dim (mains-rated)
Minimum dimming level (%)	1
Drive current (mA)	500
Inrush Current (A)	25
Inrush Duration (µs)	141
Energy Efficiency Class (A->G) of contained light source	E
Nominal Frequency (Hz)	50/60Hz
LED Flickering Rate	Ultra low (5% or less)
Max. products per 10A C Breaker	31
Max. products per 13A C Breaker	40
Max. products per 16A C Breaker	51
Max. products per 20A C Breaker	66

Concord

Solstice 200 1900lm LUMI 940 DALI 2070161

Max. products per 10A B Breaker	19
Max. products per 13A B Breaker	24
Max. products per 16A B Breaker	31
Max. products per 20A B Breaker	40
Connectable conductor cross section - Min (mm ²)	0.5
Connectable conductor cross section - Max (mm ²)	2.5

LIFETIME DATA

Lifespan L70 B50	90000
Lifespan L80 B20	90000
Lifespan L80 B10	90000
Lifespan L90 B10	90000

PHYSICAL DATA

Housing colour	RAL9016
IP rating	IP40/20
IK rating	IK02
Diffuser finish	Diffuse
Diffuser material	PC Polycarbonate
Reflector finish	High-gloss
Nominal Product Height (mm)	100
Nominal Product Diameter (mm)	215
Built-in diameter (mm)	200
Max. Lamp Diameter (mm) - D	215
Weight (kg)	1.3
Recessed Depth (mm)	150

PACKAGING

Product EAN number	5025768701612
Packaging single length / height (cm)	30.0
Packaging single width (cm)	30.0
Packaging single depth (cm)	12.5

Concord

Solstice 200 1900lm LUMI 940 DALI
2070161

DUN14 (inner)	05025768701612
Units per outer package	1
Packaging outer length / height (cm)	30.0
Packaging outer width (cm)	30.0
Packaging outer depth (cm)	12.5

SAFETY DATA

Glow Wire Test (°C)	850
Optimal operating condition (°C)	-10-40
Special purpose lamp	No
Dry applications use only	No
Suitable for household illumination	No