


83 510 361 Product version from 7/3/2016

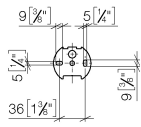
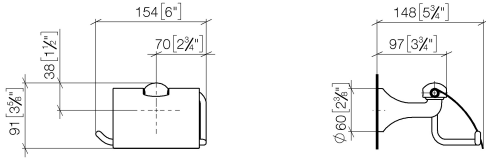


- width 145mm
- height 90 mm
- 150mm projection

| | | |
|---|-------------------------------|---------------|
|  | Chrome | 83 510 361-00 |
|  | Brushed Platinum | 83 510 361-06 |
|  | Platinum | 83 510 361-08 |
|  | Durabress (23kt Gold) | 83 510 361-09 |
|  | Brushed Durabress (23kt Gold) | 83 510 361-28 |
|  | Brushed Gold (PVD) | 83 510 361-37 |
|  | Brushed Dark Brass (PVD) | 83 510 361-39 |
|  | Brushed Bronze (PVD) | 83 510 361-42 |
|  | Brushed Dark Platinum | 83 510 361-99 |

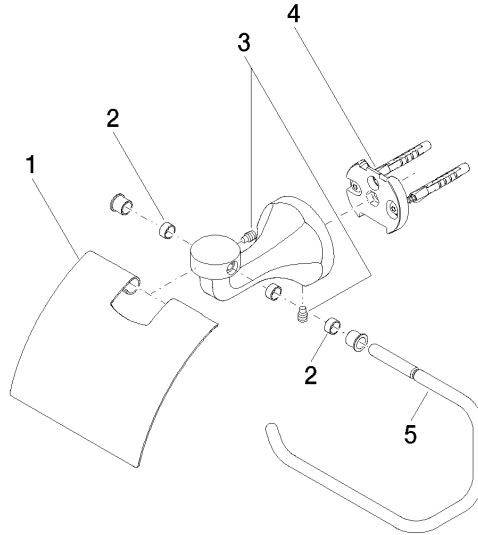
83 510 361 Product version from 7/3/2016

mm [inches]



83 510 361 Product version from 7/3/2016

Parts for other finishes can be found here: Brushed Platinum



Spare parts list

| No. | Item Number | Name | Quantity used | Delivery time |
|-----|--------------------|---|---------------|---------------|
| 3 | 04 31 11 140 00 90 | Mounting Threaded pin M6 x 10 mm - | 2.00 | 14 |
| 2 | 08 18 40 505 90 | Sleeve Ø 9,95 x 8,25 x 5,00 mm - | 2.00 | 14 |
| 1 | 08 11 02 508-00 | Cover for toilet roll holder 120 x 110 x 22 mm - Chrome | 1.00 | 20 |
| 4 | 05 17 97 507 00 90 | Attachment set 52 x 45 x 70 mm - | 1.00 | 14 |
| 5 | 08 18 70 501-00 | Hanger 125 x 185 x 50 mm - Chrome | 1.00 | 20 |