

# Concord

Solstice 200 1800lm 940 DALI GB  
2070230



## Features

- The Solstice 200 1800lm 940 DALI GB is a high efficient DALI dimmable downlight luminaire, Colour rendering index Ra>90, Colour temperature: 4000K Neutral White, Class II, Protection rating IP40/IP20, Cut out dimensions: 200mm.

## Product Overview

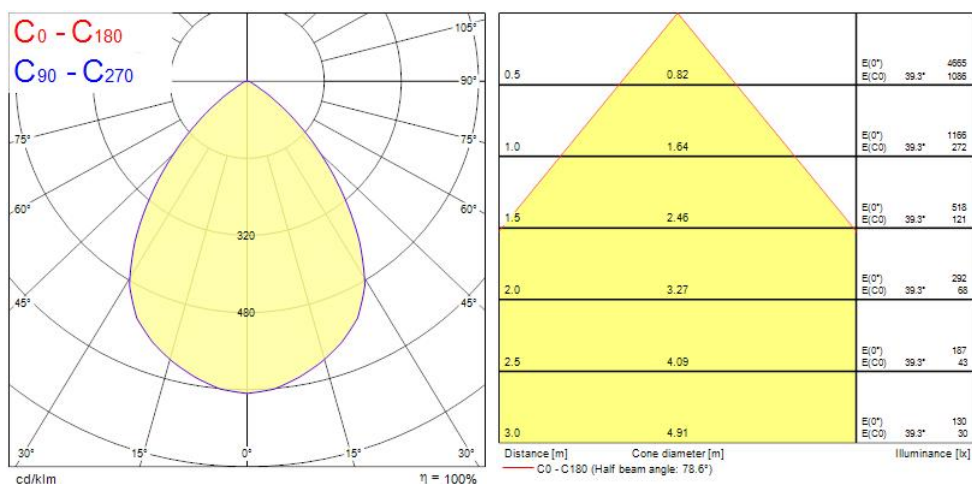
Product name	Solstice 200 1800lm 940 DALI GB
Technology	LED
Cap/Base	N/A
Housing	Aluminium
Mount	Ceiling recessed mounting
General application	Retail
ETIM Class	EC001744
E-number FI	4262095
Fixture luminous flux (lm)	1800
Luminaire efficacy (lm/W)	106
LOR (%)	100
Correlated colour temperature (k)	4000
Light colour	Neutral White
CRI (Ra)	90
Colour Consistency (SDCM)	3
Colour Variation Initial (SDCM)	3
Beam Angle (°)	70
Glare control	< 20
Photobiological Risk Group	RG1

# Concord

Solstice 200 1800lm 940 DALI GB  
2070230

Total power consumption (W)	17
Electrical protection	Class II
Control gear type	LED driver constant current
Dimmable	Yes
Minimum dimming level (%)	1
LED Flickering Rate	Ultra low (5% or less)
Housing colour	RAL9005
IP rating	IP40/20
IK rating	IK02
Product EAN number	5025768702305
Warranty	5 years
Dimming method	DALI, DALI-2, Switch-dim (mains-rated)

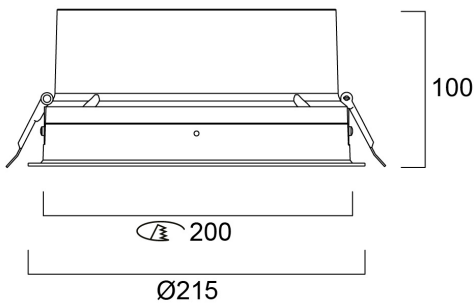
## Photometry



# Concord

Solstice 200 1800lm 940 DALI GB  
2070230

## Technical drawings



## Data table

### GENERAL DATA

Product name	Solstice 200 1800lm 940 DALI GB
Technology	LED
Cap/Base	N/A
Housing	Aluminium
Mount	Ceiling recessed mounting
General application	Retail
Operating temperature range (°C)	-10°C...+40°C
Performance ambient temperature Tq (°C)	40
ETIM Class	EC001744
E-number FI	4262095
Warranty	5 years

### OPTICAL DATA

Fixture luminous flux (lm)	1800
Luminaire efficacy (lm/W)	106

# Concord

Solstice 200 1800lm 940 DALI GB  
2070230

LOR (%)	100
Correlated colour temperature (k)	4000
Light colour	Neutral White
CRI (Ra)	90
Colour Variation Initial (SDCM)	3
Colour Consistency (SDCM)	3
Beam Angle (°)	70
Distribution type	Symmetric
Glare control	< 20
Photobiological Risk Group	RG1

## ELECTRICAL DATA

Total power consumption (W)	17
Primary Supply/Product voltage - min (V)	220.0
Primary Supply/Product voltage - max (V)	240.0
Lamp power factor	0.96
THD (at 230 V, 50 Hz, full load, at 100% dimming level) ≤ xx.x %	7
Electrical protection	Class II
Control gear required	No
Control gear type	LED driver constant current
Dimmable	Yes
Dimming method	DALI, DALI-2, Switch-dim (mains-rated)
Minimum dimming level (%)	1
Drive current (mA)	450
Inrush Current (A)	25
Inrush Duration (µs)	141
Energy Efficiency Class (A->G) of contained light source	C
Nominal Frequency (Hz)	50/60Hz
LED Flickering Rate	Ultra low (5% or less)
Max. products per 10A C Breaker	31
Max. products per 13A C Breaker	40
Max. products per 16A C Breaker	51
Max. products per 20A C Breaker	66

# Concord

## Solstice 200 1800lm 940 DALI GB 2070230

Max. products per 10A B Breaker	19
Max. products per 13A B Breaker	24
Max. products per 16A B Breaker	31
Max. products per 20A B Breaker	40
Connectable conductor cross section - Min (mm <sup>2</sup> )	0.5
Connectable conductor cross section - Max (mm <sup>2</sup> )	2.5

### LIFETIME DATA

Lifespan L70 B50	120000
Lifespan L80 B20	120000
Lifespan L80 B10	120000
Lifespan L90 B10	68000

### PHYSICAL DATA

Housing colour	RAL9005
IP rating	IP40/20
IK rating	IK02
Diffuser finish	Diffuse
Diffuser material	PC Polycarbonate
Reflector finish	Other
Nominal Product Height (mm)	100
Nominal Product Diameter (mm)	215
Built-in diameter (mm)	200
Max. Lamp Diameter (mm) - D	215
Weight (kg)	1.3
Recessed Depth (mm)	150

### PACKAGING

Product EAN number	5025768702305
Packaging single length / height (cm)	30.0
Packaging single width (cm)	30.0
Packaging single depth (cm)	12.5

# Concord

Solstice 200 1800lm 940 DALI GB  
**2070230**

---

DUN14 (inner)	05025768702305
Units per outer package	1
Packaging outer length / height (cm)	30.0
Packaging outer width (cm)	30.0
Packaging outer depth (cm)	12.5

## SAFETY DATA

---

Glow Wire Test (°C)	850
Optimal operating condition (°C)	-10-40
Special purpose lamp	No
Dry applications use only	No
Suitable for household illumination	No