



Features

- Perfect for decorative and general lighting applications and creates a warm ambiance similar to traditional lamps Same look, size and functionality as incandescent lamps Omni-directional light distribution Suitable replacement for incandescent and halogen lamps Gives same sparkling light effect as incandescent lamp Dimensionally identical to incandescent lamps - fits all fixtures Environment friendly - no mercury and lower CO2 emissions

Product Overview

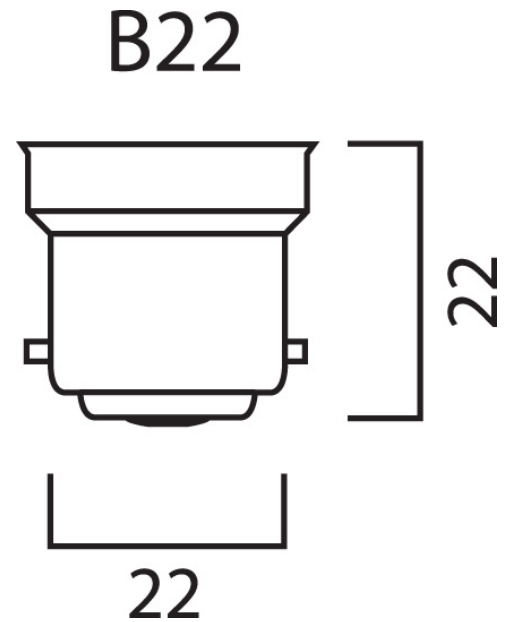
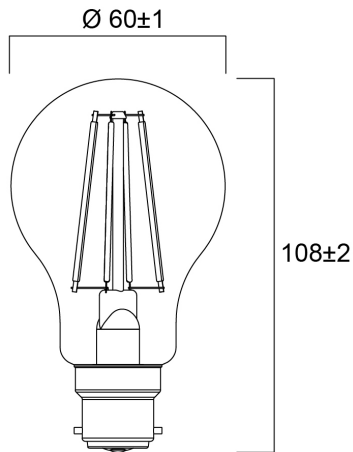
Product name	ToLEDo RT GLS V5 ST 806LM 827 B22 SL
Technology	LED
Watt (Rated) (W)	7
Cap/Base	B22
Fixture rating	Open
General application	Hospitality, Residential & Consumer
ETIM Class	EC001959
Correlated colour temperature (k)	2700
Light colour	Homelight
CRI (Ra)	80
Colour Variation Initial (SDCM)	6
Photobiological Risk Group	RG1
Wattage (W)	7
Power consumption (W)	7
Dimmable	No
Average life (Nominal) (h)	15000
Product EAN number	5410288293363
Warranty	3 years

ToLEDo RT GLS V5 ST 806LM 827 B22 SL
0029336

Useful luminous flux (#use)

806

Technical drawings



Data table

GENERAL DATA

Product name	ToLEDo RT GLS V5 ST 806LM 827 B22 SL
Technology	LED
Watt (Rated) (W)	7
Cap/Base	B22
Fixture rating	Open
General application	Hospitality, Residential & Consumer
Operating temperature range (°C)	-20°C...+40°C
Performance ambient temperature Tq (°C)	25
ETIM Class	EC001959
Warranty	3 years

OPTICAL DATA

Useful luminous flux (#use)	806
Luminous flux (Rated) (lm)	806
Correlated colour temperature (k)	2700
Light colour	Homelight
CRI (Ra)	80
Colour Variation Initial (SDCM)	6
Photobiological Risk Group	RG1
Lumen maintenance at end of nominal life (%)	70

ELECTRICAL DATA

Power consumption (W)	7
Wattage (W)	7
Equivalent watt (W)	60
Primary Supply/Product voltage - min (V)	220
Primary Supply/Product voltage - max (V)	240
Control gear required	No
No. Of switching cycles before premature failures	>50000
Dimmable	No
Inrush Current (A)	0.19
Inrush Duration (μ s)	73
Lamp Energy Label (class)	E
Nominal Frequency (Hz)	50/60Hz
Max. products per 16A C Breaker	842
Max. products per 16A B Breaker	421

LIFETIME DATA

Lifespan L70 B50	15000
Average life (Nominal) (h)	15000
Average life (Rated) (h)	15000

PHYSICAL DATA

Nominal Product Length (mm)	106
Nominal Product Diameter (mm)	60
Weight (kg)	0.03

PACKAGING

Product EAN number	5410288293363
Packaging single length / height (cm)	6.6
Packaging single width (cm)	6.6
Packaging single depth (cm)	12.0
DUN14 (inner)	15410288293360
Units per outer package	6
Packaging outer length / height (cm)	20.6
Packaging outer width (cm)	14.0
Packaging outer depth (cm)	13.0

SAFETY DATA

Optimal operating condition (°C)	-20-40
Breakage cleaning instructions	Not applicable
Special purpose lamp	No
Dry applications use only	Yes
Suitable for household illumination	Yes
Safety message	Not Suitable for totally enclosed fixtures

SYLVANIA

ToLEDo RT GLS V5 ST 806LM 827 B22 SL
0029336

Energy label



0029336



7
kWh/1000h



2019/2015



0029336



7
kWh/1000h



2019/2015