



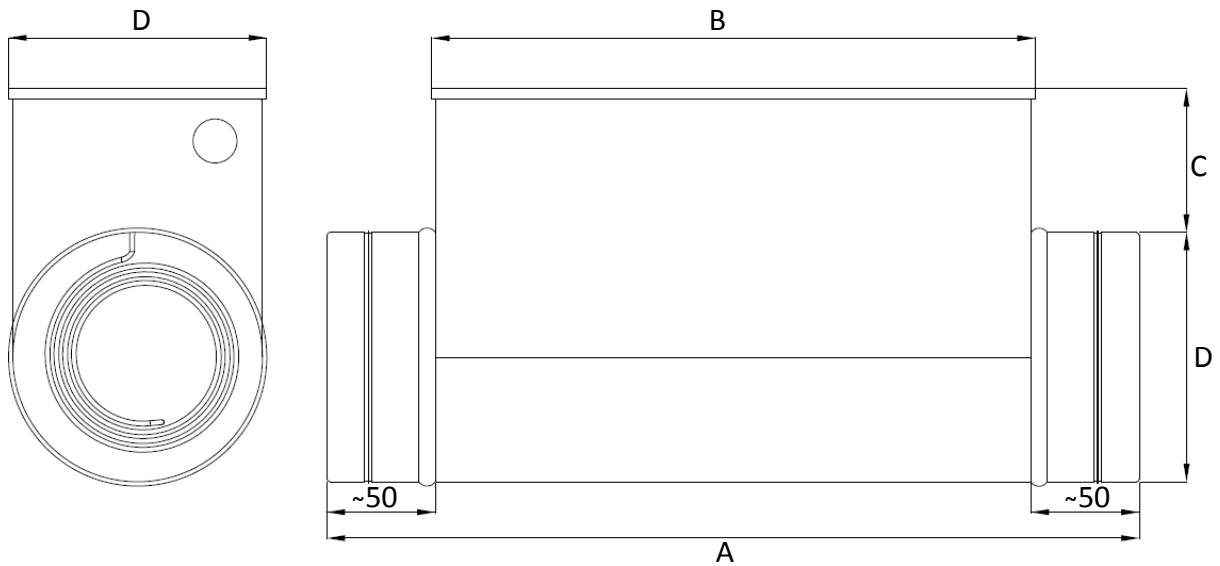
PRODUCT DESCRIPTION

- The electric duct heater can be used in ventilation systems, where there is a need for additional heating in the form of preheating or reheating.
- The heater is available with $\varnothing 125$, $\varnothing 160$, $\varnothing 200$ or $\varnothing 250$ mm duct connections. It is very flexible, since it can be set between: (300...600...900) W, for the heaters with $\varnothing 125$ mm; (300...600...900...1200...1500...1800) W, for the heaters with $\varnothing 160$, $\varnothing 200$ or $\varnothing 250$ mm.
- The casing and junction box are made from Aluzinc coated steel which is high temperature proof and with rubber seals for duct connection and comes with 2 x PG16 collars. It has a protection rate of IP44.
- The heater is equipped with a protection thermostat that automatically cuts out power supply, if the temperature exceeds 50°C. If the temperature decreases, the heater automatically re-engages.
- As an additional protection there is a built-in thermal cut-out, which disengages, if the temperature exceeds 100°C. Re-engaging must be done manually.
- The heater is equipped with the heating elements made from stainless steel AISI 304.
- **To prevent overheating of the heating elements, the minimum air velocity 1 m/s is required in the duct.**





DIMENSIONS



Heater type	A (mm)	B (mm)	C (mm)	D (mm)
EKA 125	370	276	71	125
EKA 160	370	276	71	160
EKA 200	370	276	71	200
EKA 250	370	276	71	250

MIN. AIRFLOWS (m³/h)

Heater type	Diameter	Min. airflow (m ³ /h)	Power supply (VAC/50Hz)	Power (kW)
EKA 125	125	45	1~230	0.3...0.9
EKA 160	160	75	1~230	0.3...1.8
EKA 200	200	115	1~230	0.3...1.8
EKA 250	250	180	1~230	0.3...1.8

INSTALLATION INSTRUCTIONS

- The installation must be done with an automatic circuit breaker with a min. contact gap of 3 mm per pole. Permanent installation must always be carried out by an authorized electrician in accordance with the local wiring regulations. Installation must be carried out in such way that the minimum air velocity is fulfilled.
 - Turn OFF the main power supply with automatic circuit breaker.
 - Connect the power supply cable to the heater terminals.
 - Turn ON the main power supply with automatic circuit breaker.
- The heater is preinstalled with maximum heating power. Disconnect the jumpers for less power according to the wiring diagrams. Disconnected jumpers should be safely removed.**



Genvex

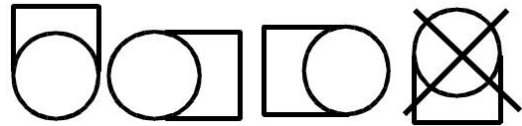
Electrical heater with integrated control

EKA 125-0.9kW-1f_STP

EKA (160/200/250)-1,8kW-1f_STP

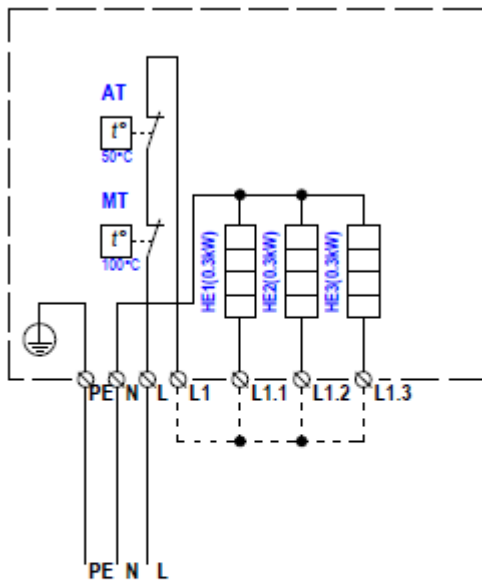
INSTALLATION POSITION

- Heater can be installed in any position (see right), except electrical connection box downward.



WIRING DIAGRAMS

EKA 125-0.9kW-1f_STP

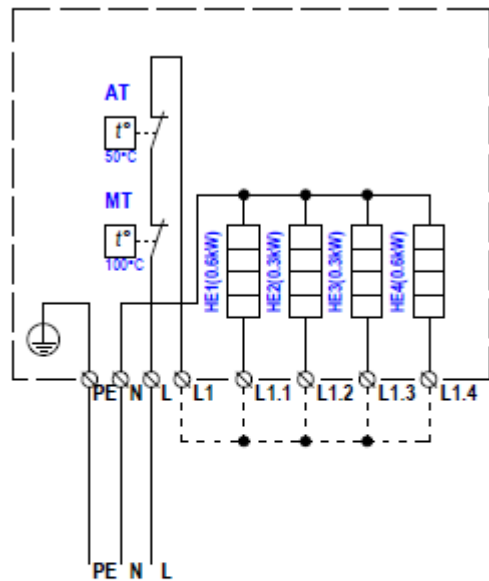


AT - AUTOMATIC THERMO PROTECTION
MT - MANUAL THERMO PROTECTION
HE1...HE3 - HEATING ELEMENTS

Table of connections

	300W	600W	900W
L1	●	●	●
L1.1		●	●
L1.2	●	●	●
L1.3			●

EKA (160/200/250)-1.8kW-1f_STP



AT - AUTOMATIC THERMO PROTECTION
MT - MANUAL THERMO PROTECTION
HE1...HE4 - HEATING ELEMENTS

Table of connections

	300W	600W	900W	1200W	1500W	1800W
L1	●	●	●	●	●	●
L1.1		●	●	●	●	●
L1.2	●		●		●	●
L1.3				●		●
L1.4					●	●

Power (W)	300	600	900	1200	1500	1800
Current (A)	1.3	2.6	3.9	5.2	6.5	7.8

IMPORTANT

- Do not open the top cover of the heater when the power supply is switched ON.
- If the electrical heater is not in use it should be kept in dry place: relative moisture < 60%, temperature > 15 °C.
- Parts of the heater may become hot during use. The heating surface must not be installed directly under a wall outlet. Never cover the heater duct during use.
- Do not place the heating surface near bath tub, shower, wash basin or swimming pool.
- In connection with stationary heating surfaces, used e.g. in a bathroom, the heating surface must be installed in such a way that the switch and other adjusting parts are not within reach from the bath tub or shower.
- The duct heater must be placed thus inflammable objects cannot be ignited.
- Distance between terminal box and isolation must be at least 100mm.
- **Heaters can be used only for clean (fresh) air heating.**



Genvex

Electrical heater with integrated control

EKA 125-0.9kW-1f_STP

EKA (160/200/250)-1,8kW-1f_STP

OPERATION AND MAINTENANCE INSTRUCTIONS

12 month after installation it is recommended to check the following:

- Terminal connections must be attached with a maximum factor of 2 Nm.
- Insulation resistance on the heating element: connect the megger to an earth screw and on of the phases. If the measured value is less than 20 Mohm each heating element should be checked. The min. Insulation resistance should be more than 50 Mohm at 1000 V.

HEATING ELEMENT SHOULD BE REPLACED BY MANUFACTURER!

NOTE

- If the heating elements does not heat, disconnect the power supply and repair the defect. Then press the reset button to activate the overheating protection which is placed on the top cover.