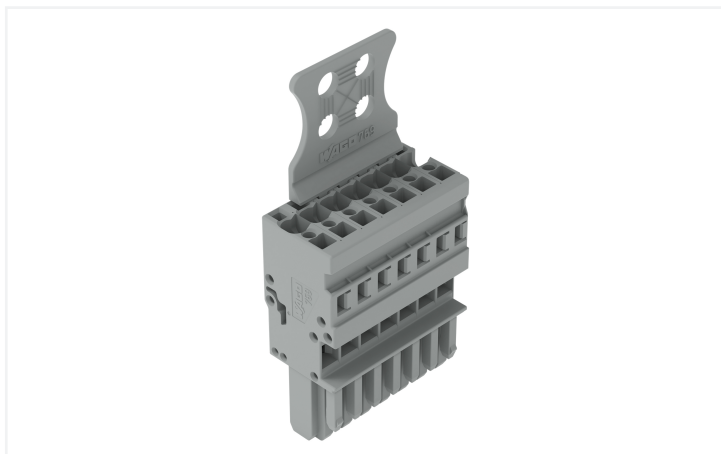


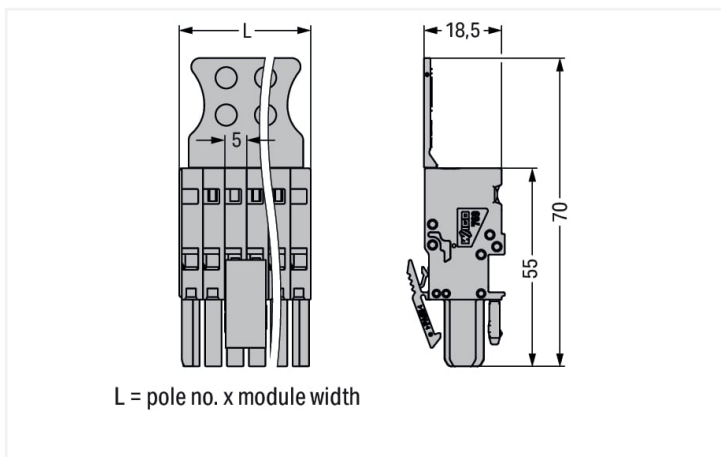
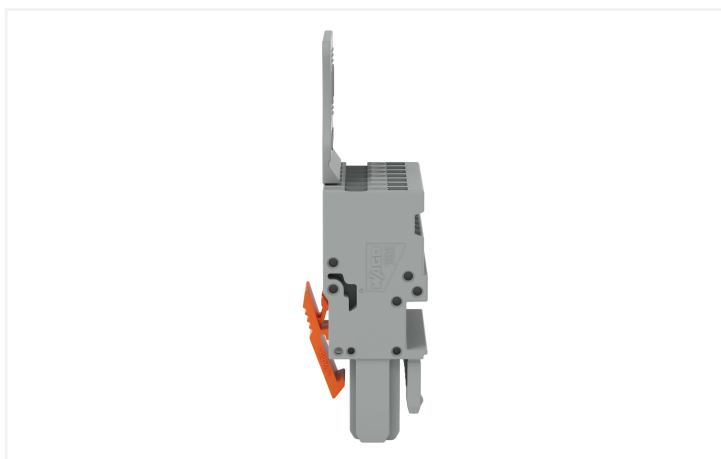
**Data Sheet | Item Number: 769-107/144-000**

1-conductor female connector; CAGE CLAMP®; 4 mm²; Pin spacing 5 mm; 7-pole;  
coding finger; Centered locking levers; Strain relief plate; 4,00 mm²; gray

<https://www.wago.com/769-107/144-000>



Color: ■ gray



## Notes

## Safety Information

According to EN 61984, pluggable connectors without current interrupting capacity must not be mated or unmated when live or under load.

## Electrical data

## Ratings per IEC/EN

Ratings per	IEC/EN 61984
Nominal voltage (III/3)	500 V
Rated impulse voltage (III / 3)	6 kV
Rated current	32 A
Legend (ratings)	(III / 3) $\Delta$ Overvoltage category III / Pollution degree 3

## Connection data

Clamping units	7
Total number of potentials	7

## Connection 1

Connection technology	CAGE CLAMP®
Actuation type	Operating tool
Connectable conductor materials	Copper
Nominal cross-section	4 mm <sup>2</sup> / 12 AWG
Solid conductor	0.08 ... 4 mm <sup>2</sup> / 28 ... 12 AWG
Fine-stranded conductor	0.08 ... 4 mm <sup>2</sup> / 28 ... 12 AWG
Strip length	8 ... 9 mm / 0.31 ... 0.35 inches
Pole number	7
Wiring direction	Front-entry wiring

## Physical data

Width	35 mm / 1.378 inches
Height	70 mm / 2.756 inches
Height from the surface	55 mm / 2.164 inches
Depth	18.5 mm / 0.728 inches
Module width	5 mm / 0.197 inches

## Mechanical data

Variable coding	Yes
Direct ground contact to DIN-rail/drilled hole/housing	No
Marking level	Side marking
Anti-rotation protection	Yes

## Plug-in connection

Contact type (pluggable connector)	Female connector/socket
Connector (connection type)	for conductor
Mismating protection	No
Locking lever	Yes
Strain relief	Strain relief plate

### Material data

Note (material data)

[Information on material specifications can be found here](#)

Color	gray
Material group	I
Insulation material (main housing)	Polyamide (PA66)
Flammability class per UL94	V0
Fire load	0.569 MJ
Halogen-free	Yes
Weight	23.5 g

### Environmental requirements

Processing temperature	-35 ... +85 °C
Continuous operating temperature	-60 ... +105 °C

### Commercial data

ETIM 8.0	EC001284
ETIM 7.0	EC001284
PU (SPU)	10 pcs
Country of origin	DE
GTIN	4066966467642
Customs tariff number	85366990990

### Environmental Product Compliance

RoHS Compliance Status	Compliant, No Exemption
------------------------	-------------------------

### Approvals / Certificates

#### General approvals



Approval	Standard	Certificate Name
CSA CSA Group	C22.2	1101144

### Downloads

#### Environmental Product Compliance

##### Compliance Search

Environmental Product  
Compliance  
769-107/144-000



## Documentation

### Additional Information

Technical Section	pdf 2246.92 KB	
-------------------	-------------------	--

## CAD/CAE-Data

### CAD data

2D/3D Models 769-107/144-000	
---------------------------------	--

## 1 Compatible Products

### 1.1 System counterpart

#### 1.1.1 Carrier terminal block for fuses and electronic modules



**Item No.: 769-181**

1-conductor/1-pin carrier terminal block; with 2 jumper positions; for DIN-rail 35 x 15 and 35 x 7.5; 4 mm<sup>2</sup>; CAGE CLAMP®; 4,00 mm<sup>2</sup>; gray



**Item No.: 769-161**

2-pin carrier terminal block; with 2 jumper positions; for DIN-rail 35 x 15 and 35 x 7.5; gray

#### 1.1.2 Component Terminal Block with Diode



**Item No.: 769-218/281-410**

1-conductor/1-pin component carrier terminal block; with 2 jumper positions; with diode 1N4007; anode, left side; for DIN-rail 35 x 15 and 35 x 7.5; 4 mm<sup>2</sup>; CAGE CLAMP®; 4,00 mm<sup>2</sup>; gray



**Item No.: 769-218/281-411**

1-conductor/1-pin component carrier terminal block; with 2 jumper positions; with diode 1N4007; anode, right side; for DIN-rail 35 x 15 and 35 x 7.5; 4 mm<sup>2</sup>; CAGE CLAMP®; 4,00 mm<sup>2</sup>; gray



**Item No.: 769-238/281-410**

1-conductor/1-pin component carrier terminal block; with diode 1N4007; anode, left side; for DIN-rail 35 x 15 and 35 x 7.5; 4 mm<sup>2</sup>; CAGE CLAMP®; 4,00 mm<sup>2</sup>; gray



**Item No.: 769-238/281-411**

1-conductor/1-pin component carrier terminal block; with diode 1N4007; anode, right side; for DIN-rail 35 x 15 and 35 x 7.5; 4 mm<sup>2</sup>; CAGE CLAMP®; 4,00 mm<sup>2</sup>; gray



**Item No.: 769-228/281-410**

2-pin component carrier block; with diode 1N4007; anode, left side; for DIN-rail 35 x 15 and 35 x 7.5; 4 mm<sup>2</sup>; gray



**Item No.: 769-228/281-411**

2-pin component carrier block; with diode 1N4007; anode, right side; for DIN-rail 35 x 15 and 35 x 7.5; 4 mm<sup>2</sup>; gray

#### 1.1.3 Component Terminal Block with LED



**Item No.: 769-239/281-413**

1-conductor/1-pin component carrier terminal block; LED (red); 24 VDC; for DIN-rail 35 x 15 and 35 x 7.5; 4 mm<sup>2</sup>; CAGE CLAMP®; 4,00 mm<sup>2</sup>; gray



**Item No.: 769-239/281-434**

1-conductor/1-pin component carrier terminal block; LED (red); 24 VDC; for DIN-rail 35 x 15 and 35 x 7.5; 4 mm<sup>2</sup>; CAGE CLAMP®; 4,00 mm<sup>2</sup>; gray



**Item No.: 769-219/281-413**

1-conductor/1-pin component carrier terminal block; with 2 jumper positions; LED (red); 24 VDC; for DIN-rail 35 x 15 and 35 x 7.5; 4 mm<sup>2</sup>; CAGE CLAMP®; 4,00 mm<sup>2</sup>; gray



**Item No.: 769-219/281-434**

1-conductor/1-pin component carrier terminal block; with 2 jumper positions; LED (red); 24 VDC; for DIN-rail 35 x 15 and 35 x 7.5; 4 mm<sup>2</sup>; CAGE CLAMP®; 4,00 mm<sup>2</sup>; gray



**Item No.: 769-229/281-413**

2-pin component carrier block; LED (red); 24 VDC; for DIN-rail 35 x 15 and 35 x 7.5; gray



**Item No.: 769-229/281-434**

2-pin component carrier block; LED (red); 24 VDC; for DIN-rail 35 x 15 and 35 x 7.5; gray



**Item No.: 769-209/281-413**

2-pin component carrier block; with 2 jumper positions; LED (red); 24 VDC; for DIN-rail 35 x 15 and 35 x 7.5; gray



**Item No.: 769-209/281-434**

2-pin component carrier block; with 2 jumper positions; LED (red); 24 VDC; for DIN-rail 35 x 15 and 35 x 7.5; gray

1.1.4 Disconnect terminal block



**Item No.: 769-232**

1-conductor/1-pin disconnect carrier terminal block; for DIN-rail 35 x 15 and 35 x 7.5; 4 mm<sup>2</sup>; CAGE CLAMP®; 4,00 mm<sup>2</sup>; gray



**Item No.: 769-212**

1-conductor/1-pin disconnect carrier terminal block; with 2 jumper positions; for DIN-rail 35 x 15 and 35 x 7.5; 4 mm<sup>2</sup>; CAGE CLAMP®; 4,00 mm<sup>2</sup>; gray



**Item No.: 769-233**

1-conductor/1-pin disconnect carrier terminal block; with shield contact; for DIN-rail 35 x 15 and 35 x 7.5; 4 mm<sup>2</sup>; CAGE CLAMP®; 4,00 mm<sup>2</sup>; gray



**Item No.: 769-213**

1-conductor/1-pin disconnect carrier terminal block; with shield contact; with 2 jumper positions; for DIN-rail 35 x 15 and 35 x 7.5; 4 mm<sup>2</sup>; CAGE CLAMP®; 4,00 mm<sup>2</sup>; gray



**Item No.: 769-222**

2-pin disconnect carrier terminal block; for DIN-rail 35 x 15 and 35 x 7.5; gray



**Item No.: 769-202**

2-pin disconnect carrier terminal block; with 2 jumper positions; for DIN-rail 35 x 15 and 35 x 7.5; gray



**Item No.: 769-223**

2-pin disconnect carrier terminal block; with shield contact; for DIN-rail 35 x 15 and 35 x 7.5; gray



**Item No.: 769-203**

2-pin disconnect carrier terminal block; with shield contact; with 2 jumper positions; for DIN-rail 35 x 15 and 35 x 7.5; gray

1.1.5 Double-deck terminal block



**Item No.: 870-127**

1-conductor/1-pin double deck receptacle terminal block; Ground conductor/through terminal block; 2.5 mm<sup>2</sup>; PE/L; for DIN-rail 35 x 15 and 35 x 7.5; CAGE CLAMP®; 2,50 mm<sup>2</sup>; gray



**Item No.: 870-117**

1-conductor/1-pin double deck receptacle terminal block; Ground conductor/through terminal block; 2.5 mm<sup>2</sup>; PE/N; for DIN-rail 35 x 15 and 35 x 7.5; CAGE CLAMP®; 2,50 mm<sup>2</sup>; gray



**Item No.: 870-101**

1-conductor/1-pin double deck receptacle terminal block; Through/through terminal block; 2.5 mm<sup>2</sup>; L/L; for DIN-rail 35 x 15 and 35 x 7.5; CAGE CLAMP®; 2,50 mm<sup>2</sup>; gray



**Item No.: 870-103**

1-conductor/1-pin double deck receptacle terminal block; Through/through terminal block; 2.5 mm<sup>2</sup>; L/N; for DIN-rail 35 x 15 and 35 x 7.5; CAGE CLAMP®; 2,50 mm<sup>2</sup>; gray



**Item No.: 870-102**

1-conductor/1-pin double deck receptacle terminal block; Through/through terminal block; 2.5 mm<sup>2</sup>; N/L; for DIN-rail 35 x 15 and 35 x 7.5; CAGE CLAMP®; 2,50 mm<sup>2</sup>; gray



**Item No.: 870-1131**

2-conductor/1-pin double-deck carrier terminal; 2-conductor/1-pin through terminal block; 2.5 mm<sup>2</sup>; L/L; for DIN-rail 35 x 15 and 35 x 7.5; CAGE CLAMP®; 2,50 mm<sup>2</sup>; gray



**Item No.: 870-108**

2-conductor/2-pin, double-deck carrier terminal block; 2-conductor/2-pin through terminal block; 2.5 mm<sup>2</sup>; L; internal commoning; conductor entry with violet marking; for DIN-rail 35 x 15 and 35 x 7.5; CAGE CLAMP®; 2,50 mm<sup>2</sup>; gray



**Item No.: 870-131**

2-conductor/2-pin, double-deck carrier terminal block; Through/through terminal block; 2.5 mm<sup>2</sup>; L/L; for DIN-rail 35 x 15 and 35 x 7.5; CAGE CLAMP®; 2,50 mm<sup>2</sup>; gray



**Item No.: 870-151**

2-Pin/2-pin double deck receptacle terminal block; Through/through terminal block; L/L; for DIN-rail 35 x 15 and 35 x 7.5; CAGE CLAMP®; gray



**Item No.: 870-1138**

4-conductor/2-pin double-deck carrier terminal block; 4-conductor/2-pin through terminal block; 2.5 mm<sup>2</sup>; L/L; internal commoning; conductor entry with violet marking; for DIN-rail 35 x 15 and 35 x 7.5; CAGE CLAMP®; 2,50 mm<sup>2</sup>; gray



**Item No.: 870-138**

4-conductor/4-pin, double-deck carrier terminal block; 4-conductor/4-pin through terminal block; 2.5 mm<sup>2</sup>; L; internal commoning; conductor entry with violet marking; for DIN-rail 35 x 15 and 35 x 7.5; CAGE CLAMP®; 2,50 mm<sup>2</sup>; gray



**Item No.: 870-158**

4-pin, double-deck carrier terminal block; 4-pin through terminal block; L; internal commoning; female plug conductor entry with violet marking; for DIN-rail 35 x 15 and 35 x 7.5; gray

1.1.6 Ground terminal block



**Item No.: 870-127**

1-conductor/1-pin double deck receptacle terminal block; Ground conductor/through terminal block; 2.5 mm<sup>2</sup>; PE/L; for DIN-rail 35 x 15 and 35 x 7.5; CAGE CLAMP®; 2,50 mm<sup>2</sup>; gray



**Item No.: 870-117**

1-conductor/1-pin double deck receptacle terminal block; Ground conductor/through terminal block; 2.5 mm<sup>2</sup>; PE/N; for DIN-rail 35 x 15 and 35 x 7.5; CAGE CLAMP®; 2,50 mm<sup>2</sup>; gray

1.1.7 Shield termination



**Item No.: 769-231**

1-conductor/1-pin carrier terminal block; with shield contact; for DIN-rail 35 x 15 and 35 x 7.5; 4 mm<sup>2</sup>; CAGE CLAMP®; 4,00 mm<sup>2</sup>; gray



**Item No.: 769-233**

1-conductor/1-pin disconnect carrier terminal block; with shield contact; for DIN-rail 35 x 15 and 35 x 7.5; 4 mm<sup>2</sup>; CAGE CLAMP®; 4,00 mm<sup>2</sup>; gray



**Item No.: 769-213**

1-conductor/1-pin disconnect carrier terminal block; with shield contact; with 2 jumper positions; for DIN-rail 35 x 15 and 35 x 7.5; 4 mm<sup>2</sup>; CAGE CLAMP®; 4,00 mm<sup>2</sup>; gray



**Item No.: 769-211**

2-conductor/2-pin carrier terminal block; with shield contact; for DIN-rail 35 x 15 and 35 x 7.5; 4 mm<sup>2</sup>; CAGE CLAMP®; 4,00 mm<sup>2</sup>; gray

1.1.7 Shield termination



**Item No.: 769-221**  
2-pin carrier terminal block; with shield contact; for DIN-rail 35 x 15 and 35 x 7.5; gray

**Item No.: 769-223**  
2-pin disconnect carrier terminal block; with shield contact; for DIN-rail 35 x 15 and 35 x 7.5; gray

**Item No.: 769-203**  
2-pin disconnect carrier terminal block; with shield contact; with 2 jumper positions; for DIN-rail 35 x 15 and 35 x 7.5; gray

**Item No.: 769-201**  
4-pin carrier terminal block; with shield contact; for DIN-rail 35 x 15 and 35 x 7.5; gray

1.1.8 Through terminal block



**Item No.: 769-176**  
1-conductor/1-pin carrier terminal block; for DIN-rail 35 x 15 and 35 x 7.5; 4 mm<sup>2</sup>; CAGE CLAMP®; 4,00 mm<sup>2</sup>; gray

**Item No.: 769-231**  
1-conductor/1-pin carrier terminal block; with shield contact; for DIN-rail 35 x 15 and 35 x 7.5; 4 mm<sup>2</sup>; CAGE CLAMP®; 4,00 mm<sup>2</sup>; gray

**Item No.: 769-214**  
1-conductor/1-pin disconnect carrier terminal block; with 3 jumper positions; for DIN-rail 35 x 15 and 35 x 7.5; 4 mm<sup>2</sup>; 4,00 mm<sup>2</sup>; gray

**Item No.: 870-127**  
1-conductor/1-pin double deck receptacle terminal block; Ground conductor/through terminal block; 2.5 mm<sup>2</sup>; PE/L; for DIN-rail 35 x 15 and 35 x 7.5; CAGE CLAMP®; 2,50 mm<sup>2</sup>; gray



**Item No.: 870-117**  
1-conductor/1-pin double deck receptacle terminal block; Ground conductor/through terminal block; 2.5 mm<sup>2</sup>; PE/N; for DIN-rail 35 x 15 and 35 x 7.5; CAGE CLAMP®; 2,50 mm<sup>2</sup>; gray

**Item No.: 870-101**  
1-conductor/1-pin double deck receptacle terminal block; Through/through terminal block; 2.5 mm<sup>2</sup>; L/L; for DIN-rail 35 x 15 and 35 x 7.5; CAGE CLAMP®; 2,50 mm<sup>2</sup>; gray

**Item No.: 870-103**  
1-conductor/1-pin double deck receptacle terminal block; Through/through terminal block; 2.5 mm<sup>2</sup>; L/N; for DIN-rail 35 x 15 and 35 x 7.5; CAGE CLAMP®; 2,50 mm<sup>2</sup>; gray

**Item No.: 870-102**  
1-conductor/1-pin double deck receptacle terminal block; Through/through terminal block; 2.5 mm<sup>2</sup>; N/L; for DIN-rail 35 x 15 and 35 x 7.5; CAGE CLAMP®; 2,50 mm<sup>2</sup>; gray



**Item No.: 769-251**  
2-conductor/1-pin carrier terminal block; 4 mm<sup>2</sup>; for DIN-rail 35 x 15 and 35 x 7.5; CAGE CLAMP®; 4,00 mm<sup>2</sup>; gray

**Item No.: 769-171**  
2-conductor/2-pin carrier terminal block; for DIN-rail 35 x 15 and 35 x 7.5; 4 mm<sup>2</sup>; CAGE CLAMP®; 4,00 mm<sup>2</sup>; gray

**Item No.: 769-211**  
2-conductor/2-pin carrier terminal block; with shield contact; for DIN-rail 35 x 15 and 35 x 7.5; 4 mm<sup>2</sup>; CAGE CLAMP®; 4,00 mm<sup>2</sup>; gray

**Item No.: 870-1131**  
2-conductor/2-pin double-deck carrier terminal; 2-conductor/1-pin through terminal block; 2.5 mm<sup>2</sup>; L/L; for DIN-rail 35 x 15 and 35 x 7.5; CAGE CLAMP®; 2,50 mm<sup>2</sup>; gray



**Item No.: 870-108**  
2-conductor/2-pin, double-deck carrier terminal block; 2-conductor/2-pin through terminal block; 2.5 mm<sup>2</sup>; L; internal commoning; conductor entry with violet marking; for DIN-rail 35 x 15 and 35 x 7.5; CAGE CLAMP®; 2,50 mm<sup>2</sup>; gray

**Item No.: 870-131**  
2-conductor/2-pin, double-deck carrier terminal block; Through/through terminal block; 2.5 mm<sup>2</sup>; L/L; for DIN-rail 35 x 15 and 35 x 7.5; CAGE CLAMP®; 2,50 mm<sup>2</sup>; gray

**Item No.: 769-156**  
2-pin carrier terminal block; for DIN-rail 35 x 15 and 35 x 7.5; gray

**Item No.: 769-221**  
2-pin carrier terminal block; with shield contact; for DIN-rail 35 x 15 and 35 x 7.5; gray



**Item No.: 870-151**  
2-Pin/2-pin double deck receptacle terminal block; Through/through terminal block; L/L; for DIN-rail 35 x 15 and 35 x 7.5; CAGE CLAMP®; gray

**Item No.: 870-1138**  
4-conductor/2-pin double-deck carrier terminal block; 4-conductor/2-pin through terminal block; 2.5 mm<sup>2</sup>; L/L; internal commoning; conductor entry with violet marking; for DIN-rail 35 x 15 and 35 x 7.5; CAGE CLAMP®; 2,50 mm<sup>2</sup>; gray

**Item No.: 870-138**  
4-conductor/4-pin, double-deck carrier terminal block; 4-conductor/4-pin through terminal block; 2.5 mm<sup>2</sup>; L; internal commoning; conductor entry with violet marking; for DIN-rail 35 x 15 and 35 x 7.5; CAGE CLAMP®; 2,50 mm<sup>2</sup>; gray

**Item No.: 769-151**  
4-pin carrier terminal block; for DIN-rail 35 x 15 and 35 x 7.5; gray



**Item No.: 769-201**  
4-pin carrier terminal block; with shield contact; for DIN-rail 35 x 15 and 35 x 7.5; gray

**Item No.: 870-158**  
4-pin, double-deck carrier terminal block; 4-pin through terminal block; L; internal commoning; female plug conductor entry with violet marking; for DIN-rail 35 x 15 and 35 x 7.5; gray

## 1.2 Optional Accessories

### 1.2.1 Cover

#### 1.2.1.1 Cover



**Item No.: 769-436**

Jumper cover; for 1-conductor female plugs; for 5 poles; gray

### 1.2.2 Ferrule

#### 1.2.2.1 Ferrule



**Item No.: 216-301**

Ferrule; Sleeve for 0.25 mm<sup>2</sup> / AWG 24; insulated; electro-tin plated; yellow



**Item No.: 216-302**

Ferrule; Sleeve for 0.34 mm<sup>2</sup> / 22 AWG; insulated; electro-tin plated; light turquoise



**Item No.: 216-201**

Ferrule; Sleeve for 0.5 mm<sup>2</sup> / 20 AWG; insulated; electro-tin plated; white



**Item No.: 216-101**

Ferrule; Sleeve for 0.5 mm<sup>2</sup> / AWG 22; un-insulated; electro-tin plated; silver-colored



**Item No.: 216-202**

Ferrule; Sleeve for 0.75 mm<sup>2</sup> / 18 AWG; insulated; electro-tin plated; gray



**Item No.: 216-102**

Ferrule; Sleeve for 0.75 mm<sup>2</sup> / AWG 20; un-insulated; electro-tin plated; silver-colored



**Item No.: 216-203**

Ferrule; Sleeve for 1 mm<sup>2</sup> / AWG 18; insulated; electro-tin plated; red



**Item No.: 216-103**

Ferrule; Sleeve for 1 mm<sup>2</sup> / AWG 18; un-insulated; electro-tin plated



**Item No.: 216-204**

Ferrule; Sleeve for 1.5 mm<sup>2</sup> / AWG 16; insulated; electro-tin plated; black



**Item No.: 216-104**

Ferrule; Sleeve for 1.5 mm<sup>2</sup> / AWG 16; un-insulated; electro-tin plated; silver-colored



**Item No.: 216-206**

Ferrule; Sleeve for 2.5 mm<sup>2</sup> / AWG 14; insulated; electro-tin plated; blue

### 1.2.3 Insulation stop

#### 1.2.3.1 Insulation stop



**Item No.: 769-470**

Insulation stop; 0.08 - 0.2 mm<sup>2</sup> "s" (0.14 mm<sup>2</sup> "f-st"); 5 pieces/strip; white



**Item No.: 769-471**

Insulation stop; 0.25 - 0.5 mm<sup>2</sup>; 5 pieces/strip; light gray



**Item No.: 769-472**

Insulation stop; 0.75 - 1 mm<sup>2</sup>; 5 pieces/strip; dark gray

### 1.2.4 Jumper

#### 1.2.4.1 Jumper



**Item No.: 769-402**

Jumper; insulated; gray

## 1.2.5 Locking system

### 1.2.5.1 Locking system



**Item No.: 769-428**

Locking lever; for female connectors; 1 part; Pin spacing 5 mm; 1-pole; gray



**Item No.: 769-429**

Locking lever; for female connectors; 1 part; Pin spacing 5 mm; 1-pole; orange

## 1.2.6 Marking

### 1.2.6.1 Label



**Item No.: 210-805**

Labels; for Smart Printer; permanent adhesive; 6 x 15 mm; white



**Item No.: 210-805/000-002**

Labels; for Smart Printer; permanent adhesive; 6 x 15 mm; yellow

### 1.2.6.2 Marker



**Item No.: 2009-145**

Mini-WSB Inline; for Smart Printer; 1700 pieces on roll; stretchable 5 - 5.2 mm; plain; snap-on type; white



**Item No.: 248-501**

Mini-WSB marking card; as card; not stretchable; plain; snap-on type; white

### 1.2.6.3 Marking strip



**Item No.: 210-831**

Marking strips; on reel; 2.3 mm wide; plain; Self-adhesive; white



**Item No.: 210-832**

Marking strips; on reel; 3 mm wide; plain; Self-adhesive; white



**Item No.: 210-834**

Marking strips; on reel; 5 mm wide; plain; Self-adhesive; white

## 1.2.7 Protective warning marker

### 1.2.7.1 Cover



**Item No.: 280-415**

Protective warning marker; for 5 terminal blocks; with high-voltage symbol, black; yellow

## 1.2.8 Strain relief

### 1.2.8.1 Strain relief



**Item No.: 769-410**

Strain relief plate; for female and male connectors; 1 part; Pin spacing 5 mm; 1-pole; gray



## 1.2.9 Test and measurement

### 1.2.9.1 Testing accessories



Item No.: 210-136

Test plug; 2 mm Ø; with 500 mm cable; red

## 1.2.10 Tool

### 1.2.10.1 Operating tool



Item No.: 210-490

Operating tool



Item No.: 769-434

Operating tool; made of insulating material; 1-way; loose; white