

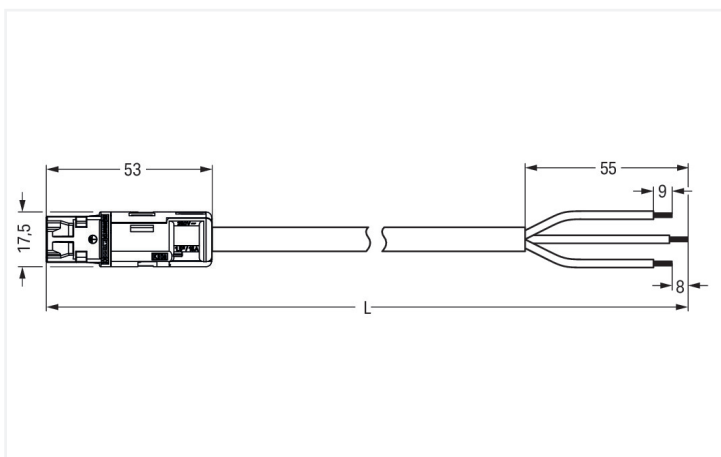
Data Sheet | Item Number: 774-9293/217-301

pre-assembled connecting cable; B2ca; Plug/open-ended; 3-pole; Cod. A;
H05Z1Z1-F 3G 2.5 mm²; 3 m; 2,50 mm²; black

<https://www.wago.com/774-9293/217-301>



Color: ■ black



Dimensions in mm

Cable assembly *WINSTA*® RD rated current 20 A

Use effective pluggable connections instead of laborious screw connections: With the *WINSTA*® RD cable assembly rated current 20 A. On PCBs, in control cabinets or for connecting lights – pluggable installation connectors from WAGO allow you to make connections according to many different requirements in seconds. For greater protection in electrical installations, the pluggable installation connector is provided with mechanical protection

against mismatching. The pluggable installation connector is protected against ingress by solid objects in accordance with protection type IP20 (When mated: IP2xC (These compact connectors are not designed for use in open, easily accessible areas!)). This pluggable installation connector is designed for a load of up to 20 A. Thus, it can also be used for high power loads. *WINSTA® RD*: Solutions from this product line are suitable for drill holes and conduits with diameters up to 20 mm. Scrupulous compliance with fire protection regulations is an crucial issue for building installation. Especially in sensitive areas, the fire class must meet the high standards of requirements. This product complies with the requirements of fire class B2. The cable assembly is free of halogen. This eliminates the addition of environmental pollutants during production. It also increases the fire class, since halogen-free materials do not easily ignite.

Fast, secure pluggable connections – cable assemblies from WAGO

The cable assembly is provided with a plug and a free end. The *WINSTA®* Pluggable Connection System is ideally tailored to the strict requirements of building installation. It makes electrical installation pluggable, and thus more efficient, even more reliable, and error-free. Use of this pre-assembled system reduces assembly times and installation errors at the construction site. Choose quality and durability – with protection against mismatching from WAGO makes the electrical installation of electrical components significantly easier.

- pluggable installation connectors with protection against mismatching
- products perfectly tailored to your requirements guarantee safe use
- with A coding for use in many general mains applications
- custom-engineered solutions
- quick replacement of defective units during ongoing operation

Notes	
Note	Cables with a different fire class can be found in the eShop.

Electrical data				
Ratings per	IEC/EN 60664-1			General information
Overvoltage category	III	III	II	Note on contact resistance approx. 1 mΩ of contact resistance approx. 0.25 mΩ contact transition plug/socket
Pollution degree	3	2	2	
Nominal voltage	250 V	-	-	
Rated impulse withstand voltage	4 kV	-	-	
Rated current	20 A	-	-	

Connection Data		Connection 1	
Total number of potentials	3	Strip length	9 mm / 0.35 inches
PE function	Preceding PE contact	Pole number	3
Conductor preparation	ultrasonically tip-bonded	Wire cross-section	2.5 mm ²
		Strip length (outer insulation)	55 mm
		Connection type	Plug - free end

Physical data	
Width	17.5 mm / 0.689 inches
Height	17.5 mm / 0.689 inches
Total length	3 m

Mechanical data

Use	General mains applications
Coding	A
Variable coding	No
Marking	L ⊕ N
Mating force of a plug-in connection	Approx. 30 ... 70 N (depending on pole number)
Retention force of a plug-in connection	when locked: > 80N
Unmating force of a plug-in connection	Unlocked: approx. 30 ... 70 N (depending on pole number)
Number of mating cycles	200, without resistive load
Connection type	Plug - free end
Type of pre-assembled cable	Connecting cable
Cable type	H05Z1Z1-F 3G2.5
Protection type	IP20; When mated: IP2xC (These compact connectors are not designed for use in open, easily accessible areas!)

Plug-in connection

Mismating protection	Yes
Note on mismating protection	All WINSTA® components are 100% protected against mismating when: a.) plugging different numbers of poles b.) plugging while incorrectly rotated c.) plugging while laterally staggered
Locking of plug-in connection	Locking lever

Material data

Note (material data)	Information on material specifications can be found here
Color	black
Insulation material (main housing)	Polyamide (PA66)
Flammability class per UL94	V0
Fire class per EN 50575	B2 _{ca}
Contact material	Copper or copper alloy; surface-treated
Contact Plating	Tin
Fire load	0.158 MJ
Connector color	black
Strain relief color	black
Sheathed cable color	black
Printing color of sheathed cable	white
Halogen-free	Yes
Silicon-free	Yes
Sheath material	Halogen-free
Rubber cable	No
Weight	475.7 g
Copper weight of the raw cable	0.072 kg/m

Environmental requirements

Processing temperature	-5 ... +40 °C
Continuous operating temperature	-35 ... +85 °C
Note on continuous operating temperature	Cable for temperatures ≤ 70 °C (including halogen-free) Insulating parts for temperatures ≤ 105 °C

Commercial data

PU (SPU)	1 pcs
Packaging type	unpacked
Country of origin	DE
GTIN	4055143749244
Customs tariff number	85444290900

Product Classification

UNSPSC	26121629
ETIM 9.0	EC002587
ETIM 10.0	EC002587
ECCN	NO US CLASSIFICATION

Environmental Product Compliance

RoHS Compliance Status	Compliant, No Exemption
------------------------	-------------------------

Approvals / Certificates

General approvals



Approval	Standard	Certificate Name
CCA DEKRA Certification B.V.	EN 61535	NTR NL-7969
CCA DEKRA Certification B.V.	EN 61984	NTR NL-7848
KEMA/KEUR DEKRA Certification B.V.	EN 61535	71-123229
KEMA/KEUR DEKRA Certification B.V.	EN 61984	71-114944

Declarations of conformity and manufacturer's declarations

Approval	Standard	Certificate Name
EU-Declaration of Confor- mity WAGO GmbH & Co. KG	-	-
UK-Declaration of Confor- mity WAGO GmbH & Co. KG	-	-

Downloads

Environmental Product Compliance

Compliance Search

Environmental Product
Compliance
774-9293/217-301

