

BEACON LED MUSE II ELONGATION LENS

Item No: 2059760

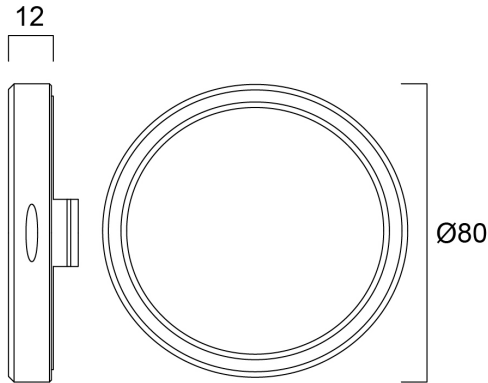
Concord



Snap fit Elongation Lens accessory, Lens for creating an elongated beam, ideal for lighting signage and banners in museum, gallery and high-end retail environments, suitable for use with Beacon Muse II and Beacon Muse Tune, dimension: Ø80mm.

Technical Assets

Dimensions (mm)



Photometrics

General data

Product name	BEACON LED MUSE II ELONGATION LENS
Technology	Accessory
Accessory type	Optical
General application	Museums & Galleries, Retail
ETIM Class	EC002558
E-number FI	4274085
Warranty	5 years

Electrical data

Electrical protection	Class 0
-----------------------	---------

Physical data

IP rating	IP00
Weight (kg)	0.03

BEACON LED MUSE II ELONGATION LENS

Item No: 2059760

Concord

Packaging

Product EAN number	5025768597604
Packaging single length / height (cm)	17.5
Packaging single width (cm)	15.0
Packaging single depth (cm)	17.5
DUN14 (inner)	05025768597604
Units per outer package	1
Packaging outer length / height (cm)	17.5
Packaging outer width (cm)	15.0
Packaging outer depth (cm)	17.5