

28 565 977 Product version up to 12/5/2019



- rain shower Ø 200 mm
- PURE RAIN, max. flow rate 14 l/min (at 3 bar)
- Function from: 8 l/min
- with anti-scale system

**Technical data:**

- distance between ceiling and lower edge of the shower 185mm
- rosette Ø 55 mm
- 1/2" connection

**Notes:**

	Brushed Dark Platinum	28 565 977-99
	Chrome	28 565 977-00
	Brushed Platinum	28 565 977-06
	Platinum	28 565 977-08
	Durabrand (23kt Gold)	28 565 977-09
	Brushed Durabrand (23kt Gold)	28 565 977-28
	Brushed Gold (PVD)	28 565 977-37
	Brushed Dark Brass (PVD)	28 565 977-39
	Brushed Bronze (PVD)	28 565 977-42

**Recommended miscellaneous**

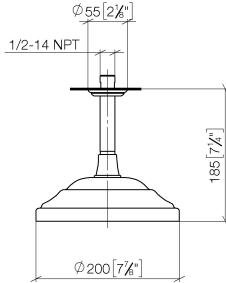
**Concealed wall elbow - 35 085 970 90**



- min. recess depth 90 mm
- max. recess depth 163 mm

28 565 977 Product version up to 12/5/2019

mm [inches]



**Flow rate chart**



**Codes & Standards**

DIN 4109

EN 1112

ISO 3822

Scottish Water  
Byelaws

UK Water Supply  
Regulations

Ü-Zeichen



## MADISON Rainshower with ceiling fixing 200 mm - Brushed Dark Platinum

MADISON

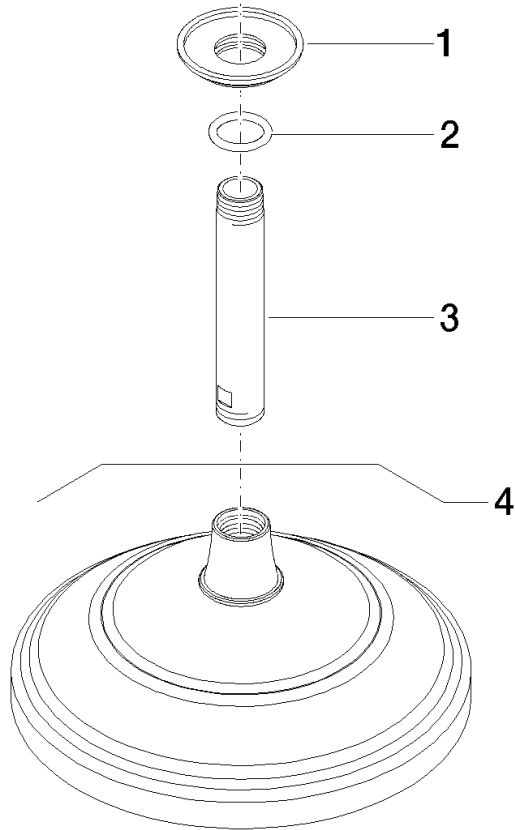
28 565 977 Product version up to 12/5/2019

### Certificates and sustainability

LGA\_38

DVGW\_DW-  
6517DN0

WRAS\_250102



**Spare parts list**

No.	Item Number	Name	Quantity used	Delivery time
4	28 535 977-99	Rainshower - Brushed Dark Platinum	1.00	-
Spare part can no longer be ordered, please order the replacement item				
3	09 11 03 018-99	Connection 1/2" Ø 21 x 120 mm - Brushed Dark Platinum	1.00	-
Spare part can no longer be ordered, please order the replacement item				
1	09 27 35 003-99	Rosette Ø 55 x Ø 27 x 10 mm - Brushed Dark Platinum	1.00	40
2	90 14 10 026 00 90	O-Ring 20,5 x 3,5 mm -	2.00	14