

27 805 625 Product version from 6/30/2015 to 6/3/2020



- COMPACT RAIN, max. flow rate 15 l/min (at 3 bar)
- spray head Ø 100mm
- three settings: normal flow, soft flow, massage flow
- with anti-scale system
- metal shower hose 1250mm with integrated anti-twist protection
- shower holder rosette Ø 55mm

Intrinsic protection against back flow.

Recommended miscellaneous



- Concealed wall elbow -**
- min. recess depth 90 mm
 - max. recess depth 163 mm

35 085 970 90

Recommended miscellaneous

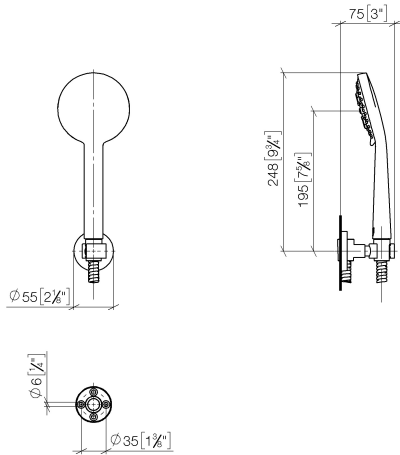


Wall elbow - Matte Black

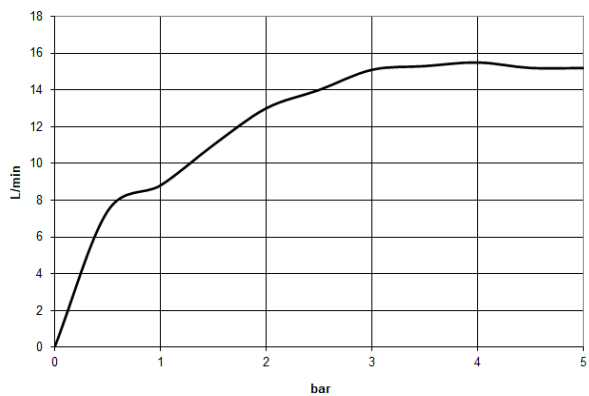
28 450 625-33

27 805 625 Product version from 6/30/2015 to 6/3/2020

mm [inches]



Flow rate chart



Codes & Standards

DIN 4109

ISO 3822

Scottish Water
Byelaws

UK Water Supply
Regulations

Ü-Zeichen



Hand shower set - Matte Black

SERIES SPECIFIC

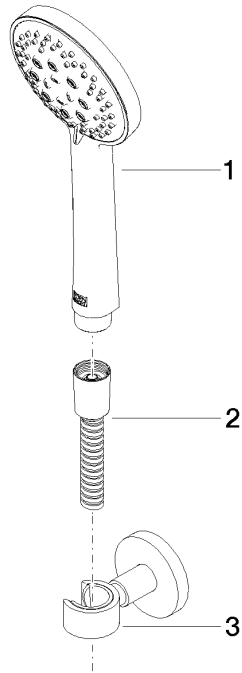
27 805 625 Product version from 6/30/2015 to 6/3/2020

Certificates and sustainability

LGA_29

LGA_29

WRAS_2304



Spare parts list

No.	Item Number	Name	Quantity used	Delivery time
2	90 30 02 072 00-33	Metal shower hose 1/2" x 3/8" x 1250 mm - Matte Black	1.00	40
3	28 050 625-33	Wall bracket - Matte Black	1.00	20
1	90 12 11 173 00-33	Hand shower 15 l/min. - Matte Black	1.00	40