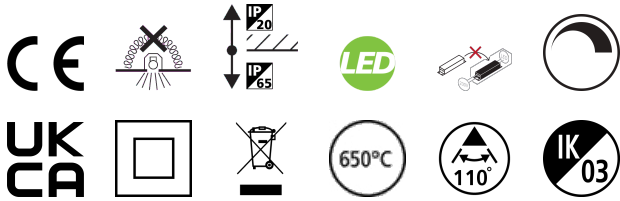


SYLSPOT LV 630LM 3-CCT DIM IP65 WHT

Item No: 0005257

SYLVANIA

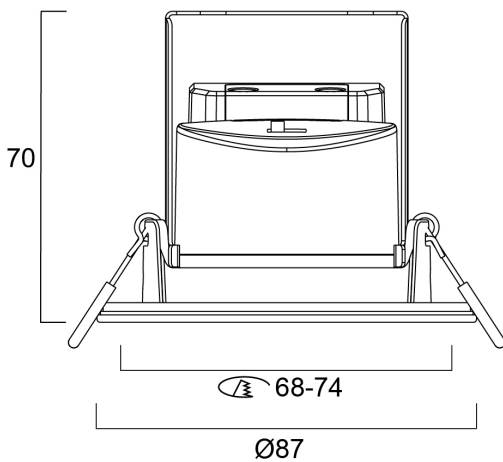
YourHome



Integrated LED recessed spotlight, RAL9016 colour, 630lm, 7.0W, phase dimmable, 2700K/3000K/4000K, 110° degree beam angle, ABS plastic white body, low profile 47mm recessed depth, IP65 from the front, IK03, loop-in/loop-out terminals for fast wiring, 87mm bezel diameter, 68-74mm cutout, clear lens. Can be covered with insulation. Fixture can be covered with insulation. Additional silver bezel included in the packaging.

Technical Assets

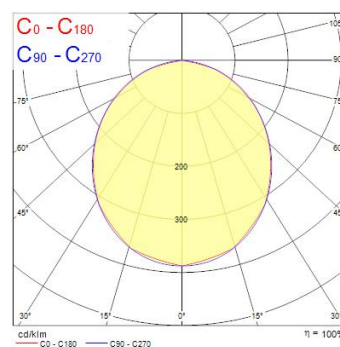
Dimensions (mm)



Photometrics

0.5	1.29	E10° E100°	1058 121
1.0	2.59	E10° E100°	264 30
1.5	3.88	E10° E100°	117 13
2.0	5.18	E10° E100°	66 8
2.5	6.47	E10° E100°	42 6
3.0	7.76	E10° E100°	29 4

Distance [m] Cone diameter [m] Illuminance [lx]
 — C0 - C180 (Half beam angle: 104.6°)



SYLSPOT LV 630LM 3-CCT DIM IP65 WHT

Item No: 0005257

SYLVANIA

General data

Product name	SYLSPOT LV 630LM 3-CCT DIM IP65 WHT
Technology	LED
Cap/Base	N/A
Housing	ABS Plastic
Mount	Ceiling recessed mounting
General application	Hospitality, Residential & Consumer
Operating temperature range (°C)	-10°C...+40°C
Performance ambient temperature Tq (°C)	25
ETIM Class	EC001744
Warranty	3 years

Optical data

Useful luminous flux (Φuse)	2441
Fixture luminous flux (lm)	630
Luminaire efficacy (lm/W)	90
Correlated colour temperature (k)	4000
Light colour	Cool White
CRI (Ra)	80
Colour Variation Initial (SDCM)	SDCM6
Beam Angle (°)	110
Distribution type	Symmetric
Photobiological Risk Group	RG0

Electrical data

Total power consumption (W)	7
Primary Supply/Product voltage - min (V)	220
Primary Supply/Product voltage - max (V)	240
Lamp power factor	0.85
THD (at 230 V, 50 Hz, full load, at 100% dimming level) ≤ xx.x %	50
Electrical protection	Class II
Control gear required	No
Control gear type	LED driver constant current
Dimmable	Yes
Dimming method	Mains: leading / trailing edge
Min. drive current (mA)	30
Max. drive current (mA)	300
Drive current - Range (mA)	30mA / 300mA
Inrush Current (A)	4
Inrush Duration (µs)	40
Energy Efficiency Class (A->G) of contained light source	D
Nominal Frequency (Hz)	50/60Hz
Max. products per 10A C Breaker	103
Max. products per 13A C Breaker	130
Max. products per 16A C Breaker	163
Max. products per 10A B Breaker	103
Max. products per 13A B Breaker	130
Max. products per 16A B Breaker	163
Connectable conductor cross section - Min (mm²)	0.75
Connectable conductor cross section - Max (mm²)	1.5

Lifetime data

Lifespan L70 B50	86000
Lifespan L80 B50	52000
Lifespan L90 B50	23000

SYLSPOT LV 630LM 3-CCT DIM IP65 WHT

Item No: 0005257



Physical data

Housing colour	White
IP rating	IP65/20
IK rating	IK03
Diffuser finish	Transparent
Diffuser material	PC Polycarbonate
Reflector finish	Not Applicable
Nominal Product Height (mm)	47
Nominal Product Diameter (mm)	87
Weight (kg)	0.18

Packaging

Product EAN number	5410288052571
Packaging single length / height (cm)	13.1
Packaging single width (cm)	8.0
Packaging single depth (cm)	14.4
DUN14 (inner)	15410288052578
Units per inner package	4
Packaging inner length / height (cm)	33.9
Packaging inner width (cm)	15.5
Packaging inner depth (cm)	14.0
DUN14 (outer)	25410288052575
Units per outer package	24
Packaging outer length / height (cm)	34.5
Packaging outer width (cm)	33.1
Packaging outer depth (cm)	45.3

Safety data

Glow Wire Test (°C)	650
Optimal operating condition (°C)	-10-40