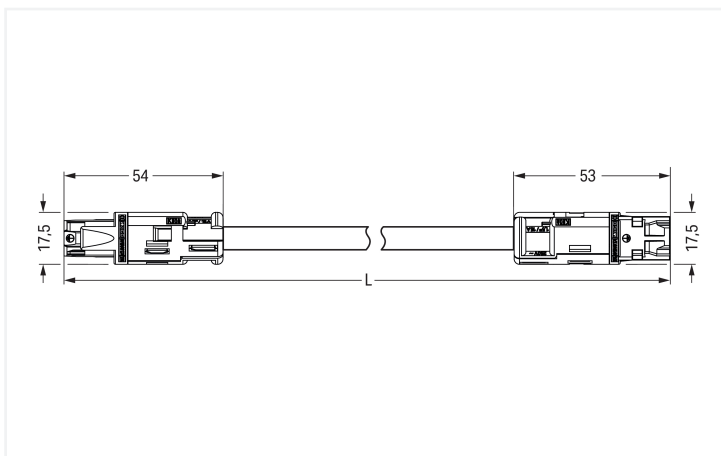


Data Sheet | Item Number: 774-9293/017-101

pre-assembled interconnecting cable; B2ca; Socket/plug; 3-pole; Cod. A; H05Z1Z1-F 3G 2.5 mm²; 1 m; 2,50 mm²

<https://www.wago.com/774-9293/017-101>



Dimensions in mm

Cable assembly *WINSTA*® RD rated current 20 A

Use effective pluggable connections instead of laborious screw connections: With the *WINSTA*® RD cable assembly with protection against mismatching. The pluggable installation connectors with spring pressure connection technology work completely without screw connections. They allow flexible, error-free installation in a large number of possible uses. The mechanical coding and color coding of the pluggable installation connector ensure error-free installation of the individual components – including protection against mismatching. The pluggable installation connector is protected in accordance with protection type IP20 (When mated: IP2xC (These compact connectors are not designed for use in open, easily accessible areas!)). This means that

users' fingers will never come into contact with energised contact elements. This pluggable installation connector is used for electrical currents up to 20 A. Thus the product is also suitable for high power loads. With WINSTA® RD, we have invented a product line that fits perfectly into conduits or bore-holes thanks to its design. Anyone who needs to take into account technical safety requirements for fire protection reasons for electrical installation should be able to rely on the quality of the components. Our product meets the important safety standards of fire class B2. The cable assembly is halogen-free. This eliminates the addition of environmental pollutants during production. It also achieves a higher fire class, since halogen-free materials are flame-resistant.

Fast, secure pluggable connections – cable assemblies from WAGO

The cable assembly is equipped with a socket and a plug. WINSTA® is the pluggable connection system that is perfectly tailored to the strict requirements of electrical installation. It allows fast, secure and, above all, error-free installation of components and cables. Now you can also reduce installation expenses without compromising quality and safety: with protection against mismatching eliminates the need for servicing and prevents unnecessary downtime.

- effective protection against mismatching
- products perfectly tailored to your requirements guarantee safe use
- with A coding for use in a large number of general mains applications
- custom-engineered solutions
- fast, secure installation

Notes	
Note	Cables with a different fire class can be found in the eShop.

Electrical data

Ratings per	IEC/EN 60664-1			General information	
Overvoltage category	III	III	II	Note on contact resistance	approx. 1 mΩ of contact resistance approx. 0.25 mΩ contact transition plug/ socket
Pollution degree	3	2	2		
Nominal voltage	250 V	-	-		
Rated impulse withstand voltage	4 kV	-	-		
Rated current	20 A	-	-		

Connection Data

Total number of potentials	3	Connection 1	
PE function	Preceding PE contact	Pole number	3
		Wire cross-section	2.5 mm ²
		Connection type	Socket - Plug

Physical data

Width	17.5 mm / 0.689 inches
Height	17.5 mm / 0.689 inches
Total length	1 m

Mechanical data

Use	General mains applications
Coding	A
Variable coding	No
Marking	L ⊕ N
Mating force of a plug-in connection	Approx. 30 ... 70 N (depending on pole number)
Retention force of a plug-in connection	when locked: > 80N
Unmating force of a plug-in connection	Unlocked: approx. 30 ... 70 N (depending on pole number)
Number of mating cycles	200, without resistive load
Connection type	Socket - Plug
Type of pre-assembled cable	Interconnecting cable

Mechanical data

Cable type	H05Z1Z1-F 3G2.5
Protection type	IP20; When mated: IP2xC (These compact connectors are not designed for use in open, easily accessible areas!)

Plug-in connection

Mismating protection	Yes
Note on mismating protection	All WINSTA® components are 100% protected against mismating when: a.) plugging different numbers of poles b.) plugging while incorrectly rotated c.) plugging while laterally staggered
Locking of plug-in connection	Locking lever

Material data

Note (material data)	Information on material specifications can be found here
Insulation material (main housing)	Polyamide (PA66)
Flammability class per UL94	V0
Fire class per EN 50575	B2 _{ca}
Contact material	Copper or copper alloy; surface-treated
Contact Plating	Tin
Fire load	0.32 MJ
Connector color	black
Strain relief color	black
Sheathed cable color	black
Printing color of sheathed cable	white
Halogen-free	Yes
Silicon-free	Yes
Sheath material	Halogen-free
Rubber cable	No
Weight	164.4 g
Copper weight of the raw cable	0.072 kg/m

Environmental requirements

Processing temperature	-5 ... +40 °C
Continuous operating temperature	-35 ... +85 °C
Note on continuous operating temperature	Cable for temperatures ≤ 70 °C (including halogen-free) Insulating parts for temperatures ≤ 105 °C




Commercial data

PU (SPU)	1 pcs
Packaging type	unpacked
Country of origin	DE
GTIN	4055143749169
Customs tariff number	85444290900

Product Classification	
UNSPSC	26121629
ETIM 9.0	EC002587
ETIM 10.0	EC002587
ECCN	NO US CLASSIFICATION

Environmental Product Compliance	
RoHS Compliance Status	Compliant, No Exemption

Approvals / Certificates

General approvals	Declarations of conformity and manufacturer's declarations															
  	<table border="1"> <thead> <tr> <th>Approval</th> <th>Standard</th> <th>Certificate Name</th> </tr> </thead> <tbody> <tr> <td>EU-Declaration of Conformity WAGO GmbH & Co. KG</td> <td>-</td> <td>-</td> </tr> <tr> <td>UK-Declaration of Conformity WAGO GmbH & Co. KG</td> <td>-</td> <td>-</td> </tr> </tbody> </table>	Approval	Standard	Certificate Name	EU-Declaration of Conformity WAGO GmbH & Co. KG	-	-	UK-Declaration of Conformity WAGO GmbH & Co. KG	-	-						
Approval	Standard	Certificate Name														
EU-Declaration of Conformity WAGO GmbH & Co. KG	-	-														
UK-Declaration of Conformity WAGO GmbH & Co. KG	-	-														
<table border="1"> <thead> <tr> <th>Approval</th> <th>Standard</th> <th>Certificate Name</th> </tr> </thead> <tbody> <tr> <td>CCA DEKRA Certification B.V.</td> <td>EN 61535</td> <td>NTR NL-7969</td> </tr> <tr> <td>CCA DEKRA Certification B.V.</td> <td>EN 61984</td> <td>NTR NL-7848</td> </tr> <tr> <td>KEMA/KEUR DEKRA Certification B.V.</td> <td>EN 61535</td> <td>71-123229</td> </tr> <tr> <td>KEMA/KEUR DEKRA Certification B.V.</td> <td>EN 61984</td> <td>71-114944</td> </tr> </tbody> </table>	Approval	Standard	Certificate Name	CCA DEKRA Certification B.V.	EN 61535	NTR NL-7969	CCA DEKRA Certification B.V.	EN 61984	NTR NL-7848	KEMA/KEUR DEKRA Certification B.V.	EN 61535	71-123229	KEMA/KEUR DEKRA Certification B.V.	EN 61984	71-114944	
Approval	Standard	Certificate Name														
CCA DEKRA Certification B.V.	EN 61535	NTR NL-7969														
CCA DEKRA Certification B.V.	EN 61984	NTR NL-7848														
KEMA/KEUR DEKRA Certification B.V.	EN 61535	71-123229														
KEMA/KEUR DEKRA Certification B.V.	EN 61984	71-114944														

Downloads

Environmental Product Compliance	
Compliance Search	
Environmental Product Compliance 774-9293/017-101	↓