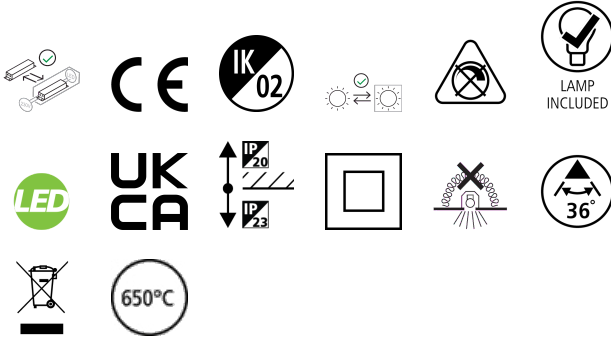


# INSET TREND KIT SW REFLED ES50 36° BN WW DIM

Item No: 3001762

**SYLVANIA**

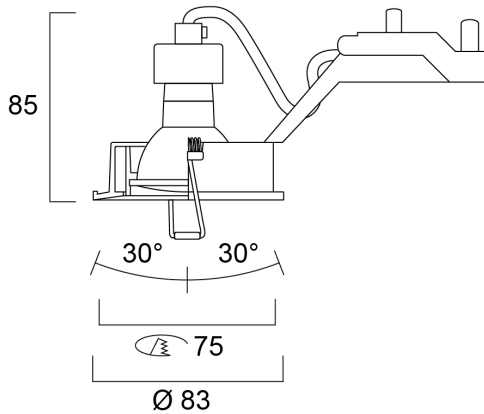
**PRO**



GU10 Housing with REFLED ES50 36° lamp included, Ideal for indoor application, Loop in - loop out box included

## Technical Assets

### Dimensions (mm)



### Photometrics

# INSET TREND KIT SW REFLED ES50 36° BN WW DIM

Item No: 3001762

**SYLVANIA**

## General data

Product name	INSET TREND KIT SW REFLED ES50 36° BN WW DIM
Technology	LED
Cap/Base	GU10
Housing	Aluminium
Mount	Ceiling recessed mounting
Environment	Indoor
General application	Hospitality, Residential & Consumer
ETIM Class	EC001744
E-number FI	4271313
E-number SE	7467393
Warranty	3 years

## Optical data

Useful luminous flux ( $\Phi_{use}$ )	345
Fixture luminous flux (lm)	345
Luminaire efficacy (lm/W)	76
LOR (%)	100
Correlated colour temperature (k)	3000
Light colour	Warm White
CRI (Ra)	80
Colour Variation Initial (SDCM)	SDCM6
Adjustable chromaticity	N
Beam Angle (°)	36
Distribution type	Symmetric
Photobiological Risk Group	RG1

## Electrical data

Light source included	0029126
Total power consumption (W)	4.5
Primary Supply/Product voltage - min (V)	220
Primary Supply/Product voltage - max (V)	240
Electrical protection	Class II
Control gear type	LED driver constant current
Dimmable	No
Dimming method	Mains: leading / trailing edge
Energy Efficiency Class (A->G) of contained light source	F
Connectable conductor cross section - Min (mm <sup>2</sup> )	0.75
Connectable conductor cross section - Max (mm <sup>2</sup> )	2.0

## Physical data

Housing colour	White
IP rating	IP23/20
IK rating	IK02
Diffuser finish	Other
Diffuser material	None
Reflector finish	Not Applicable
Nominal Product Height (mm)	85
Nominal Product Diameter (mm)	83
Weight (kg)	0.179
Recessed Depth (mm)	100

# INSET TREND KIT SW REFLED ES50 36° BN WW DIM

Item No: 3001762

**SYLVANIA**

## Packaging

Product EAN number	8711971017622
Packaging single length / height (cm)	13.13
Packaging single width (cm)	9.9
Packaging single depth (cm)	8.4
DUN14 (inner)	18711971017629
Units per outer package	30
Packaging outer length / height (cm)	28.5
Packaging outer width (cm)	28.7
Packaging outer depth (cm)	53.0

## Safety data

Glow Wire Test (°C)	650
---------------------	-----