

# INSET TREND 75 SW ES50 BN EX-LMP

Item No: 3083510

**SYLVANIA**

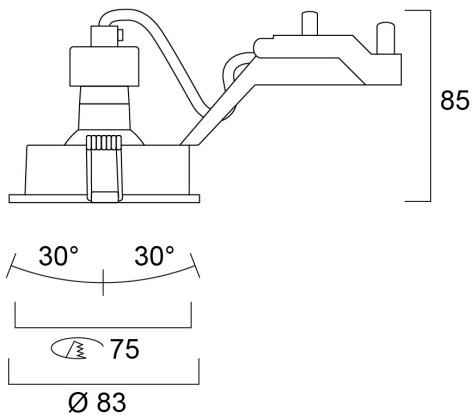
**PRO**



75mm cut out. 2 x 30° Tilt. Round bezel.

## Technical Assets

### Dimensions (mm)



### Photometrics

# INSET TREND 75 SW ES50 BN EX-LMP

Item No: 3083510

**SYLVANIA**

## General data

Product name	INSET TREND 75 SW ES50 BN EX-LMP
Technology	LED/Halogen
Cap/Base	GU10
Housing	Aluminium
Mount	Ceiling recessed mounting
Environment	Indoor
General application	Hospitality, Residential & Consumer
ETIM Class	EC001744
E-number SE	7464290
Warranty	3 years

## Optical data

LOR (%)	Dependent on lamp
Light colour	N/A
Adjustable chromaticity	N

## Electrical data

Light source included	Fixture without Lightsource
Primary Supply/Product voltage - min (V)	230
Primary Supply/Product voltage - max (V)	240
Electrical protection	Class II
Nominal Frequency (Hz)	50/60Hz

## Physical data

Housing colour	Aluminium
IP rating	IP23/20
IK rating	IK02
Nominal Product Length (mm)	83
Nominal Product Width (mm)	83
Nominal Product Height (mm)	85
Weight (kg)	0.135
Recessed Depth (mm)	100

## Packaging

Product EAN number	8711971835103
Packaging single length / height (cm)	13.4
Packaging single width (cm)	10.1
Packaging single depth (cm)	7.0
DUN14 (inner)	18711971835100
Units per outer package	30
Packaging outer length / height (cm)	23.9
Packaging outer width (cm)	28.9
Packaging outer depth (cm)	53.1