

Technische Daten/ Technical Data

KLUDI-ASANA
head shower 1 S
325mm
DN 15

Ref.: 69210N2-00

Finishes:
N2 Brushed Gunmetal PVD

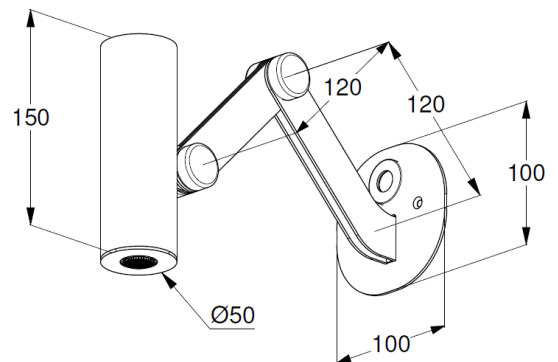
Product description
Manufacturer KLUDI GmbH & Co. KG
Typ: KLUDI-ASANA
head shower 1 S
Ref.: 69210N2-00

head shower 1 S
1 spray pattern (spray)
with cleaning system
flow rate at 3 bar 10 l/min.
connection G1/2
with fixing material
wall mounted
projection max. 270mm
with adjustable showerarm

Produktabbildung/ Product picture



Maßzeichnung/ Dimensional drawing



Durchfluss/ Flow rate

