

TARA Single-hole basin mixer with raised base without pop-up waste - Brushed Dark Platinum

TARA

22 533 892 Product version from 6/30/2009 to 5/27/2021



- 200mm projection
- pivotable spout 360°
- circular, air-enriched flow
- height of mixer 425 mm
- height up to aerator 280 mm
- hole diameter 35 mm
- rosette Ø 59 mm
- 2x screw-in M 10 x 1 pressure hose, leak-tested
- max. flow 7 l/min
- lead-free
- This product can help a building meet the requirements of Green Building Rating Systems, e.g. LEED®, BREEAM®, DGNB
- WRAS

for use on bowl sink.

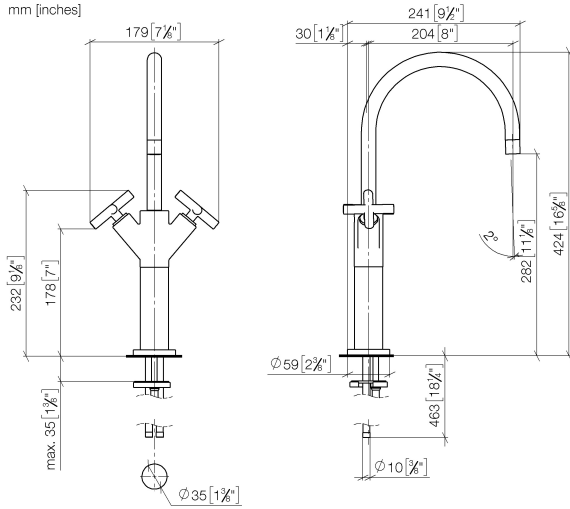
| | | |
|---|--------------------------------|---------------|
|  | Brushed Dark Platinum | 22 533 892-99 |
|  | Chrome | 22 533 892-00 |
|  | Brushed Platinum | 22 533 892-06 |
|  | Platinum | 22 533 892-08 |
|  | Dark Chrome | 22 533 892-19 |
|  | Brushed Durabronze (23kt Gold) | 22 533 892-28 |
|  | Matte Black | 22 533 892-33 |
|  | Brushed Gold (PVD) | 22 533 892-37 |
|  | Brushed Dark Brass (PVD) | 22 533 892-39 |
|  | Brushed Bronze (PVD) | 22 533 892-42 |
|  | Brushed Dark Bronze (PVD) | 22 533 892-43 |
|  | Brushed Champagne (22kt Gold) | 22 533 892-46 |
|  | Champagne (22kt Gold) | 22 533 892-47 |
|  | Brushed Chrome | 22 533 892-93 |

TARA Single-hole basin mixer with raised base without pop-up waste - Brushed Dark Platinum

TARA

22 533 892 Product version from 6/30/2009 to 5/27/2021

mm [inches]



Flow rate chart



Codes & Standards

| | | | |
|------------------------|-----------------------------|--------------------------|------------|
| DIN 4109 | EN 200 | Executive Order no. 1007 | ISO 3822 |
| Scottish Water Byelaws | UK Water Supply Regulations | Ü-Zeichen | VA-Zeichen |



TARA Single-hole basin mixer with raised base without pop-up waste - Brushed
Dark Platinum

TARA

22 533 892 Product version from 6/30/2009 to 5/27/2021

Certificates and sustainability

ETA_18

WRAS_240702

LGA_18

GDV_0400

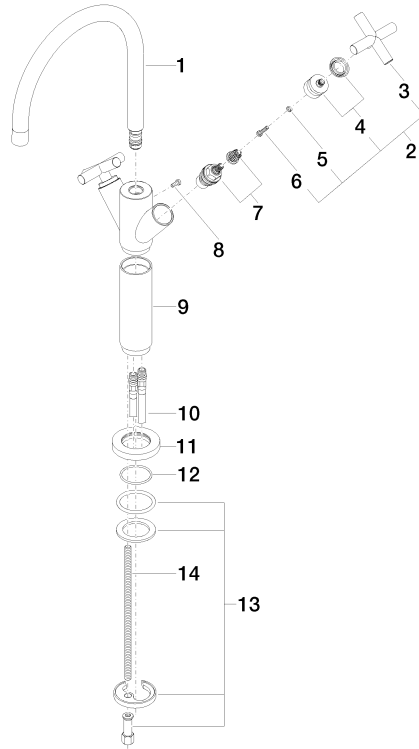
EPD-DOR-20230287
-IBA1-EN
Environmental.prod
uct-declarat

TARA Single-hole basin mixer with raised base without pop-up waste - Brushed Dark Platinum

TARA

22 533 892 Product version from 6/30/2009 to 5/27/2021

Parts for other finishes can be found here: [Chrome](#)



Spare parts list

| No. | Item Number | Name | Quantity used | Delivery time |
|--|-----------------------|--|---------------|---------------|
| | 10 04 30 04 105 00 90 | High pressure hose M10x1 x 3/8" x 600 mm - | 2.00 | 14 |
| | 8 09 30 30 054 90 | Mounting Cylinder head screw with hexagon socket with low profile M4 x 10 mm - | 1.00 | 14 |
| | 12 09 14 10 134 90 | O-Ring 35,2 x 2,2 mm - | 1.00 | 14 |
| | 14 09 31 11 000 90 | Mounting Threaded bolt M8 x 200 mm - | 1.00 | 14 |
| | 1 90 28 22 214 01-99 | Spout 200 mm, 7 l/min. - Brushed Dark Platinum | 1.00 | 40 |
| | 13 04 30 11 038 00 90 | Mounting with O-ring Ø40 x 4mm Ø 52 x 1,5 mm - | 1.00 | 14 |
| | 7 90 90 03 151 00 90 | Head part clockwise closing 1/2" - | 2.00 | 14 |
| | 9 09 18 40 063-99 | Sleeve Ø 39,5 x 124 mm - Brushed Dark Platinum | 1.00 | 40 |
| | 2 90 20 89 010 10-99 | Handle TARA - Brushed Dark Platinum | 2.00 | 40 |
| | 11 09 28 10 132-99 | Rosette Ø 59 x Ø 35 x 9 mm - Brushed Dark Platinum | 1.00 | 40 |
| | 4 90 12 12 007 00-99 | Handle Socket retainer Ø 29 x 26 mm - Brushed Dark Platinum | 2.00 | 40 |
| | 3 09 20 89 010-99 | Handle 70 x 70 x 22,5 mm - Brushed Dark Platinum | 2.00 | - |
| Spare part can no longer be ordered, please order the replacement item | | | | |
| | 90208901010-99 | Handle TARA - Brushed Dark Platinum | | |
| | 5 90 30 11 029 00 90 | Connection Spring lock washer Ø 4 - | 2.00 | 14 |
| | 6 90 30 30 075 00 90 | Mounting Cylinder head screw with hexagon socket Low profile M4 x 20 mm - | 2.00 | 14 |