

BI-GA8685 Installation manual / Installatie handleiding

GA8685 Rail / Clamp set for H beam / GA8685 Kikkerplaat set voor H profiel

- To use for the HR-serie (HR30 up to HR120) and the wall console set GA8580
- Toepasbaar voor de HR-serie (HR30 t/m HR120) en Muurconsole set GA8580

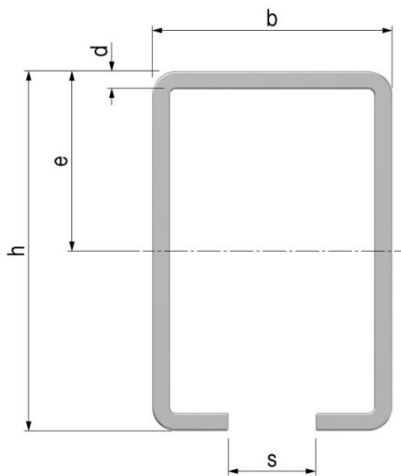


GA8685
Rail / Clamp set
Kikkerplaat set

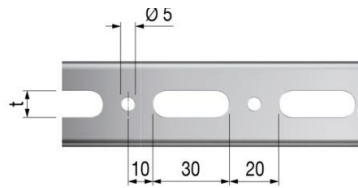
+ GA8580
Wall console set
Muurconsole set

+ HR heater
HR30 - HR120

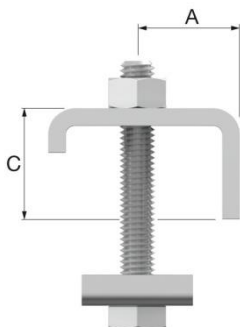
- Rail R6: L 1000mm (3x)



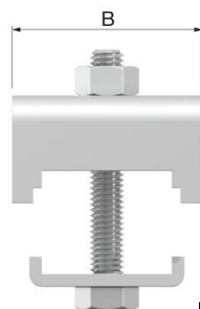
b = 40 mm
d = 3 mm
e = 30 mm
h = 60 mm
s = 14,5 mm
t = 13,5 mm




- Rail / Beam connection (6x), Rail / Profiel montage (6x)



A = 20 mm
B = 50 mm
C = 15 mm
M10 x 100 mm



h max = 15 mm

M  = 25 Nm



- Rail / wall console connection, Rail / muurconsole montage

- | | | | | |
|----------------|---|-----------|----------------------|------|
| • Bolt | / | Bout | M10 x 85 mm | (6x) |
| • Washer | / | sluitring | Ø30 x Ø10,6 x 2,5 mm | (6x) |
| • Washer | / | sluitring | Ø20 x Ø10,6 x 2 mm | (6x) |
| • Locking nut/ | | Borgmoer | M10 | (6x) |



- Rail cap (6x) Rail eindkap (6x)

