

BI-GA8685 Installation manual / Installatie handleiding

GA8685 Rail / Clamp set for H beam / GA8685 Kikkerplaat set voor H profiel

- To use for the HR-serie (HR30 up to HR120) and the wall console set GA8580
- Toepasbaar voor de HR-serie (HR30 t/m HR120) en Muurconsole set GA8580

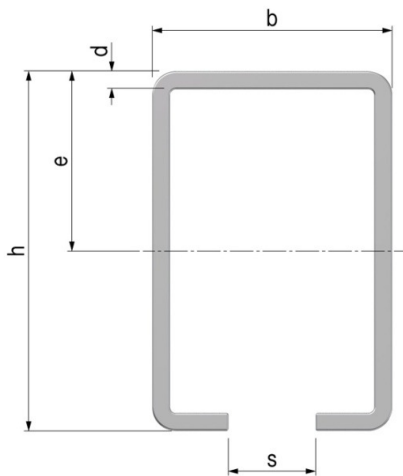


GA8685
Rail / Clamp set
Kikkerplaat set

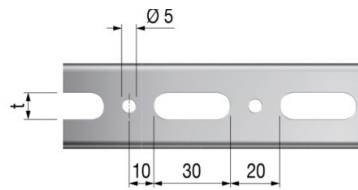
+ GA8580
Wall console set
Muurconsole set

+ HR heater
HR30 - HR120

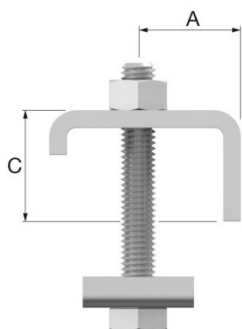
- Rail R6: L 1000mm (3x)



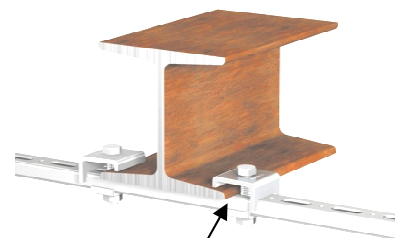
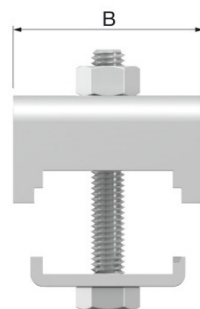
- b = 40 mm
- d = 3 mm
- e = 30 mm
- h = 60 mm
- s = 14,5 mm
- t = 13,5 mm



- Rail / Beam connection (6x), Rail / Profiel montage (6x)



- A = 20 mm
- B = 50 mm
- C = 15 mm
- M10 x 100 mm



h max = 15 mm
M ↻ = 25 Nm



- **Rail / wall console connection, Rail / muurconsole montage**

- | | | | | |
|----------------|---|-----------|----------------------|------|
| • Bolt | / | Bout | M10 x 85 mm | (6x) |
| • Washer | / | sluitring | Ø30 x Ø10,6 x 2,5 mm | (6x) |
| • Washer | / | sluitring | Ø20 x Ø10,6 x 2 mm | (6x) |
| • Locking nut/ | | Borgmoer | M10 | (6x) |



- **Rail cap (6x) Rail eindkap (6x)**

