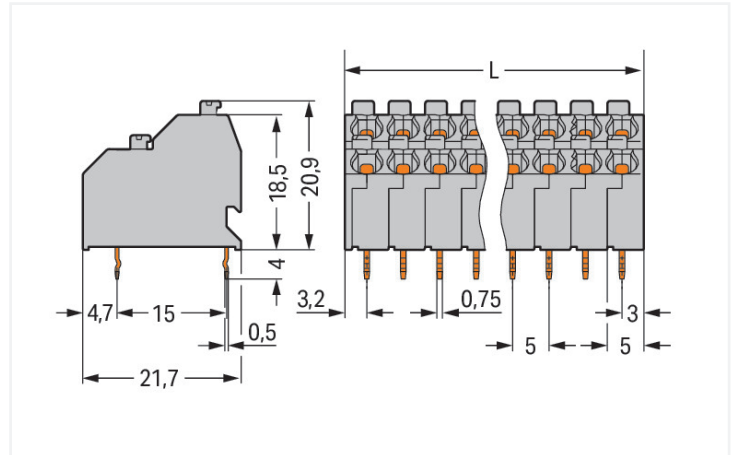
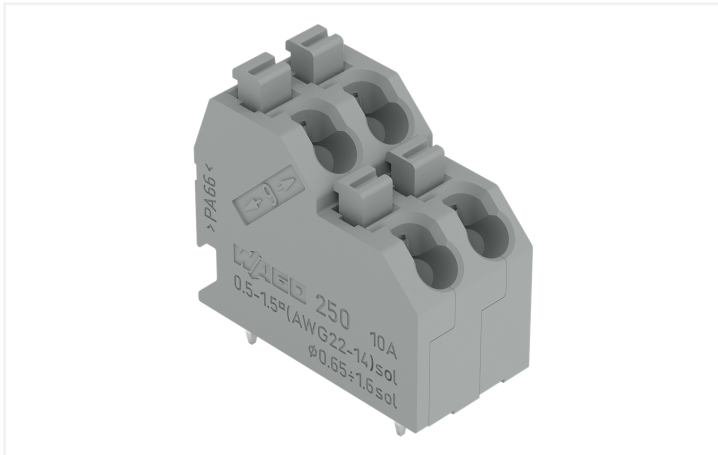


# Data Sheet | Item Number: 250-703

Double-deck PCB terminal block; push-button; 1.5 mm<sup>2</sup>; Pin spacing 5 mm; 6-pole; Push-in CAGE CLAMP®; agate gray

<https://www.wago.com/250-703>



Color: ■ agate gray

Similar to illustration

Dimensions in mm  
 $L = ((\text{Polzahl} / 2) \times \text{Rastermaß}) + 1,2 \text{ mm}$

## PCB terminal block, 250 Series, push-button

Our PCB terminal block (item number 250-703) is designed for seamless electrical installations. It is perfect for custom installations with different mounting types. Conductors can only be connected to this PCB terminal block if their strip length is between 9 and 10 mm. Featuring one conductor terminal along with Push-in CAGE CLAMP®, this product delivers reliable performance. Push-in CAGE CLAMP® connection technology is ideal for connecting all conductor types. It allows direct insertion of both solid and fine-stranded conductors with ferrules without needing to use any tools—all thanks to its pluggable design. Dimensions: (16.2 x 24.9 x 21.7) mm (width x height x depth). Depending on the conductor type, this PCB terminal block is designed for conductor cross sections ranging from 0.5 mm<sup>2</sup> to 1.5 mm<sup>2</sup>. Tin is used for coating the contact surfaces. This PCB terminal block is operated with a push-button. THT is used to solder the PCB terminal block. Insert the conductor into the board at an angle of 45°.

### Notes

Variants:

Other pole numbers  
 Other colors  
 Direct marking  
 Other versions (or variants) can be requested from WAGO Sales or configured at <https://configurator.wago.com/>.

### Electrical data

| Ratings per                     | IEC/EN 60664-1 |       |       |
|---------------------------------|----------------|-------|-------|
| Overvoltage category            | III            | III   | II    |
| Pollution degree                | 3              | 2     | 2     |
| Nominal voltage                 | 320 V          | 320 V | 630 V |
| Rated impulse withstand voltage | 4 kV           | 4 kV  | 4 kV  |
| Rated current                   | 10 A           | 10 A  | 10 A  |

| Approvals per | UL 1059 |   |       |
|---------------|---------|---|-------|
| Use group     | B       | C | D     |
| Rated voltage | 300 V   | - | 300 V |
| Rated current | 10 A    | - | 10 A  |

| Approvals per | CSA   |   |       |
|---------------|-------|---|-------|
| Use group     | B     | C | D     |
| Rated voltage | 300 V | - | 300 V |
| Rated current | 10 A  | - | 10 A  |

## Connection Data

|                            |   |
|----------------------------|---|
| Clamping units             | 6 |
| Total number of potentials | 6 |
| Number of connection types | 1 |
| Number of levels           | 2 |

## Connection 1

|   |   |
|---|---|
| Connection technology                             | Push-in CAGE CLAMP®   |
| Actuation type                                    | Push-button   |
| Solid conductor                                   | 0.5 ... 1.5 mm <sup>2</sup> / 20 ... 16 AWG   |
| Fine-stranded conductor                           | 0.75 ... 1.5 mm <sup>2</sup>  |
| Fine-stranded conductor; with insulated ferrule   | 0.5 ... 1 mm <sup>2</sup>   |
| Fine-stranded conductor; with uninsulated ferrule | 0.5 ... 1 mm <sup>2</sup>   |
| Note (conductor cross-section)                    | Fine-stranded conductor 0.75 ... 1.5 mm <sup>2</sup> (I max. 4 A)<br>Fine-stranded conductor 0.5 mm <sup>2</sup> (I max. 2 A) |
| Strip length                                      | 9 ... 10 mm / 0.35 ... 0.39 inches  |
| Conductor connection direction to PCB             | 45 °  |
| Pole number                                       | 6   |

## Physical data

|                         |                                   |
|-------------------------|-----------------------------------|
| Pin spacing             | 5 mm / 0.197 inches               |
| Width                   | 16.2 mm / 0.638 inches            |
| Height                  | 24.9 mm / 0.98 inches             |
| Height from the surface | 20.9 mm / 0.823 inches            |
| Depth                   | 21.7 mm / 0.854 inches            |
| Solder pin length       | 4 mm                              |
| Solder pin dimensions   | 0.5 x 0.75 mm                     |
| !                       | 1.2 <sup>(-0.1 ... +0.1)</sup> mm |

## PCB contact

|                                     |  |
|-------------------------------------|--|
| PCB contact                         | THT                                      |
| Solder pin arrangement              | over the entire terminal strip (in-line) |
| Number of solder pins per potential | 1  |

## Material data

|                                    |  |
|------------------------------------|--|
| Note (material data)               | <a href="#">Information on material specifications can be found here</a> |
| Color                              | agate gray   |
| Material group                     | I  |
| Insulation material (main housing) | Polyamide (PA66)   |
| Flammability class per UL94        | V0   |
| Clamping spring material           | Chrome-nickel spring steel (CrNi)  |
| Contact material                   | Electrolytic copper (E <sub>cu</sub> )                                   |
| Contact Plating                    | Tin  |
| Fire load                          | 0.251 MJ   |
| Weight                             | 5.9 g  |

### Environmental requirements

|                         |                 |
|-------------------------|-----------------|
| Limit temperature range | -60 ... +105 °C |
|-------------------------|-----------------|

### Commercial data

|                       |                                |
|-----------------------|--------------------------------|
| Product Group         | 4 (Printed Circuit Connectors) |
| PU (SPU)              | 180 (45) pcs                   |
| Packaging type        | Box                            |
| Country of origin     | PL                             |
| GTIN                  | 4044918300896                  |
| Customs tariff number | 85369010000                    |

### Product Classification

|             |                      |
|-------------|----------------------|
| UNSPSC      | 39121409             |
| eCl@ss 10.0 | 27-44-04-01          |
| eCl@ss 9.0  | 27-44-04-01          |
| ETIM 9.0    | EC002643             |
| ETIM 10.0   | EC002643             |
| ECCN        | NO US CLASSIFICATION |

### Environmental Product Compliance

|                        |                         |
|------------------------|-------------------------|
| RoHS Compliance Status | Compliant, No Exemption |
|------------------------|-------------------------|

### Approvals / Certificates

#### General approvals



| Approval                               | Standard     | Certificate Name |
|--|--------------|------------------|
| CCA<br>DEKRA Certification B.V.        | EN 60947     | NTR NL 7833/2    |
| CCA<br>DEKRA Certification B.V.        | EN 60998     | NTR NL-7705/1    |
| CSA<br>DEKRA Certification B.V.        | C22.2        | 1132097          |
| DEKRA<br>DEKRA Certification B.V.      | EN 60947-7-4 | 71-141963        |
| KEMA/KEUR<br>DEKRA Certification B.V.  | EN 60947     | 2160584.18       |
| KEMA/KEUR<br>DEKRA Certification B.V.  | EN 60998     | 71-124629        |
| UL<br>UL International Germany<br>GmbH | UL 1059      | E45172           |

#### Declarations of conformity and manufacturer's declarations

| Approval  | Standard | Certificate Name |
|---|----------|------------------|
| EU-Declaration of Confor-<br>mity<br>WAGO GmbH & Co. KG | -        | -                |
| UK-Declaration of Confor-<br>mity<br>WAGO GmbH & Co. KG | -        | -                |

Approvals for marine applications



| Approval                                | Standard | Certificate Name |
|---|----------|------------------|
| ABS<br>American Bureau of Ship-<br>ping | -        | 24-0095975-PDA   |
| DNV<br>DNV GL SE                        | -        | TAE000016Z       |

Downloads

Environmental Product Compliance

| Compliance Search   |
|---|
| Environmental Product<br>Compliance 250-703 <a href="#">↓</a> |

Documentation

| Additional Information |            |                   |                   |
|------------------------|------------|-------------------|-------------------|
| Technical Section      | 03.04.2019 | pdf<br>2027.26 KB | <a href="#">↓</a> |

CAD/CAE-Data

| CAD data                               |
|--|
| 2D/3D Models 250-703 <a href="#">↓</a> |

| CAE data                                       |
|--|
| EPLAN Data Portal<br>250-703 <a href="#">↓</a> |
| ZUKEN Portal 250-703 <a href="#">↓</a>         |

PCB Design

|  |
|--|
| Symbol and Footprint<br>via SamacSys 250-703 <a href="#">↓</a>           |
| Symbol and Footprint<br>via Ultra Librarian<br>250-703 <a href="#">↓</a> |

**1 Compatible Products**

**1.1 Optional Accessories**

**1.1.1 Ferrule**

**1.1.1.1 Ferrule**



**Item No.: 216-241**  
 Ferrule; Sleeve for 0.5 mm<sup>2</sup> / 20 AWG; insulated; electro-tin plated; electrolytic copper; gastight crimped; acc. to DIN 46228, Part 4/09.90; white



**Item No.: 216-141**  
 Ferrule; Sleeve for 0.5 mm<sup>2</sup> / 20 AWG; un-insulated; electro-tin plated; electrolytic copper; gastight crimped; acc. to DIN 46228, Part 1/08.92



**Item No.: 216-242**  
 Ferrule; Sleeve for 0.75 mm<sup>2</sup> / 18 AWG; insulated; electro-tin plated; electrolytic copper; gastight crimped; acc. to DIN 46228, Part 4/09.90; gray



**Item No.: 216-262**  
 Ferrule; Sleeve for 0.75 mm<sup>2</sup> / 18 AWG; insulated; electro-tin plated; electrolytic copper; gastight crimped; acc. to DIN 46228, Part 4/09.90; gray



**Item No.: 216-142**  
 Ferrule; Sleeve for 0.75 mm<sup>2</sup> / 18 AWG; un-insulated; electro-tin plated; electrolytic copper; gastight crimped; acc. to DIN 46228, Part 1/08.92



**Item No.: 216-243**  
 Ferrule; Sleeve for 1 mm<sup>2</sup> / AWG 18; insulated; electro-tin plated; electrolytic copper; gastight crimped; acc. to DIN 46228, Part 4/09.90; red



**Item No.: 216-263**  
 Ferrule; Sleeve for 1 mm<sup>2</sup> / AWG 18; un-insulated; electro-tin plated; electrolytic copper; gastight crimped; acc. to DIN 46228, Part 4/09.90; red



**Item No.: 216-143**  
 Ferrule; Sleeve for 1 mm<sup>2</sup> / AWG 18; un-insulated; electro-tin plated; electrolytic copper; gastight crimped; acc. to DIN 46228, Part 1/08.92

**1.1.2 Marking**

**1.1.2.1 Marking strip**



**Item No.: 210-332/500-202**  
 Marking strips; as a DIN A4 sheet; MARKED; 1-16 (160x); Height of marker strip: 3 mm; Strip length 182 mm; Horizontal marking; Self-adhesive; white



**Item No.: 210-332/500-205**  
 Marking strips; as a DIN A4 sheet; MARKED; 1-32 (80x); Height of marker strip: 3 mm; Strip length 182 mm; Horizontal marking; Self-adhesive; white



**Item No.: 210-332/500-204**  
 Marking strips; as a DIN A4 sheet; MARKED; 17-32 (160x); Height of marker strip: 3 mm; Strip length 182 mm; Horizontal marking; Self-adhesive; white



**Item No.: 210-332/500-206**  
 Marking strips; as a DIN A4 sheet; MARKED; 33-48 (160x); Height of marker strip: 3 mm; Strip length 182 mm; Horizontal marking; Self-adhesive; white

**1.1.3 Test and measurement**

**1.1.3.1 Testing accessories**



**Item No.: 210-136**  
 Test plug; 2 mm Ø; with 500 mm cable; red

**1.1.4 Tool**

**1.1.4.1 Operating tool**

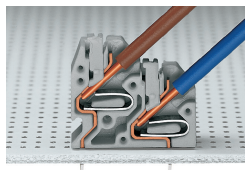


**Item No.: 210-719**  
 Operating tool; Blade: 2.5 x 0.4 mm; with a partially insulated shaft

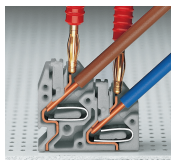


**Item No.: 210-647**  
 Operating tool; Blade: 2.5 x 0.4 mm; with a partially insulated shaft; multicoloured

## Installation Notes



Space-saving wiring – push-in termination of solid conductors.



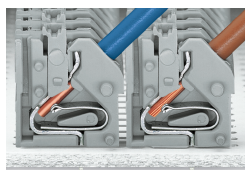
Testing with 2 mm Ø test plug – touch contact.

## Conductor termination



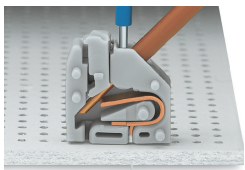
Inserting solid conductors via push-in termination.  
Inserting fine-stranded conductors via push-buttons, 250 Series – 3.5 mm pin spacing.

## Conductor termination

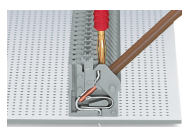


Space-saving wiring, 250 Series – 5 mm pin spacing.

## Testing

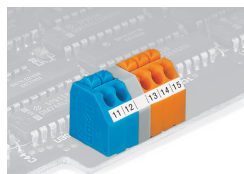
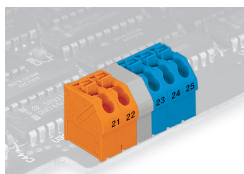


Testing with 11 mm Ø test pin, on the conductor, 250 Series – 2.5 ... 3.5 mm pin spacing.



Testing with 2 mm Ø test plug, touch contact, 250 Series – 5 mm pin spacing.

Marking



Labeling via self-adhesive strips or direct marking. Mixed-color terminal strips (with or without spacer) are available upon request.

Labeling via self-adhesive strips or direct marking. Mixed-color terminal strips (with or without spacer) are available upon request.